

**Portable Air Conditioner – DAC 900 I  
– DAC 1200 I**

*Please read this manual carefully before use and keep it for future reference.*

---

---

# CONTENTS.

---

	<b>Page</b>
Introduction . . . . .	1
Features . . . . .	2
Specification . . . . .	2
Important Safeguards . . . . .	3
Energy Saving Tips . . . . .	3
Parts . . . . .	4
Accessories . . . . .	5
Installation . . . . .	5
Operation . . . . .	8
Drainage . . . . .	9
Maintenance . . . . .	11
Trouble Shooting Guide . . . . .	12
Warranty . . . . .	14

---

---

## Introduction.

---

Thank you for choosing a Dimplex portable air conditioner. This manual contains information, regulations and warnings which are of fundamental importance if the appliance is to be installed correctly and the highest performance, in the safest possible conditions is to be obtained. We suggest that you read the manual carefully before installing or starting up the appliance.

These new Dimplex appliances represent the most highly developed air conditioning units available today.

---

---

## Features

---

The air-conditioning unit is of the mono tube type, transportable (on wheels) with air/air operating system for domestic use and has 3 settings.

- Ventilate/Fan.
- Cool.
- Dehumidify.

The ventilation mode "moves" the air allowing for its recycling much like a fan.

The cooling mode, a refrigerating circuit (compressor), cools the room by transferring the heat from inside to outside through the air exhaust hose. While cooling, the air-conditioning unit also dehumidifies the room air.

Dehumidification, in the cooling mode your air-conditioner does remove moisture from the air however another feature of this machine it can be set up to operate as a dehumidifier with greater moisture removal performance.

---

---

<b>Specifications.</b>	<b>DAC900 I</b>	<b>DAC I200 I</b>
Cooling Capacity	9000BTU/hr 2270Kcal/hp 2638 watts	12000BTU/hr 3024Kcal/hp 3529 watts
Power consumption	830 Watts	850 Watts
Air Volume (max setting)	470m <sup>3</sup> /h	520m <sup>3</sup> /h
Humidity removal capacity	26L/day	31L/day
Net weight	29kg	31kg
Power supply	230-240V/50Hz	230-240V/50Hz
Compressor	Rotary	Rotary
Refrigerant	R22	R22
Fan Speed	2	2
Timer	1-8 hours	1-8 hours
Thermostat	18-32°C	18-32°C
Dimension(WxDxH)	377x400x750 mm	377x400x750 mm
Test Conditions	Temperature 27°C Humidity 60%	Temperature 27°C Humidity 60%

---

---

---

## **IMPORTANT SAFEGUARDS.**

---

- The air conditioning unit must always be stored and transported upright, otherwise you may cause irreparable damage to the compressor; in case of doubt we suggest you wait for at least 24 hours before you start the air-conditioning unit.
- Avoid restarting the air conditioning unit unless 4 minutes have passed since its turned off or the compressor may get damaged.
- Never use the mains plug as a switch to start and turn off the air conditioning unit. Use the provided ON/OFF switch located on the control panel.
- Always place the portable air conditioner on a stable surface.
- Connect the portable air conditioner to a correct wall socket.
- Mount the exhaust hose on the portable air conditioner.
- The air conditioning unit should only be used by adults: do not allow children to play with it.

---

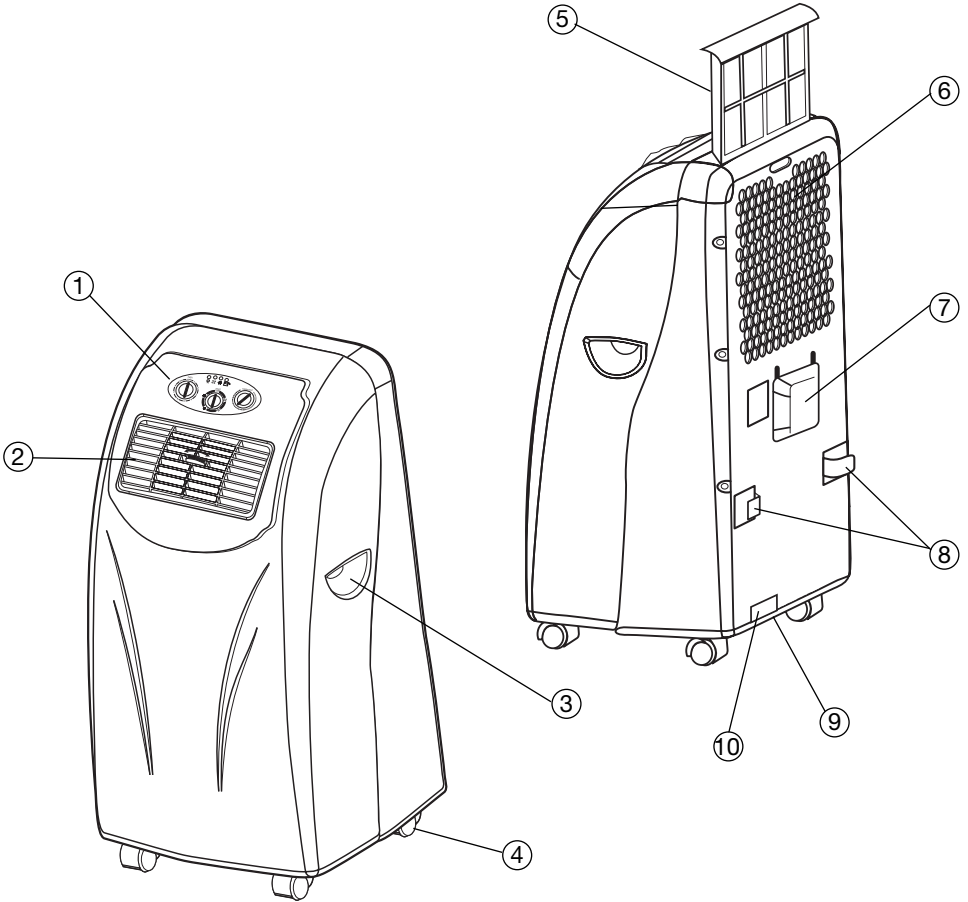
---

## **ENERGY SAVING TIPS.**

---

- Do not cover or restrict the airflow from the Outlet or Inlet grills. The minimum distance from furniture and walls should be 50cm.
- Keep blinds and/or draperies on any windows, closed during the sunniest part of the day.
- Keep the filter clean. Under normal conditions, the filters should be cleaned approximately every 30 days. Since the filters remove airborne particles, more frequent cleaning maybe necessary, depending on the indoor air quality.
- Set the fan speed switch to high cool and the thermostat to the coolest position for the initial start-up, then set the Fan switch to low cool and lower the thermostat to a comfortable setting.

• Please read the instructions carefully and save them in a safe place for future reference.



---

---

## Know your Air Conditioner.

---

- |                       |                                       |
|-----------------------|---------------------------------------|
| 1. Control panel      | 6. Air inlet                          |
| 2. Cooling air outlet | 7. Exhaust air outlet                 |
| 3. Handle             | 8. Cord hanger                        |
| 4. Castor             | 9. Water stopper (rubber plug inside) |
| 5. Air filter         | 10. Water inlet draw                  |

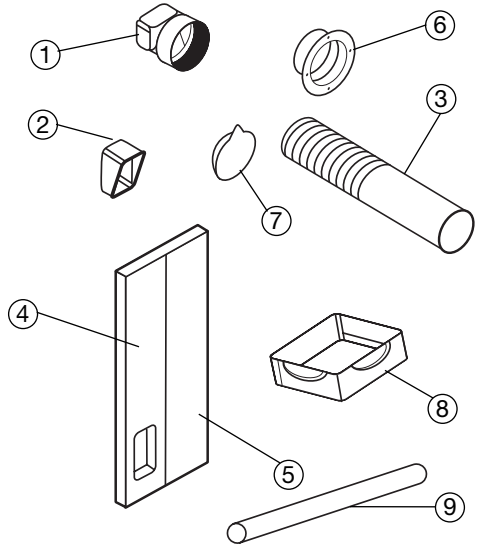
---

---

## Accessories.

---

1. Adaptor - for insertion over hose and into back of the air conditioner.
2. Adaptor - for insertion over hose and into foam strip.
3. Exhaust hose
4. Foam strip - for filling the open window space and with hole for connection to exhaust hose.
5. Foam strip - for filling the open window space.
6. Round window connector.
7. Cap for round window connector.
8. Water tray.
9. Drain hose.



---

---

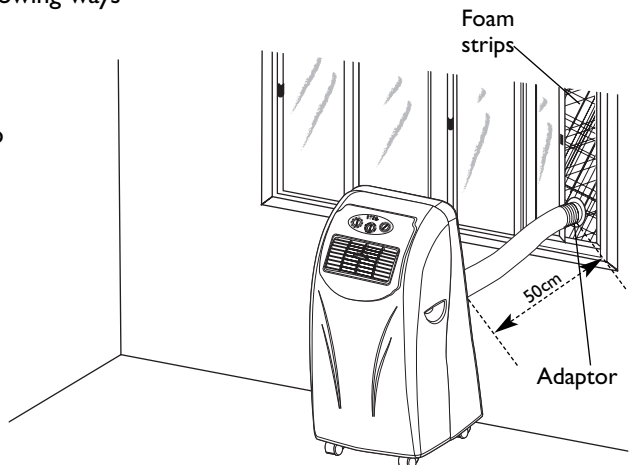
## INSTALLATION



---

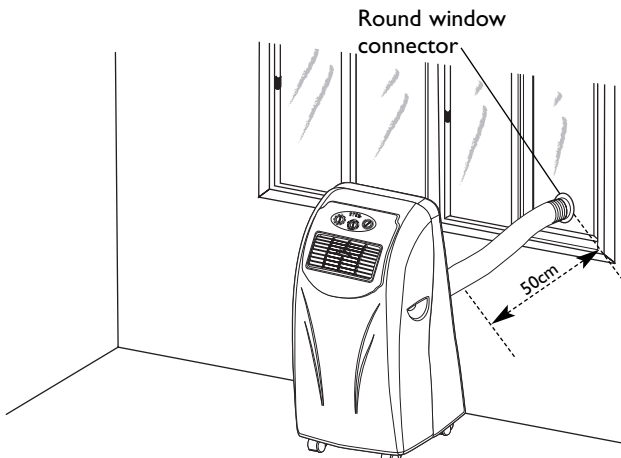
### Mounting of the unit

This unit is a PORTABLE AIR CONDITIONER. It can be moved from room to room, so the cooling can follow you anywhere. The mounting is easy, beneath a window or wall. Please refer to either of the following ways -

- I. Using the foam strips
  - Connect the supplied foam strips with the exhaust pipe, allowing the hot air to flow to the outside.
  - Should the foam strip(s) be too large, cut off the extra part to fit the window.
  - Minimum distance from the wall should be 50cm.

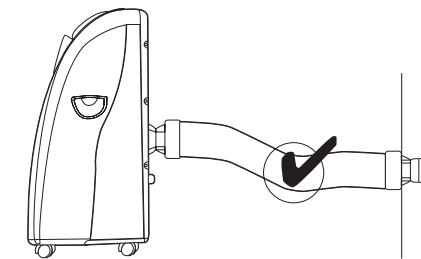


2. Using the round window connectors.
  - Make a hole (diameter 112mm) on the wall/glass to fit the supplied round window connector.
  - Take off the adaptor  (the one which does not connect with the unit), fit the hose directly to the round window connector.
  - When the hole is not in use. Use the cap  for the round window connector to cover the hole.

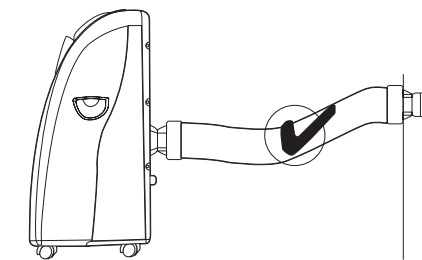


## Mounting of the exhaust pipe

1. The supplied exhaust hose can be extended from 50cm to 150cm for mounting. It is recommended that you use the hose in the shortest possible length.

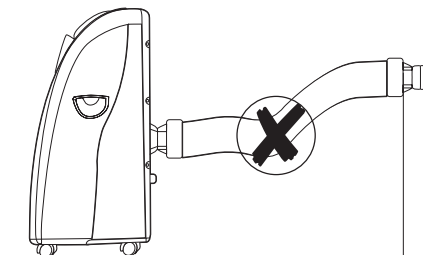


2. Take care to prevent any bow or bend in the middle of the exhaust hose, as this will trap hot exhaust air, which will radiate into the room and cause this unit to shut itself off due to overheating.



## WARNING!

*The length of the exhaust pipe is specially designed according to the specification of this product. Do not replace or extend it with your own private hose as this could cause the unit to malfunction AND VOIDS YOUR WARRANTY*



---

---

## Adding Water.

---

An added feature of these models.

Humidity absorbed from the air condenses at the Evaporator, turns into water and is collected in the internal tank. When enough water is collected it is pumped up and over the condenser, assisting the cooling of the refrigerated gas, increasing the COOLING CAPACITY. Some of this recycled water is evaporated at condenser and expelled from the machine as water vapour through the exhaust hose.

To utilise the full potential of your air conditioner from initial start up, we recommend that 800 mls of water be added to the internal water tank via the small draw located at the rear bottom left side of the machine.

Normally an adequate quantity of water is collected to keep the recycling process operating.

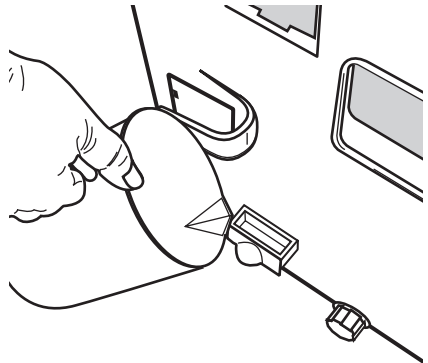
During very humid conditions the collection of water may over take the evaporation rate and the internal tank may become full.

The maximum water level in the tank is controlled by a float and micro switch, when the preset level is exceeded the indicator above the 'Power' Switch will light and the compressor will shut off automatically, the fan motor will stay on circulating the air.

At this time, you must empty the water tank as described "Drainage" page 9.

During low humidity it maybe necessary to add move water to the internal tank

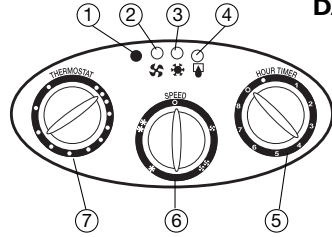
**If there is any doubt regards the quantity of water in the tank we suggest that you drain the tank and start again adding the 800 mls.**





# OPERATION

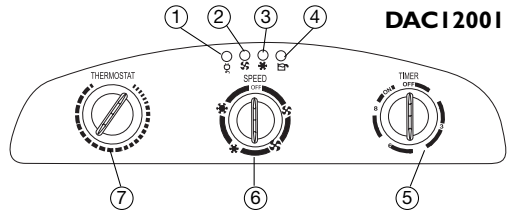
1. Power indicator
2. Fan operating indicator
3. Cooling operating indicator
4. FULL WATER indicator
5. Timer (1-8 hours) as well as ON/OFF switch
6. Speed switch with options for - LOW FAN, HIGH FAN, LOW COOL, HIGH COOL.
7. Thermostat



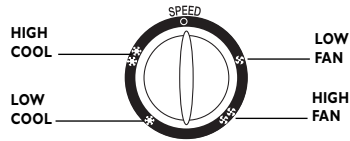
**DAC9001**

## Turning ON/OFF

- Set TIMER to ON for continuous operation (the unit will operate as long as it is not turned off). Power indicator comes on.
- To turn off the unit, turn the TIMER to OFF position.



**DAC12001**



## Set Timer

Set the TIMER to the desired operating time (1 to 8 hours). When the set time has been reached, the machine will shut off automatically.

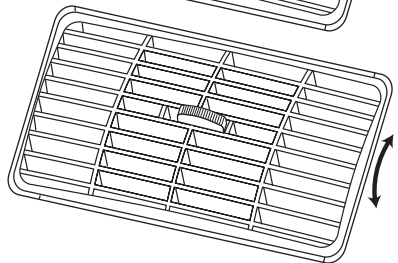
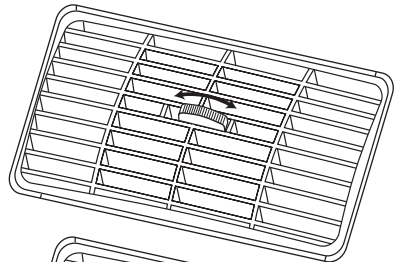
## Setting the Temperature

Turn the THERMOSTAT to regulate the temperature you desired. (This is for cooling mode only.)

## Regulating air flow direction

Turn the roller on air vent to control the air flow direction of the vertical louvres.

Move the air vent directly to adjust the air flow direction of the horizontal louvres.



## NOTICE!

*To prolong the compressor's life, the compressor will only work 3 minutes after you switch the unit on or re-switch on. The cooling system will switch off if the ambient temperature is lower than the set one. The ventilation however, keeps working on the set level. If the ambient temperature rises above the selected level, the cooling will return to work.*

---

---

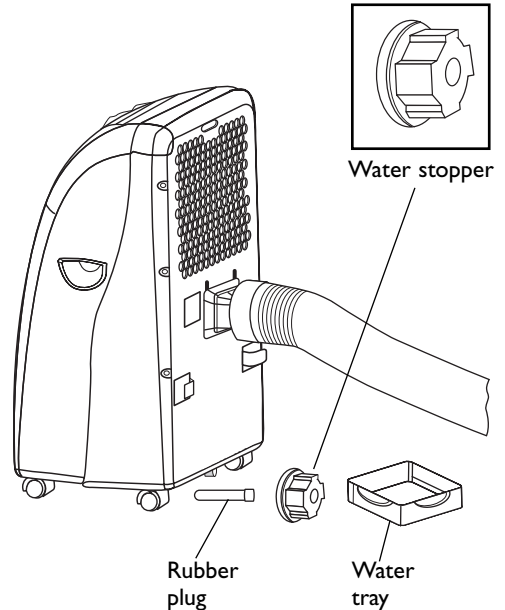
## DRAINAGE

---

During the process of cooling, water will be generated from the air and collected in the water tank inside the unit. When the tank is full, the compressor will stop and the Full Water indicator on the control panel will come on to remind you to empty the water tank. During this time the fan will continue to operate circulating the air. The water tank should be emptied as follows:

1. Turn off the unit.
2. Position the supplied plastic water tray, flat on the floor, under the drain hole.
3. Remove the water stopper and the rubber plug. Empty the condensed water from the air conditioner.
4. When the water tray is almost full, replace the rubber plug to stop the flow of water, empty the water tray.
5. Repeat step 2, 3, 4, till all the condensed water is emptied.
6. After all condensed water is drained, replace the rubber plug and water stopper.

The FULL WATER indicator should be off now.



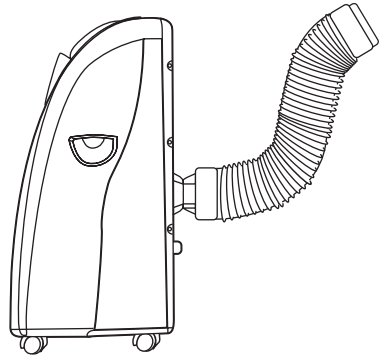
## ATTENTION!

1. All condensed water must be drained prior to relocation or storage.

## Dehumidification.

**NOTE!** *The machine operates in the cooling mode but it does not lower the room temperature. It absorbs the excessive humidity present in the air.*

1. Plug the unit into a proper electrical outlet.
2. Position the exhaust tube as shown or remove from the air-conditioner.
3. Turn the **TIMER** to position **ON** or 1 to 8 hours automatic timer setting.
4. Set the **FAN SPEED** control to the desired output of airflow, high or low.
5. Set the **THERMOSTAT** to the maximum cooling position.
6. When the water tank is full, the light above 'Power' switch will light and the compressor will shut off automatically, the fan will stay on circulating the air. At this time, you must empty the water tank as described "Draining the Condensed Water".



## Continuous Drainage.

In very humid conditions to avoid the unit from continually shutting down when the water tank is full the unit can also be continuously drained if a convenient drainage position is available.

### Important!

*The water is only gravity drained therefore the tube must lay lower and drain at a lower level than the outlet tube at the rear of the air conditioner.*

- Before operating the air conditioner, remove the water stopper, take out the rubber plug and connect a PVC tube 12mm diameter.

---

---

# MAINTENANCE

---

**Always unplug the unit from the mains before beginning the cleaning.**

## Cleaning the housing

- Use a soft, damp cloth to wipe the body clean.
- Never use aggressive chemicals, gasoline, detergents, chemically treated cloths, or other cleansing solutions. These all could possibly damage the cabinet.

## Cleaning the filter

- Use a vacuum cleaner or tap the filter lightly to remove loose dust and dirt from the filters and then rinse thoroughly under running water (no hotter than 40°C).
- Dry thoroughly before replacing.

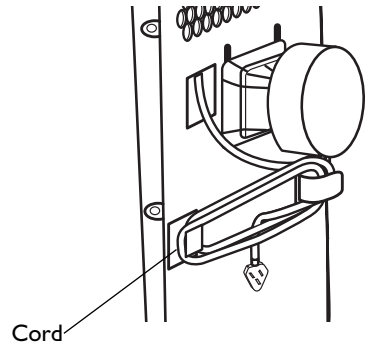
**NOTICE!** *Never operate the unit without the filters.*

## End of season storage

- Unplug the unit.
- Drain the condensed water **COMPLETELY** (Please refer to drainage clause).
- Clean or change the filter.
- Turn on the unit in ventilation mode for a couple of hours, so the inside can dry out completely.
- It is recommended that the unit be put back into the original carton for storage and do not stack heavy objects on top of the unit.

## Power cord storage

- When the unit is not in use, please store the power cord as per illustration opposite.



---

---

## **TROUBLE SHOOTING GUIDE.**

---

If the product is treated in the right manner, you should encounter no problems. In case of difficulties, please check the following points before consulting the maintenance service.

---

Product does not work	<ul style="list-style-type: none"><li>• Check whether the product is plugged in.</li></ul>
No cool air	<ul style="list-style-type: none"><li>• Has three minutes passed after switching on the unit, check whether the water tray is full.</li><li>• The room temperature should be in the operation range of 18°C-32°C</li><li>• Is the set temp higher than the room temp.</li><li>• Add water as described on page 7.</li></ul>
Weak ventilation performance	<ul style="list-style-type: none"><li>• Check if the exhaust hose blocked or kinked.</li><li>• Check if the filter is dusty.</li></ul>
The unit is noisy	<ul style="list-style-type: none"><li>• Check that the unit is setting on a level surface.</li></ul>

---

*After long usage, the product should be cleaned by a professional maintenance service centre.*