



# **DIRECT VENT GAS STOVE**

## **INSTALLATION AND OPERATING INSTRUCTIONS**

### **MODEL: MONTEREI**

**WARNING! IF THE INFORMATION IN THIS MANUAL IS NOT FOLLOWED EXACTLY, A FIRE OR EXPLOSION MAY RESULT CAUSING PROPERTY DAMAGE, PERSONAL INJURY OR LOSS OF LIFE.**

## **FOR YOUR SAFETY**

### ***WHAT TO DO IF YOU SMELL GAS***

- \* DO NOT TRY TO LIGHT ANY APPLIANCE.
- \* DO NOT TOUCH ANY ELECTRIC SWITCH;
- IMMEDIATELY CALL YOUR GAS SUPPLIER FROM YOUR NEIGHBOURS PHONE. FOLLOW THE GAS SUPPLIERS INSTRUCTIONS.
- IF YOU CAN NOT REACH YOUR GAS SUPPLIER, CALL THE FIRE DEPARTMENT (911)
- OPEN WINDOW/EXTINGUISH ALL FLAMES.

**DO NOT STORE OR USE GASOLINE OR OTHER FLAMMABLE VAPOURS AND LIQUIDS IN THE VICINITY OF THIS OR ANY OTHER APPLIANCE.**

- INSTALLATIONS AND SERVICE MUST BE PERFORMED BY A QUALIFIED INSTALLER, SERVICE AGENCY OR YOUR GAS SUPPLIER.

**PLEASE KEEP THIS MANUAL FOR FUTURE REFERENCE**

## **ATTENTION CONSUMERS**

IN ORDER TO ENSURE SAFE AND EFFECTIVE INSTALLATION, THIS UNIT MUST BE INSTALLED ONLY BY A QUALIFIED AGENCY, INDIVIDUAL, FIRM, CORPORATION, OR COMPANY THAT IS EXPERIENCED IN THE INSTALLATION, REPAIR AND SERVICING OF THIS TYPE OF APPLIANCE AND IS FAMILIAR WITH THE BUILDING CODES AND INSTALLATION TECHNIQUES APPROPRIATE IN YOUR AREA. CONTACT YOUR HEARTH PRODUCTS DEALER OR LOCAL GAS SUPPLIER FOR THE NAME OF A QUALIFIED SERVICE PERSON.

## **INSTALLERS**

PLEASE READ THIS MANUAL CAREFULLY BEFORE YOU BEGIN INSTALLATION PROCEDURES. FAILURE TO FOLLOW INSTRUCTIONS MAY RESULT IN PROPERTY DAMAGE, BODILY INJURY OR LOSS OF LIFE. THIS MANUAL CONTAINS IMPORTANT USER INFORMATION. KEEP THIS MANUAL WITH THE FIREPLACE AFTER INSTALLATION IS COMPLETE.

## **ATTENTION**

THE MONTEREI STOVE IS SHIPPED FROM THE FACTORY AS A DIRECT VENT NATURAL GAS FREESTANDING ROOM HEATER. TO CONVERT TO PROPANE PLEASE FOLLOW THE DIRECTIONS IN THIS MANUAL. ALL CONVERSIONS MUST BE CARED OUT BY A QUALIFIED AGENCY, INDIVIDUAL, FIRM, CORPORATION OR COMPANY THAT IS EXPERIENCED IN INSTALLATIONS AND REPAIRS.

## Contents

General Information	page 3
Venting requirements	page 7
Vent termination clearances	page 8
Assembly procedures	page 11
Installing the log set	page 15
Operation	page 17
Lighting and operating instructions	page 18
Remote control	page 19
Maintenance	page 22
Monterei components	page 25
Contacting Metal Fab	page 27

## General Information

The Monterey Direct Vent Room Heater, is a vented gas appliance listed to the ANSI standard Z21.88b-2001 and CSA-2.33b-2001 for Vented Room Heaters, and CSA 2.17- M91, Gas-Fired Appliances For Use at High Altitudes. This gas appliance has been tested in accordance with NZS5262:2003

The installation of the Monterey Direct Vent Room Heater must conform with local codes, or in the absence of local codes, with NZS5261 and AG601 and these instructions. (EXCEPTION: Do not derate this appliance for altitude. Maintain the manifold pressure at 0.747kPa for Natural Gas and 2.49kPa for LP gas at maximum input.) (RF only).

This appliance is only for use with the type of gas indicated on the rating plate. This appliance is not convertible for use with other gases unless a certified kit is used.

**Installation and replacement of gas piping, gas utilization equipment or accessories, and repair and servicing of equipment shall be performed only by a qualified agency. The term “qualified agency” means any individual, firm, corporation, or company that either in person or through a representative is engaged in and is responsible for (a) installation or replacement of gas piping, or (b), the connection, installation, repair, or servicing of equipment, who is experienced in such work, familiar with all precautions required, and has complied with all the requirements of the authority having jurisdiction.**

**The Monterey Direct Vent Room Heater should be inspected before use and at least annually by a qualified service agency. It is imperative that control compartments, burners, and circulating air passageways of the appliance be kept clean.**

The MontereyDirect Vent Room Heater and its individual shut-off valve must be disconnected from the gas supply piping during any pressure testing of that system at test pressures in excess of 3.5 kPa.

The MontereyDirect Vent Room Heater must be isolated from the gas supply piping system by closing its individual manual shutoff valve during any pressure testing of the gas supply piping system at test pressures equal to or less than 3.5kPa.

'Direct Vent' describes a sealed combustion system in which incoming outside air for combustion and outgoing exhaust enter and exit through two separate concentric passages within the same sealed vent system. The system does not use room air to support combustion. The Direct Vent system permits the gas appliance to be vented directly to the outside atmosphere through the side of the house or vertically through the roof. Conventional venting systems (Natural Vent) take air from the room for combustion and vent the exhaust vertically through the roof to the atmosphere.

This appliance is approved for bedroom installations.

This appliance may be installed in an aftermarket\* manufactured (mobile) home, where not prohibited by state or local codes.

**WARNING: Operation of this heater when not connected to a properly installed and maintained venting system can result in carbon monoxide (CO) poisoning and possible death.**

The MontereyDirect Vent Room Heater, when installed, must be electrically grounded in accordance with local codes or, in the absence of local codes, with AG 601,NZS 5261.

**Due to high temperatures this appliance should be located out of traffic and away from furniture and draperies.**

**WARNING: This appliance is hot while in operation. Keep children, clothing, and furniture away. Contact may cause burns or ignition of combustible materials.**

**Children and adults should be alerted to the hazards of high surface temperatures and should stay away to avoid burns or clothing ignition. Young children should be carefully supervised when they are in the same room as the appliance.**

**Clothing or other flammable materials should not be placed on or near the appliance. Any safety screen, glass or guard removed for servicing an appliance must be replaced prior to operating the appliance.**

**The appliance area must be kept clear and free from combustible materials, gasoline, and other flammable vapors and liquids.**

**The flow of combustion and ventilation air must not be obstructed. The installation must include adequate accessibility and clearance for servicing and proper operation.**

**WARNING: Do not operate the Room Heater with the glass panel removed, cracked or broken. Replacement of the panel should be done by a licensed or qualified service person.**

**Do not use this appliance if any part has been under water. Immediately call a qualified service technician to inspect the appliance and to replace any part of the control system and any gas control which has been under water.**

**Do not burn wood, trash or any other material for which this appliance was not designed. This appliance is designed to burn either natural gas or propane only.**

**This gas appliance must not be connected to a chimney flue serving a separate solid-fuel burning appliance.**

**CAUTION: Label all wires prior to disconnection when servicing controls. Wiring errors can cause improper and dangerous operation.**

**Verify proper operation after servicing.**

\* **Aftermarket:** Completion of sale, nor for purpose of resale, from the manufacturer.

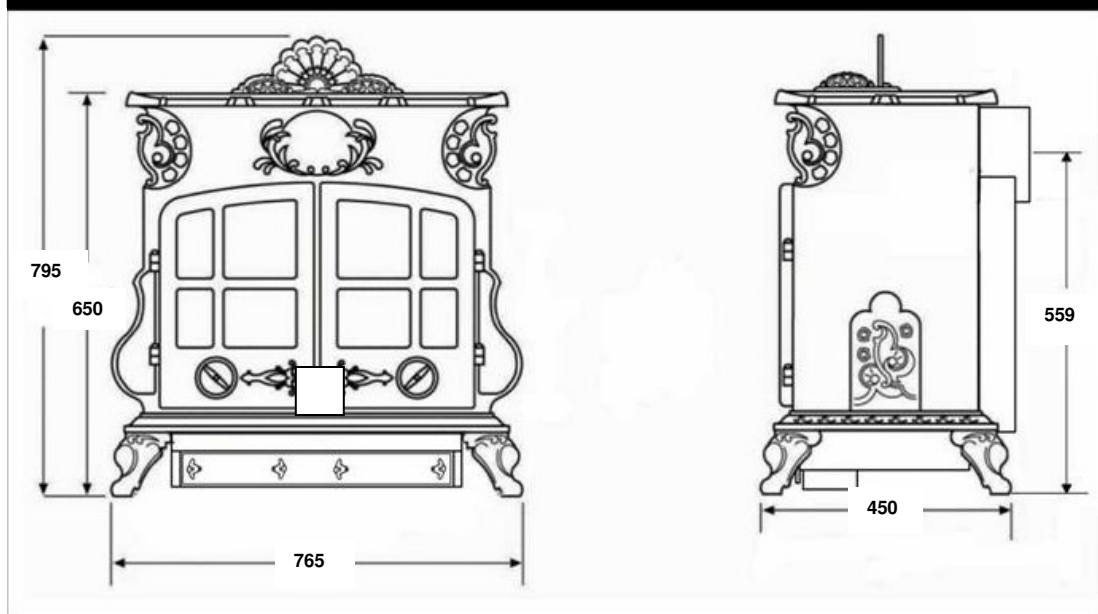
# Specifications

## MONTEREI DIRECT VENT GAS HEATER NATURAL GAS AND LIQUID PROPANE

**MONTEREI DIRECT VENT CERTIFIED TO:ANSI Z21.88b-2001 /CSA 2.33b-2001  
VENTED GAS FIREPLACE HEATERS**

FUEL	NG	LP
MANIFOLD PRESSURE – MIN/MAX	0.32/0.87 kPa	0.89/2.61 kPa
MIN. INLET SUPPLY PRESSURE FOR ADJUSTMENT	1.37 kPa	2.74 kPa
MAX. INLET SUPPLY PRESSURE FOR ADJUSTMENT:	3.49 kPa	3.49.kPa
INPUT MJ/H	28	24
IGNITION:	PIEZO	PIEZO
BURNER ORIFICE SIZE:	BRAY82/700	BRAY92/200

### MONTEREI STOVE DIMENSIONS



# Installation Requirements

THE INSTALLATION OF YOUR MASPORT STOVE MUST CONFORM WITH LOCAL CODES, OR IN THE ABSENCE OF LOCAL CODES, WITH AG 601, NZS 5261

THE INSTALLATION SHOULD BE DONE BY A QUALIFIED SERVICE PERSON WHO IS FAMILIAR WITH THE BUILDING CODES AND INSTALLATION TECHNIQUES APPROPRIATE FOR YOUR AREA TO ACCOMPLISH A SAFE AND EFFECTIVE INSTALLATION.

**WARNING:** DUE TO HIGH TEMPERATURES, THE HEATER SHOULD BE LOCATED OUT OF TRAFFIC AND AWAY FROM FURNITURE AND DRAPERIES.

THE SURFACE OF THE HEATER IS HOT WHEN IT IS IN USE. YOUNG CHILDREN SHOULD BE WATCHED CAREFULLY WHEN THEY ARE IN THE SAME ROOM WHEN THE HEATER IS IN USE. OBSERVE THE RECOMMENDED CLEARANCES THAT FOLLOW.

## HEARTH REQUIREMENTS

THE MONTEREI HEATER MUST BE INSTALLED ON RIGID FLOORING. WHEN THE HEATER IS INSTALLED DIRECTLY ON ANY COMBUSTIBLE SURFACE OTHER THAN WOOD FLOORING, A METAL OR WOOD PANEL EXTENDING THE FULL WIDTH AND DEPTH OF THE UNIT MUST BE USED AS A HEARTH.

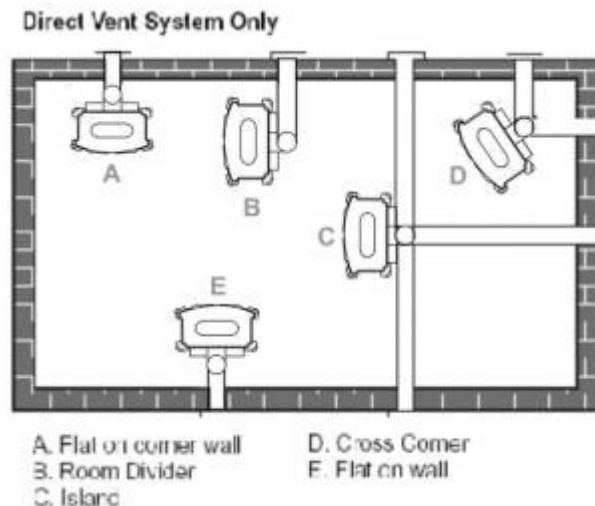


Fig.2

## KEEP THE STOVE A SAFE DISTANCE FROM SURROUNDING MATERIALS

THE MONTEREI HEATER WILL HEAT NEARBY SURFACES WHEN OPERATING. A SAFE INSTALLATION REQUIRES THAT ADEQUATE CLEARANCE BE MAINTAINED BETWEEN THE STOVE AND NEARBY COMBUSTIBLE MATERIALS TO ENSURE THAT SUCH MATERIALS DO NOT OVERHEAT. THE DIAGRAMS THAT FOLLOW ILLUSTRATE THE MINIMUM CLEARANCES FOR THE APPLIANCE IN PARALLEL, CORNER AND ALCOVE INSTALLATIONS.

## MINIMUM CLEARANCES TO COMBUSTIBLE MATERIALS

MEASURE SIDE CLEARANCES AS SHOWN IN FIGURES 5 AND 6 FROM THE OUTER EDGE OF THE CAST IRON STOVE TOP. MEASURE THE REAR CLEARANCES FROM THE OUTERMOST SURFACE OF THE STEEL REAR SKIRT.

THE MONTEREI IS APPROVED FOR ALCOVE INSTALLATION SEE FIG. 3.

## LOCATING THE STOVE

### IN CHOOSING A LOCATION FOR THE STOVE, CONSIDER:

- THE LOCATION OF THE OUTSIDE WALL:
- WHERE ADDITIONAL HEAT IS NEEDED:
- WHERE FAMILY MEMBERS GATHER MOST OFTEN:
- THE VENT SYSTEM REQUIREMENTS:

**NOTE:** WE DO NOT RECOMMEND THE USE OF WALLPAPER NEXT TO THIS STOVE. OVER TIME, RADIANT HEAT MAY CAUSE THE WALLPAPER TO SHRINK, OR MAY ADVERSELY AFFECT THE BINDERS IN THE WALLPAPER ADHESIVE.

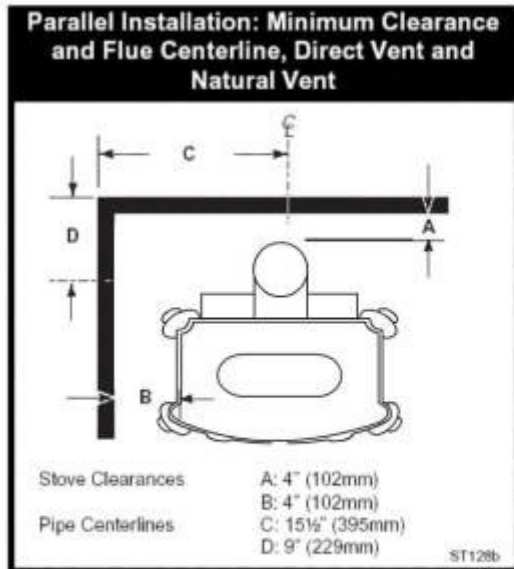


Fig. 5 Parallel installation, minimum back and side clearances, and flue centerlines.

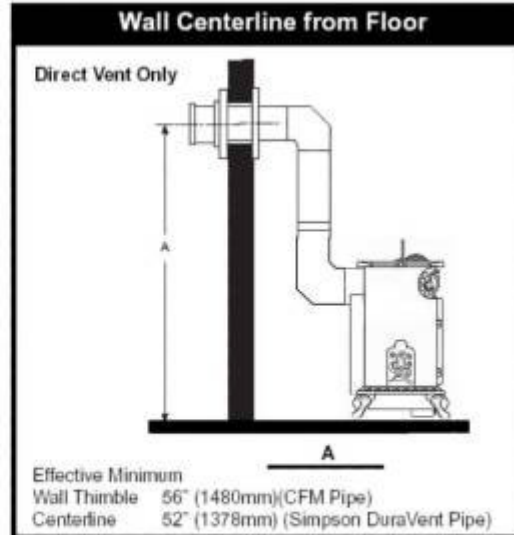


Fig. 4 Minimum wall thimble centerline.

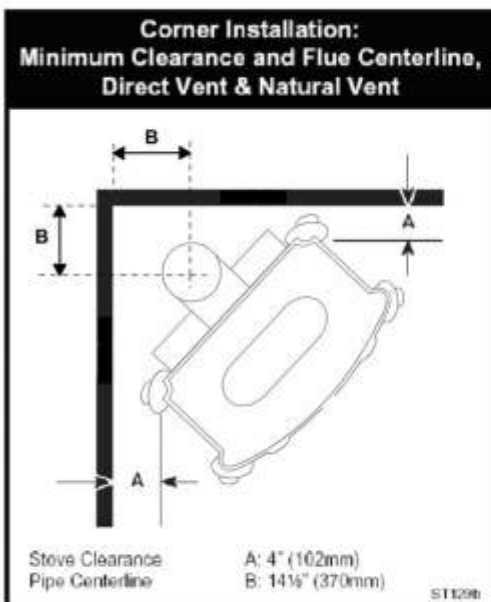


Fig. 6 Corner installation, minimum corner clearances and flue centerline.



Fig. 3 Dimensions and clearances to ceiling or alcove.

### Hearth Requirements

The Stardance Heater must be installed on rigid flooring. When the heater is installed directly on any combustible surface other than wood flooring, a metal or wood panel extending the full width and depth of the unit must be used as the hearth. There are no other hearth requirements.

## DIRECT VENT HORIZONTAL TERMINATION

THE MAXIMUM HORIZONTAL RUN WITH NO VERTICAL RISE IS 300mm PLUS THE STARTER ELBOW AND HORIZONTAL TERMINATION. THE HORIZONTAL RUN MAY EXTEND UP TO 6m AND INCLUDE A VERTICAL RISE OF UP TO 9m (fig11) HORIZONTAL TERMINATION MUST ALSO MEET THE CRITERIA SHOWN IN FIGURES 4 AND 10.

## DIRECT VENT VERTICAL TERMINATION

A VERTICAL VENT SYSTEM MUST TERMINATE NO LESS THAN 2.44m AND NO MORE THAN 9m.

1. NO MORE THAN 3 90° ELBOWS MAY BE USED.
2. TWO 45° ELBOWS MAY BE SUBSTITUTED FOR ONE 90° ELBOW. NO MORE THAN SIX ELBOWS MAY BE USED.
3. TERMINATION HEIGHT MUST CONFORM TO ROOF CLEARANCE AS SPECIFIED IN FIGURE 8.

### Vent Termination Clearances

When planning the installation, consider the location of the vent terminal and clearances. Some of the most common clearances to keep in mind are shown in Figure 5.

**Important: All vent clearances must be maintained. Check your vent termination clearances against Figures 8 through 11.**

The vent should be placed so that people cannot be burned by accidentally touching the vent surfaces when the stove is operating. The vent termination should be located where it cannot be damaged by such things as automobile doors, lawn mowers or snow blowers and it should be located away from areas where it could become blocked by snow, etc

Some considerations are:

- Obstructions or impediments to venting.
- Nearby combustible materials that could come into contact with combustion exhaust gases.
- Other nearby openings {within 12" (305mm)} through which exhaust gas could reenter the building.
- All vegetation within 3' ((76mm) that may interfere with the draft.

Other factors that influence where the installation will be sited include the location of outside walls, where additional heat may be desired in the home, where the family members gather most regularly and

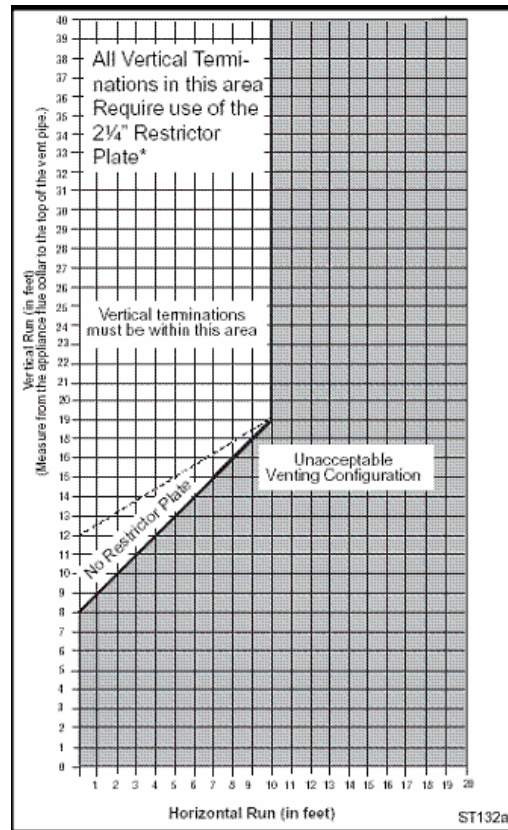


Fig. 8 Vertical vent termination window.

### IMPORTANT!

#### Direct Vent Only

- The horizontal termination must not be recessed into the exterior wall or siding.
- Horizontal vent runs must be level toward the vent termination.
- Clearances around the vent termination must be maintained.
- For installations using Simpson DuraVent pipe, parallel installations with minimum wall clearance have restricted access for connecting the Horizontal Vent Cap straps to the vent pipe. See the maker's instructions for recommended installation procedures.



## VENT TERMINATION CLEARANCES

Your stove is approved to be vented either through the side wall, or vertical through the roof.

- **Minimum clearances between vent pipes and combustible materials are one (1") inch (25mm), except where stated otherwise.**
- **Venting terminals shall not be recessed into a wall or siding.**
- **Horizontal venting must be installed on a level plane without an inclining or declining slope.**

### Location of Vent Termination

There must not be any obstruction such as bushes, garden sheds, fences, decks or utility buildings within 600mm from the front of the termination hood. Do not locate termination hood where excessive snow or ice build up may occur. Be sure to check vent termination area after snow falls, and clear to prevent accidental blockage of venting system. When using snow blowers, make sure snow is not directed towards vent termination area.

**IT IS IMPERATIVE THE VENT TERMINATION BE LOCATED OBSERVING THE MINIMUM CLEARANCES AS SHOWN ON THIS PAGE.**

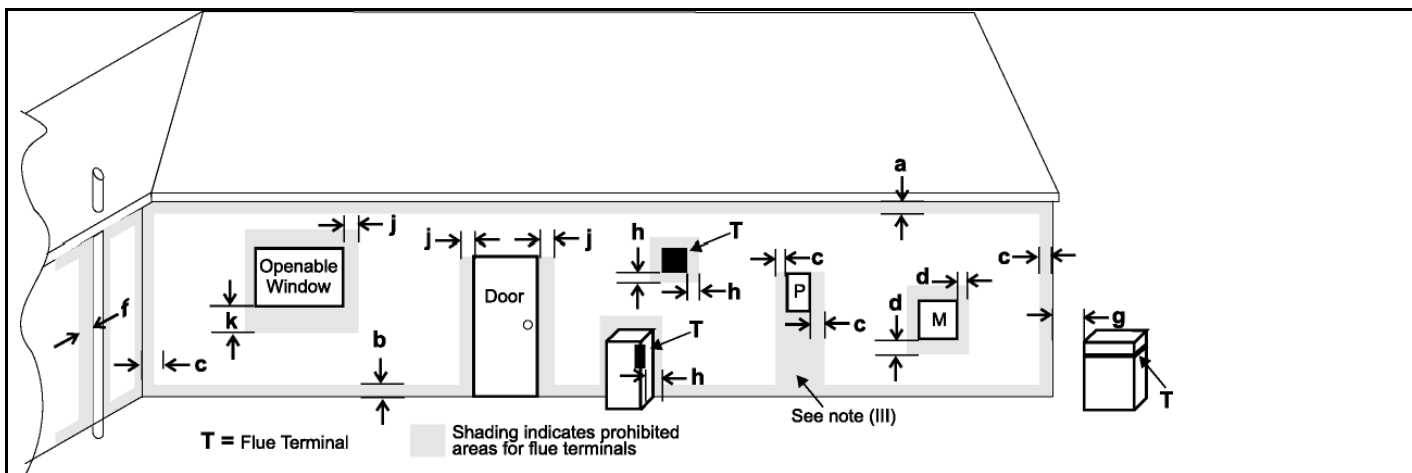


Fig 10.

**Minimum clearances required for balanced flue terminals or the flue terminals of outdoor appliances according to AG 601 (AGA gas installation code) or NZS 5261 (New Zealand**

	Minimum Clearance (mm)
a Below eaves, balconies or other projections:	
- Appliances up to 50 MJ/h input	300
- Appliances over 50 MJ/h input	500
b From the ground or above a balcony	300
c From a return wall or external corner	500
d From a gas meter (M)	1000
e From an electricity meter or fuse box (P)	500
f From a drain or soil pipe	150
g Horizontally from any building structure (unless appliance is approved for closer installation) or obstruction facing a terminal	500
h From any other flue terminal, cowl or combustion air intake	500
j Horizontally from an openable window, door, or non-mechanical air inlet, or any other opening into a building, with the exception of sub-floor ventilation	500
- Appliances over 150 MJ/h input	1500
k Vertically below an openable window, door, or non-mechanical air inlet, or any other opening into a building, with the exception of sub-floor ventilation (see also Note (I)): see table on next page	

Clearance 'k' in mm			
Space Heaters	All Other Appliances		
Up to 50 MJ/h input	Up to 50 MJ/h input	Over 50 MJ/h input to 150 MJ/h input	Over 150 MJ/h input
150	500	1000	1500

**NOTES**

- (I) For mechanical air inlets, including spa blowers, the clearance "j" and "k" shall be 1500mm in all cases.
- (II) All distances shall be measured vertically or horizontally along the wall to a point in line with the nearest part of the terminal
- (III) Prohibited area below electricity meter or fuse box extends to ground level.
- (IV) A flue terminal of this type shall not be located under a roofed area unless the roofed area is fully open on at least two sides and free flow of air at the appliance is achieved.

**Termination Clearances**

Termination clearances for buildings with combustible and noncombustible exteriors.

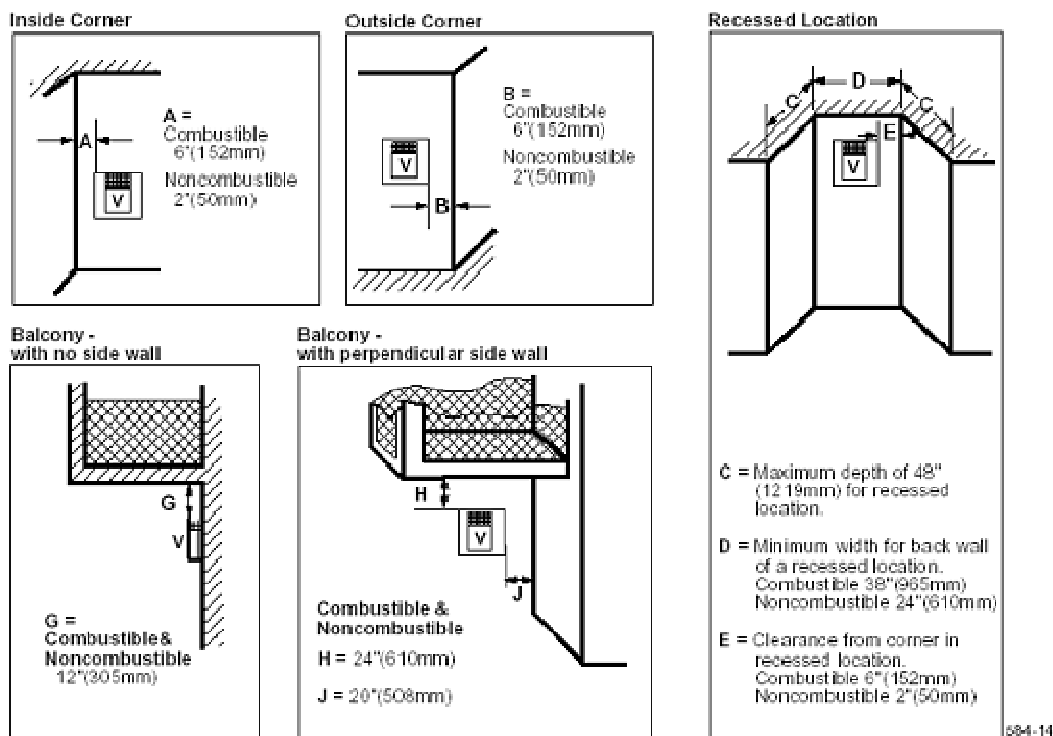
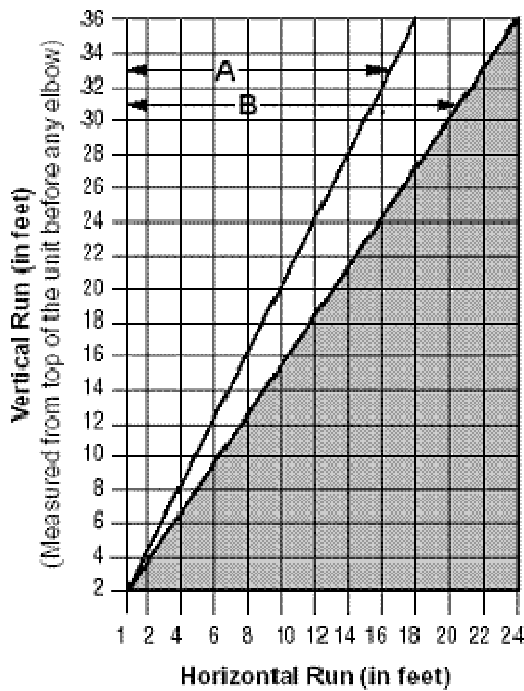


Fig 9. Vent termination clearances

## Venting Requirements - Natural Vent Only



### Venting Runs

**NOTE:** When venting straight vertical, without any elbow, a minimum of 8 ft. vertical is required off the top of the stove.

- = Acceptable venting configuration
- = Unacceptable venting configuration

**A:** Vertical installations up to 36 feet (12m) in height. Up to an 18 ft. horizontal vent run can be installed within the vent system using a maximum of two 90-degree elbows or four 45-degree elbows.

**B:** Vertical installations up to 36 feet (12m) in height. Up to a 24 ft. horizontal vent run can be installed within the vent system using a maximum of two 45-degree elbows. (Ratio = 2/3, Hor./Vert.)

FP567b

Fig. 11 Vent termination window - Natural Vent ONLY.

**NOTE:** When using the FSDHAG, the restrictor plate supplied with the stove is not used.

## Assembly Procedures

### Remove the Log Set

The Log Set is inside the firebox in a protective package.

The Glass Panel must be removed to install the Log Set in the firebox.

- Swing open the swiveling latches at the top left and right corners of the glass frame. (Fig. 13)
- Pull the top edge of the glass and frame assembly away from the firebox, and lift it off its supports on the bottom of the firebox face. Place the assembly out of the way on a flat, padded surface such as a counter protected by a towel.
- Take the log set and all other loose parts out of the firebox, and set them aside in a protected spot, for installation after the venting is complete.

**NOTE: Verify the relief door (located at the back of the firebox) is properly seated on the gasket. The door should sit flush on the gasket.**

**Failure to position the parts in accordance with these diagrams or failure to use only parts specifically approved for use with this heater may result in property damage or personal injury. This heater and components are heavy. Have help available for assembly.**

### WARNING

**Porcelain enamelled surfaces are fragile. Handle porcelain enamelled castings with care.**

Before you begin assembly, read this section of the manual to familiarize yourself with the procedures. The installation will be easiest if you follow the steps in the order presented.

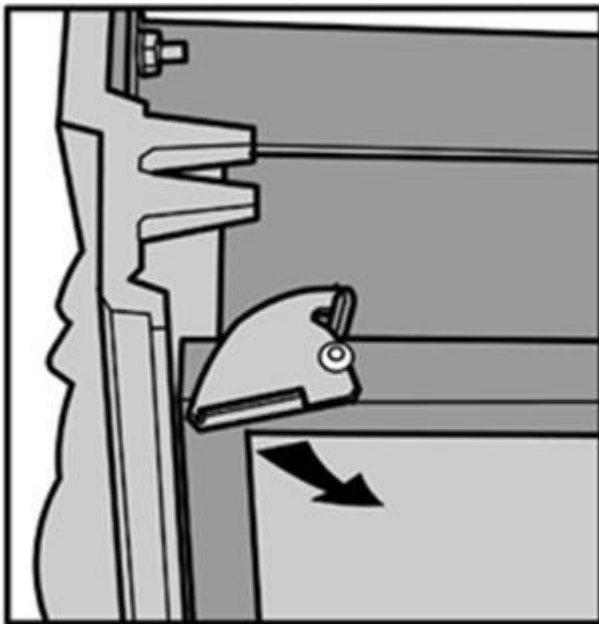


Fig 13. Swivel the latches to release the glass frame

## ASSEMBLY PROCEDURES

### Venting System Assembly - Direct Vent

The Monterey is approved for installation only with Masport direct flue heater systems.

#### Install Restrictor Plate

1. Install the Restrictor Plate. Consult the 'Vent Run Specifications' to determine whether the restrictor plate is needed. If so, put the restrictor plate in place within the inner flue collar as shown in Figure 22.

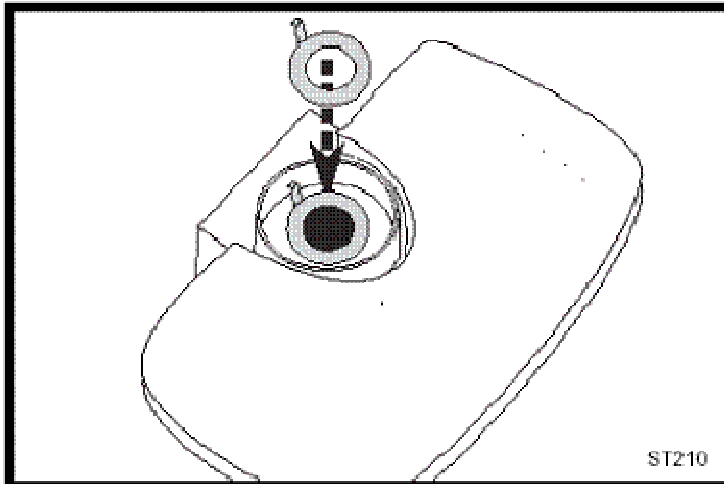
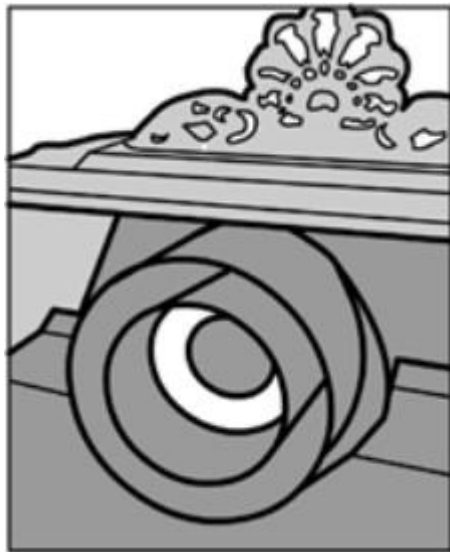
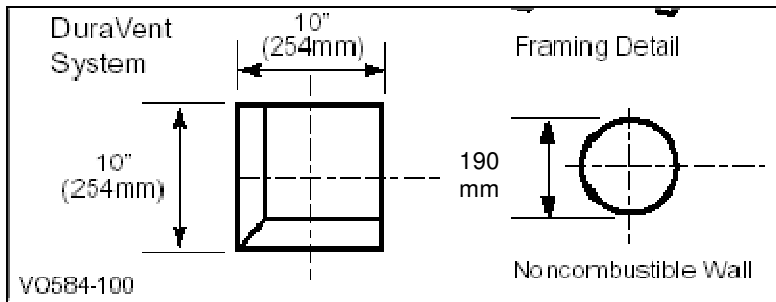


Fig. 22 Install the restrictor plate only if required for the venting configuration. Refer to page 8.



#### Side Wall Termination Assembly

1. Locate the vent opening on the wall. Refer to Figure 4, Page 5, to determine the opening centerline. It may be necessary to first position the stove and measure to find the hole location. Depending on whether the wall is made of combustible materials, cut the opening to the size shown below. Combustible wall openings must be framed as shown below.



## Vent Termination Below Grade

Install Snorkel Kit when it is not possible to meet the required vent termination clearances of 12" (305mm) above grade level. The snorkel kit will allow installation depth of down to 7" (178mm) below grade level. The seven inches is measured from the center of the horizontal vent pipe as it penetrates the wall. **If the venting system is installed below grade, a window well must be installed with adequate and proper drainage.** (Fig. 34)

**NOTE:** Be sure to maintain side wall clearances and vent run restrictions. Refer to Figures 3 through to 10.

1. Establish the vent hole through the wall.
2. Remove soil to a depth of approximately 16" (400mm) below the base of the snorkel. Install a window well (not supplied). Refill the hole with 12" (305mm) of coarse gravel and maintain a clearance of at least 4" (100mm) below the snorkel. (Fig. 34)
3. Install the vent system as described on previous pages.
4. Be sure to make a watertight joint around the vent pipe joint at the inside and outside wall joints.
5. Apply high temperature sealant around the inner and outer snorkel collars. Join the pipes and fasten the snorkel termination to the wall with the screws provided.
6. Level the soil to maintain a 4" clearance below the snorkel. If the foundation is recessed, use extension brackets (not supplied) to fasten the lower portion of the snorkel. Fasten the brackets to the wall first, and then fasten to the snorkel with self-tapping #8 x 1/2" sheet metal screws. Extend the vent pipes out as far as the protruding wall face.

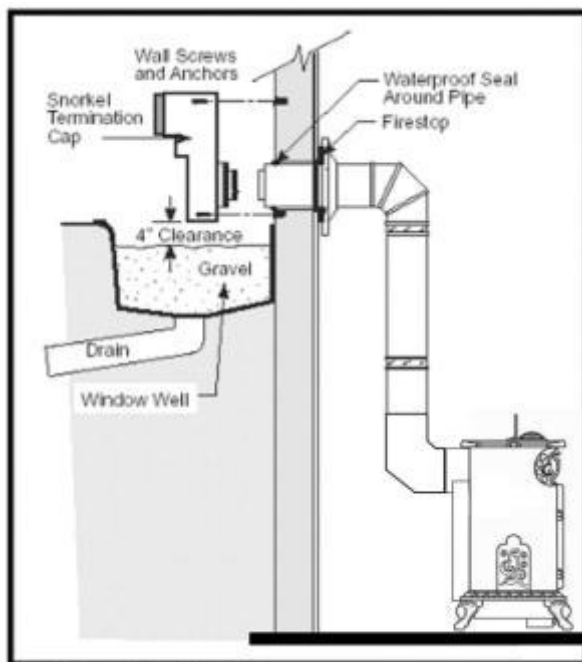


Fig. 34 Snorkel kit installation.

## Vertical (Through the Roof) Vent Assembly

**Note that all vertically terminated installations must include the restrictor plate included with the stove.**

Make certain the vent system conforms to all other requirements for vertical termination as specified. This installation will require you to first determine the roof pitch and use the appropriate vent components. Refer to Figures 36 and 37.

1. Locate the final position of the stove, observing all clearances for both the vent and the stove.
2. Plumb to the center of the inner 100mm(4") flue collar from the ceiling above, and mark that location.
3. Cut the opening:
4. Plumb any additional opening through the roof or other construction that may be needed. In all cases, the opening must provide a minimum of 1" (25mm) clearance to the vent pipe.
5. Place the stove in its final position.
6. Install firestop(s) and Attic Insulation Shield as needed. (Fig. 36) If there is a room above ceiling level, a firestop must be installed on both the bottom and top sides of the ceiling joists. If an attic is above ceiling level, an attic insulation shield must be installed.
7. Install the appropriate roof support and flashing, making certain that the upper flange of the flashing base is below the shingles. (Fig. 37)
8. Install appropriate pipe sections until the vent run reaches above the flashing. The enlarged ends of the vent sections always face downward.
9. Install the storm collar and seal around the joints. (Fig. 37)
10. Add additional vent lengths to achieve the proper overall height.
11. Apply cement to the inner and outer termination collars and install the terminal cap.

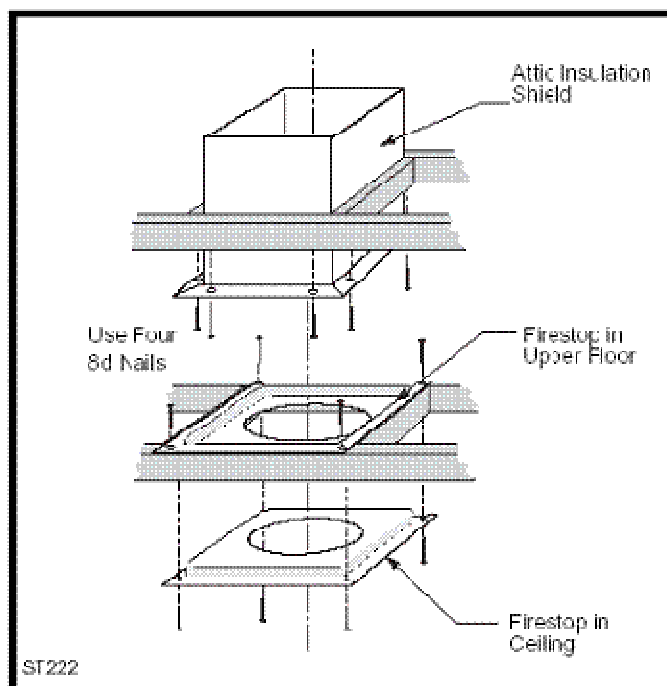


Fig. 36 Install firestops and attic insulation shield.

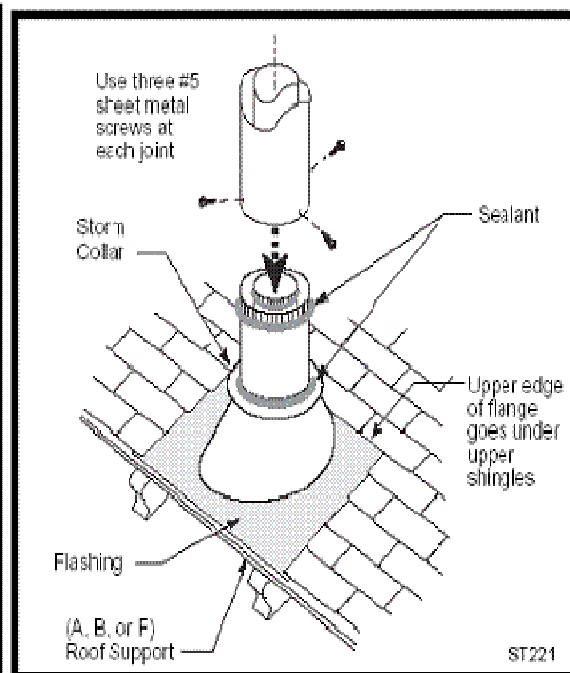
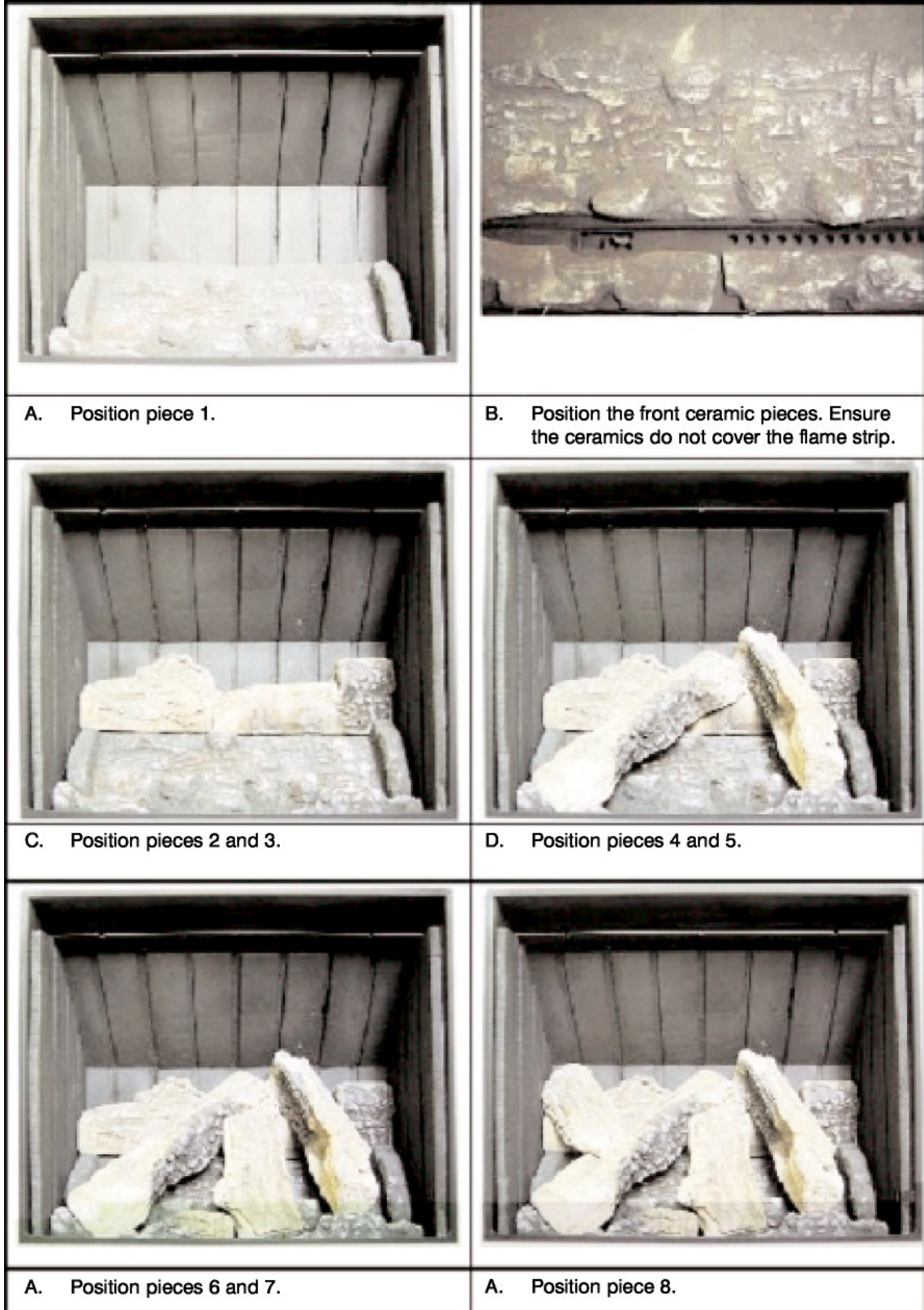


Fig. 37 Roof support and flashing.

## Installing the Log Set

Remove the logs from their packaging and inspect each piece for damage.

**DO NOT INSTALL DAMAGED LOGS.**





## **Connect the Gas Supply Line**

Check the Rating Plate attached by a steel cable to the firebox, to confirm that you have the appropriate firebox for the type of fuel to be used. The Monterey may be converted from one gas to another using the appropriate Fuel Conversion Kit listed on page 19.

## **CAUTION**

**This appliance should only be connected by a qualified gas technician. Test to confirm manifold pressures as specified below. The Monterey Heater and its individual shutoff valve must be disconnected from the gas supply piping during any pressure testing of that system at test pressures in excess of 3.5 kPa. The Monterey Heater must be isolated from the gas supply piping system by closing its individual manual shutoff valve during any pressure testing of the gas supply piping system at test pressure equal to or less than 3.5kPa.**

**There must be a gas shutoff between the stove and the supply. In order to connect Natural Gas, use a fitting with 3/8" NPT nipple on the valve side and 1/2" natural gas supply line with an input of 29.5Mj at a manifold pressure of 0.87kPa and minimum inlet supply for adjustment of 1.37kPa.**

**In order to connect Propane, use a fitting with 3/8" NPT nipple on the valve side and 1/2" propane gas supply line with an input of 29.5Mj at a manifold pressure of 2.49kPa and minimum inlet supply for adjustment of 2.74kPa.**

**Always check for gas leaks with a mild soap and water solution. Do not use an open flame for leak testing.**

Light the pilot according to the directions on page 16, before going to the next step.

## **Burner Information**

The appliance must only use the gas specified on the rating plate, unless converted using a Masport Fuel Conversion Kit. Conversion instructions are provided with each kit.

**THIS APPLIANCE SHOULD BE CONNECTED TO THE GAS SUPPLY ONLY BY A QUALIFIED GAS SERVICE TECHNICIAN. FOLLOW ALL LOCAL CODES. THERE MUST BE A GAS SHUT-OFF BETWEEN THE STOVE AND THE SUPPLY.**

## OPERATION

### Your First Fire

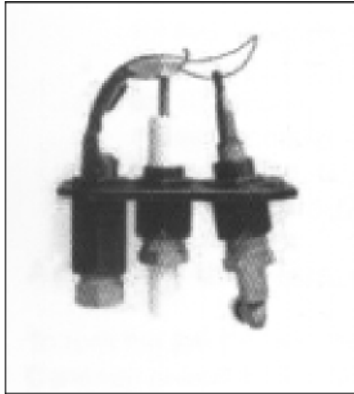
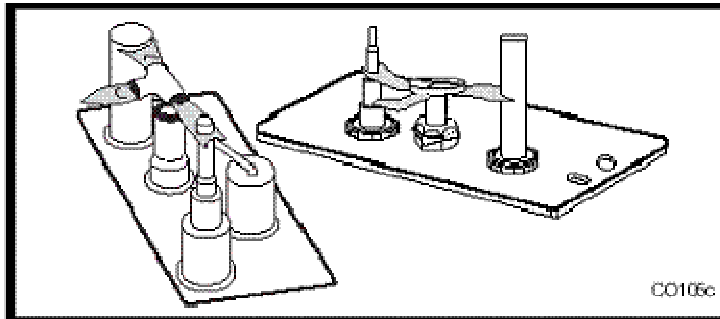
Read these instructions carefully and familiarize yourself with the burner controls. Locate the pilot assembly, shown below. Follow the lighting instructions on the next page exactly. During the first fire, it is not unusual to smell some odor associated with new logs, paint and metal being heated. Odors should dissipate within an hour or so, however, you can open a window to provide fresh air to alleviate the condition.

### Pilot and Burner Inspection

Each time you light your heater check that the pilot flame is as shown below and the burner flame is as shown in figure 70. If flame patterns are incorrect, turn the heater off. Contact your dealer or a qualified gas technician for assistance. Do not operate the heater until the pilot flame is correct. Follow regular maintenance procedures as described in these instructions.

### Flame Characteristics

It is important to periodically perform a visual check of the pilot and the burner flames. Compare them to the figures below. If any of the flames appear abnormal, call a service person.



# Lighting and Operating Instructions

## FOR YOUR SAFETY READ BEFORE LIGHTING

**WARNING: If you do not follow these instructions exactly, a fire or explosion may result causing property damage, personal injury or loss of life.**

- A. This heater has a pilot which must be lit manually. When lighting the pilot follow these instructions exactly.
- B. **BEFORE LIGHTING** smell all around the heater area for gas. Be sure to smell next to the floor because some gas is heavier than air and will settle on the floor.
- WHAT TO DO IF YOU SMELL GAS**
- Do not try to light any fireplace
  - Do not touch any electric switch
  - Do not use any phone in your building
  - Immediately call your gas supplier from a neighbor's phone. Follow the gas supplier's instructions.
- If you cannot reach your gas supplier, call the Fire Department
- C. Use only your hand to push in or turn the gas control knob. Never use tools. If the knob will not push in or turn by hand, do not try to repair it, call a qualified service technician. Applying force or any attempted repair may result in a fire or explosion.
- D. Do not use this fireplace if any part has been under water. Immediately call a qualified service technician to inspect the heater and to replace any part of the control system and any gas control which has been under water.

### Lighting Procedure

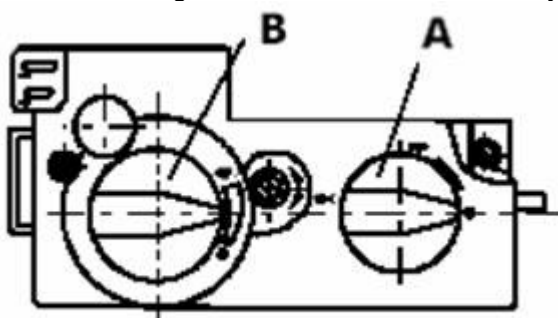
- Turn knob A slightly left towards the ignition position until reaching stop, press down and hold for five seconds (only pilot gas flows).
- Continue pressing down knob A while turning further left to activate piezo, continue to hold down for 10 seconds after pilot burner has been lit. If pilot does not light, steps 1 and 2 can be repeated immediately.
- Upon lighting, release knob and turn further left to ON position. Pilot gas flows and main gas flows in accordance to the temperature setting (knob B).

### Adjusting Temperature

To turn the fire on and/or to increase the flame height, press the UP button of the remote handset. Continue pressing until the desired flame height is obtained. Press and hold the DOWN button to reverse the procedure. The receiver is equipped with a built-in delay, recognizable by the flickering light, to facilitate fine adjustment of the flame. The motorized valve is equipped with a slip clutch, allowing manual adjustment of main gas by turning knob B.

### Shut-off Procedure

- Turn knob A right until reaching stop. In this position only pilot gas flows.
- To shut the valve off completely, press down slightly and continue turning right from pilot position to the OFF position. The safety interlock prevents re-ignition of the pilot flame until the thermocouple has cooled down sufficiently (elapsed time will vary based on thermocouple type).
- Switching off the remote is not necessary.



## REMOTE CONTROL

### Set the display

- After connecting the battery or by simultaneously pressing **AUTO** and **TIMER**, the display flashes. You are in set mode.
- From set mode, press **AUTO** to switch from °F (and 12 hour clock) to °C (and 24 hour clock) or vice versa.
- The display will automatically return to manual after some time, but you may immediately return to manual by depressing the **TIMER** button.

### Set the current time

- After connecting the battery or by simultaneously pressing **AUTO** and **TIMER**, the display flashes. You are in set mode.
- From set mode, press (▲) to set the hour and (▼) to set the minute.
- Wait or press **TIMER** to return to “manual” mode.

### Programming the Desired Set Temperature

- Press **AUTO** until the display flashes.
- Press (▲) or (▼) to set the desired temperature.
- Wait or press **AUTO** to switch to automatic mode.
- A sensor in the transmitter measures the room temperature. The controller compares the room temperature with the set temperature and sends a signal to the receiver to turn the gas valve motor, which adjusts the flame height accordingly.

### Programming the Timer

- Press **TIMER** until **P1\*** flashes (period 1, heating cycle on).
- Set the time for the beginning of the first heating period by pressing (▲) for hour and (▼) for minute.
- Press **TIMER** again; **P1w** appears.
- Set the time for end of the first heating period.
- Press **TIMER** again to set the second heating period **P2w** (heat off).
- Store both heating periods by pressing **TIMER** again.
- If only one heating period is desired, program the same time for **P2\*** and **P2w**.

### Manual Mode (MAN in display) for Manual Flame Height Adjustment

- Press (▲) to turn on the fire (main burner) or to increase flame height.
- Press (▼) to decrease flame or to turn down to pilot.
- To incrementally increase or decrease the flame height lightly tap either the (▲) or (▼) button.
- The “send” symbol appears in the upper left corner of the display when either button is depressed.
- The LED of the receiver flashes when knob B of the valve reaches the end stops.

### Automatic Mode (AUTO in display) for Temperature Control

- Briefly press **AUTO**. The set temperature will appear briefly before the display reverts to the room temperature.

### Timer Mode (TIMER in display)

- During heating periods **P1\*** and **P2\***, the temperature is controlled in the same manner as in automatic mode.
- When the timer program turns to **w** (heating cycle off), the motor will turn the valve to pilot and there is no temperature control. This minimises battery consumption.
- You may press **AUTO** to verify the set-temperature and then press **TIMER** to return to timer mode.
- You may press either the (▲) or (▼) button from any mode for manual override.

- To prolong battery life, we recommend switching the transmitter to manual model and turning the fire to pilot with the (▼) button before turning the appliance off. If the transmitter is left in automatic or timer mode, the batteries will continue to be used when the appliance is off.

## Changing the Battery

- If **BATT** appears in upper right hand corner of the display or if the LED of the receiver becomes faint, please change the battery from transmitter or receiver. If the batteries lose power, the flame height can be adjusted by manually turning knob B (see illustration 2).

## NOTE

Please note, the placement of the transmitter (temperature sensor) is important to assure proper temperature regulation. Generally, a more constant temperature will be assured, if the transmitter is not too far from the gas appliance. Before switching to **AUTO** or **TIMER** mode, press either button (▲) or (▼) to verify the reception (when the send symbol appears in the transmitter display, the receiver's LED must illuminate). For the **AUTO** or **TIMER** mode to function correctly, the transmitter must remain within range of the receiver. The transmitter should not be used in very close proximity to the receiver (less than 1m/3ft as this could, in very rare cases, produce an electronic switching error. This error could block the motor when the knob reaches the end points of its turning radius. The knob must then be turned manually to free the blockage.

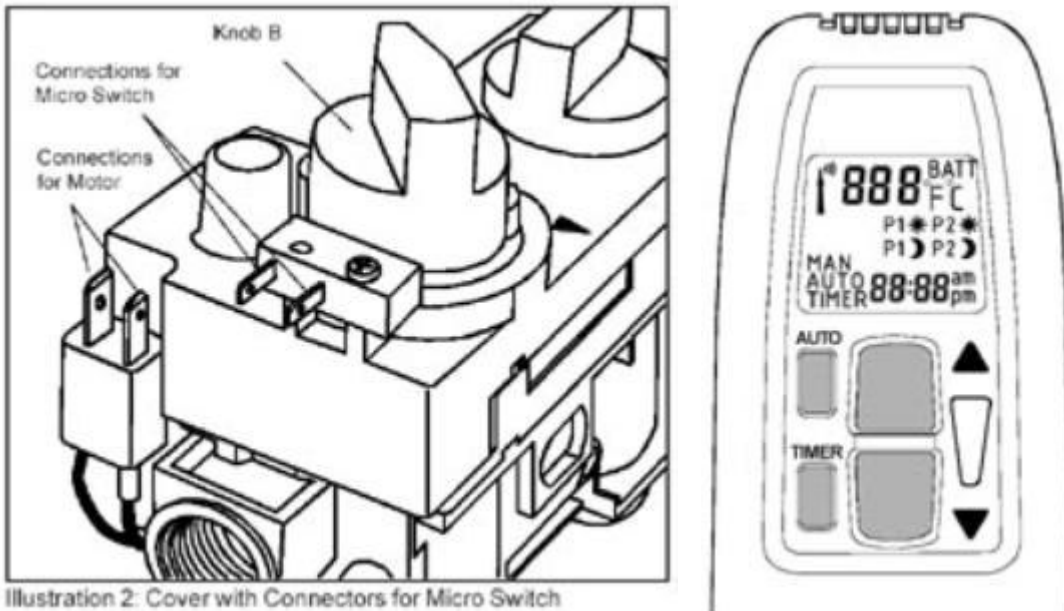
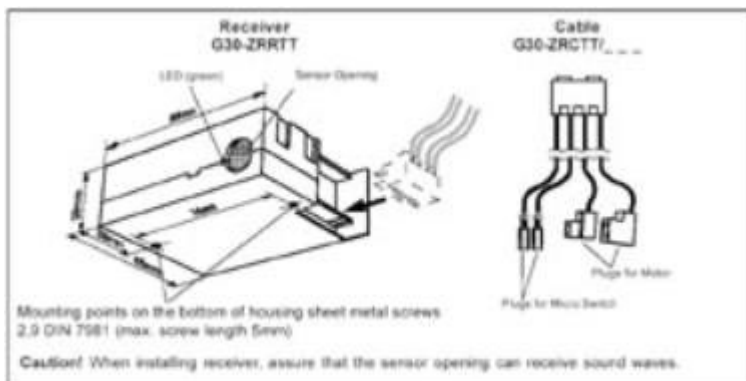


Illustration 2: Cover with Connectors for Micro Switch



## FUEL CONVERSION INSTRUCTIONS

**WARNING!** This conversion kit shall be installed by a qualified service agency in accordance with the manufacturer's instructions and all applicable codes and requirements of the authority having jurisdiction. If the information in these instructions is not followed exactly, a fire, explosion or production of carbon monoxide may result causing property damage, personal injury or loss of life. The qualified service agency is responsible for the proper installation of this kit. The installation is not proper and complete until the operation of the converted appliance is checked as specified in the manufacturer's instructions supplied with the kit.

**CAUTION:** The gas supply shall be shut off prior to disconnecting the electrical power, before proceeding with the conversion.

**Table 2. Injector Orifice Size Matrix**

Conversion to Natural Gas					Input (BTU/h)	
Kit #	Front	Part #	Rear	Part #	Minimum	Maximum
000-5021	#54 / .055"	30000514	#44 / .086"	30000334	19,000	28,000
000-5011						
Conversion to LP					Input (BTU/h)	
Kit #	Front	Part #	Rear	Part #	Minimum	Maximum
000-5022	#69 / .029"	30000513	#54 / .055"	30000514	20,000	28,000
000-5012						

### EXAMPLE OF CHART RECOMMENDATION

19,000 BTU/h = 20.04 MJ/h

20,000 BTU/h = 21.1 MJ/h

28,000 BTU/h = 29.54 MJ/h

## MAINTENANCE

Your Monterey Gas Heater will provide years of service with minimal upkeep. The following procedures will help ensure that your stove continues to function properly.

### Annual System Inspection

Have the entire heater and venting system inspected annually by a qualified gas technician. Replace any worn or broken parts.

### Logset and Burner

#### Cleaning and Inspection

Cleanliness is critical to the proper function of the heater. The logset and burner must all be kept free of dust and unobstructed by debris. Inspect these areas before each use and clean as necessary.

1. Turn the burner OFF and let the heater cool completely before cleaning.
2. Lift the Stove Front up and then swing the bottom out to disengage it from the heater shell.
3. Carefully remove the glass and frame assembly and place it out of the way on a flat, padded surface such as a counter protected by a towel.
4. Carefully inspect the Logs for damage. Contact your local dealer if any damage is evident.  
**DO NOT OPERATE THE HEATER WITH DAMAGED LOGS.**
5. Use a soft bristled brush to sweep dust or debris from the Logs, Pilot and Burner. Use care as the logs are fragile and susceptible to damage.  
**DO NOT USE A VACUUM TO CLEAN THE LOGS OR BURNER.**
6. Replace the glass panel and frame assembly.
7. Replace the Stove Front.

#### Care of Cast Iron

An occasional dusting with a dry rag will help keep the painted surfaces looking new. Use high-temperature stove paints, available through your local dealer, to touch-up areas as needed. Clean areas to be painted with a wire brush and be sure to cover the logs, burner and valve assembly, glass and frame assembly. Apply the paint sparingly; two light coats of paint will give better results than a single heavy coat. Clean porcelain enamel surfaces with a soft, damp cloth. Do not use abrasive cleaning agents. If necessary, use only a cleaning agent formulated especially for use on porcelain enamel surfaces.

#### CAUTION

**TURN THE PILOT OFF BEFORE PAINTING. ALLOW THE HEATER TO COOL COMPLETELY BEFORE PAINTING.**

#### Cleaning the Glass

**WARNING: Allow the glass cool completely before attempting to clean.**

It will be necessary to clean the glass periodically. During start-up, condensation, which is normal, forms on the inside of the glass and causes lint, dust and other airborne particles to cling to the glass surface. Also initial paint curing may deposit a slight film on the glass. It is therefore recommended that the glass be cleaned two or three times with a non-ammonia household cleaner and warm water (we recommend gas fireplace glass cleaner). After that the glass should be cleaned two or three times during each heating season depending on the circumstances present.

**Clean glass after first two weeks of operation.**

## Glass Replacement

Replace glass only with Masport approved parts. Refer to Replacement Parts towards the back of this manual. Refer to previous instructions for removal of the damaged glass frame.

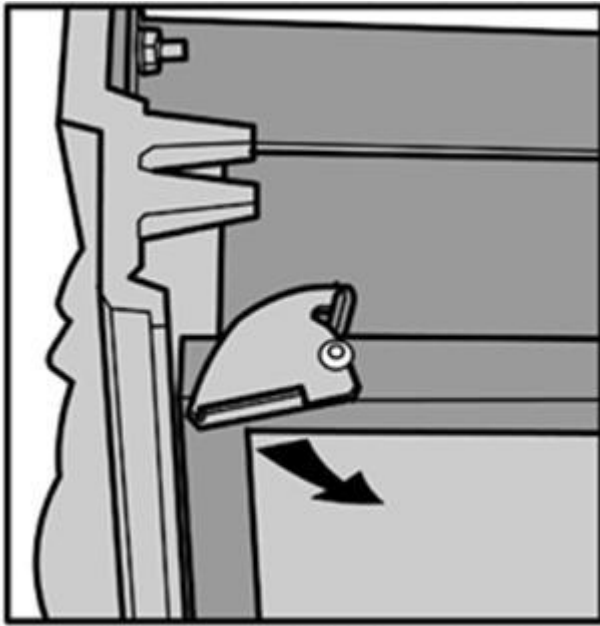


Fig 13. Swivel the latches to release the glass frame

## Gasket Replacement

The Monterey Gas Heater uses a 'tadpole' type gasket to seal between the glass panel and the frame. In time, this gasket can become brittle and compressed and should be replaced. New gasket is available from your dealer. Shut off the gas supply and allow the stove to cool. Wear safety goggles and a dust mask.

1. Remove the Front, Glass Frame and Glass Panel. Remove the old gasket. Use a razor blade to separate the glass and gasket from the frame, and to clean the glass of any remaining cement or bits of gasket. Use a cold chisel if necessary.
2. Determine the correct length of gasket by laying it out around the edge of the glass. Allow an extra 25-50mm. Mark the spot to be cut. Use a utility knife.
3. Starting on a long edge, remove about 150mm of the protective paper strip and apply the flat adhesive face of the gasket around the outside-facing edge of the panel. Continue around the panel, applying about 150mm at a time and being careful to not stretch the material. Do not overlap the gasket ends.
4. Apply a thin bead of high temperature silicone rubber sealant along the inside corner of the glass frame, all around the perimeter. Place the flat gasketed side of the glass panel back into the steel frame. Pinch the rounded inside-facing gasket material to bulk it up.
5. Replace the glass frame and front panel as previously described.

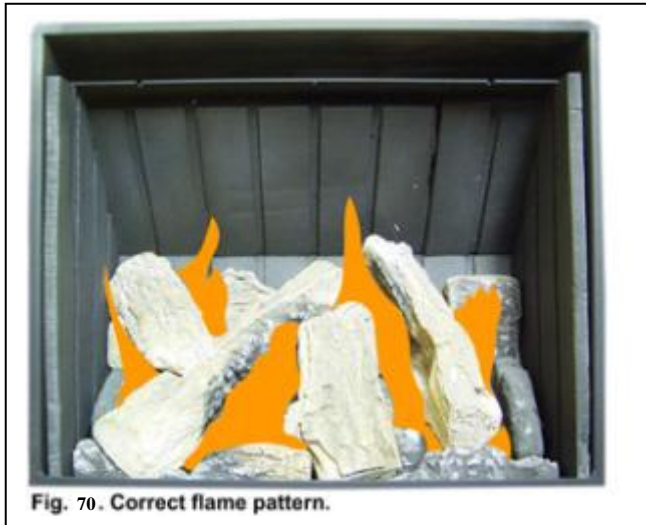
## Inspect the Vent System Annually

Have the vent system inspected annually by a qualified technician. Shut off the main gas supply before inspecting the system. Both the inner exhaust pipe and the outer combustion supply pipe must be checked to confirm that they are unblocked and in good condition.



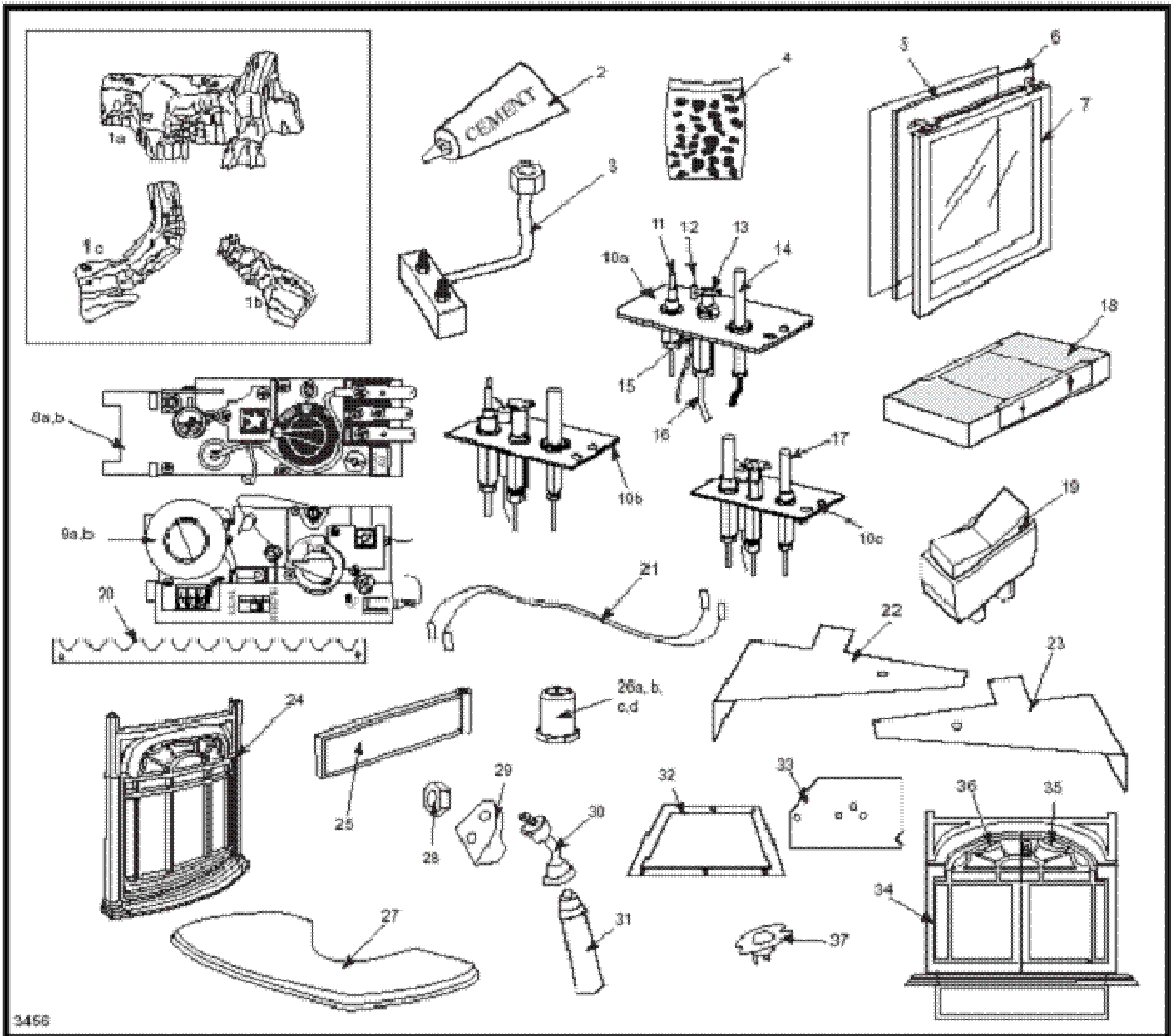
### **Check the Gas Flame Regularly**

To ensure that the stove is operating properly, check the flames periodically to confirm that they match Figure 70. The flames will be blue during the first 15-20 minutes of operation, and will gradually turn to yellow after that. Do not use your stove if the flame pattern differs from that shown here. Contact your Masport dealer or a qualified technician for help.



**Fig. 70. Correct flame pattern.**

# EXPLODED VIEW – SERVICE PARTS Monterei



## MONTEREI Direct Vent Gas Heater

Ref.	Description	SDV30
1.	Gas Log Assembly - SDV30	20003458
1a.	Log Rear (V21)	20003459
1b.	Log Right (V22)	20003460
1c.	Log Left (V23)	20003461
2.	Furnace Cement	1206150
3.	Manifold Assembly	20003739
4.	Lava Rocks Burner	57897
5.	Gasket, Glass - Med. Knit - RDV40	1203702

LIST ALL PARTS OF STOVES (??).

## **BASIC WARRANTY**

Metal Fab Ind (2004) LTD (hereinafter referred to collectively as the Company) warrants that your new Masport Gas Fireplace/Stove is free from manufacturing and material defects for a period of one year from the date of purchase, subject to the following conditions and limitations.

## **EXTENDED LIFETIME WARRANTY**

The heat exchanger, where applicable, and combustion chamber of every MASPORT gas product is warranted for life against through wall perforation. All appliances have limited lifetime coverage on the burner plaque. Warrantees are made to the original owner subject to proof of purchase and the conditions and limitations listed on this Warranty Document

## **COMPONENT WARRANTY**

CAST IRON: All external and internal cast iron parts are warranted for a period of three years.

**Note:** On porcelain enamel finished external parts and accessories The Company offers no Warranty on chipping of enamel surfaces. Inspect all product prior to accepting it for any damage to the enamel. The salt air environment of coastal areas or a high humidity environment can be corrosive to the porcelain enamel finish. These conditions can cause rusting of the cast iron beneath the porcelain enamel finish, which will cause the finish to flake off. Dye lot variations with replacement parts and/or accessories can occur and are not covered by warranty.

GLASS DOORS: Glass doors are covered for a period of one year. Glass doors are not warranted for breakage due to misuse or accident. Glass doors are not covered for discoloration or burned in stains due to environmental issues, or improper cleaning and maintenance.

BRASS PLATED PARTS AND ACCESSORIES: Brass parts should be cleaned with Lemon oil only. Brass cleaners cannot be used. Mortar mix and masonry cleaners may corrode the brass finish. The Company will not be responsible for, nor will it warrant any brass parts which are damaged by external chemicals or down draft conditions.

GAS VALVES: Gas valves are covered for a period of one year  
ELECTRONIC AND MECHANICAL COMPONENTS: Electronic and mechanical components of the burner assembly are covered for one year. All steel tube burners are warranted for one year.

ACCESSORIES: Unless otherwise noted all components and MASPORT supplied accessories are covered for a period of one year.

## **CONDITIONS AND LIMITATIONS**

- This new MASPORT product must be installed by a competent, authorized, service contractor. A licensed technician, as prescribed by the local jurisdiction must perform any installation/ service work. It must be installed and operated at all times in accordance with the Installation and Operating instructions furnished with the product. Any alteration, willful abuse, accident, or misuse of the product shall nullify this warranty.
- This warranty is non-transferable, and is made to the original owner, provided that the purchase was made through an authorized supplier of the Company.
- The customer must pay for any Authorized Dealer in-home travel fees or service charges for in-home repair work. It is the dealers option whether the repair work will be done in the customer's home or in the dealer's shop.
- If upon inspection, the damage is found to be the fault of the manufacturer, repairs will be authorized at no charge to the customer parts and/or labour.
- Any part and/or component replaced under the provisions of this warranty is covered for six months or the remainder of the original warranty, whichever is longest.
- This warranty is limited to the repair of or replacement of part(s) found to be defective in material or workmanship, provided that such part(s) have been subjected to normal conditions of use and service, after said defect is confirmed by the Company's inspection.
- The company may, at its discretion, fully discharge all obligations with respect to this warranty by refunding the wholesale price of the defective part(s)
- Any installation, labor, construction, transportation, or other related costs/expenses arising from defective part(s), repair, replacement, or otherwise of same, will not be covered by this warranty, nor shall the Company assume responsibility for same. Further, the Company will not be responsible for any incidental, indirect, or consequential damages except as provided by law.
- All other warranties-expressed or implied- with respect to the product, its components and accessories, or any obligations/liabilities on the part of the Company are hereby expressly excluded.
- The Company neither assumes, nor authorizes any third party to assume on its behalf, any other liabilities with respect to the sale of his MASPORT, product
- The warranties as outlined within this document do not apply to chimney components or other non MASPORT accessories used in conjunction with the installation of this product..
- Damage to the unit while in transit is not covered by this warranty but is subject to claim against the common carrier. Contact the dealer from whom you purchased your fireplace/stove (do not operate the appliance as this might negate the ability to process the claim with the carrier).
- The Company will not be responsible for:
  - a) Down drafts or spillage caused by environmental conditions such as near-by trees, buildings, roof tops, hills, or mountains.
  - b) Inadequate ventilation or negative air pressure caused by mechanical systems such as furnaces, fans, clothes dryers, etc.
- This warranty is void if:
  - a) The fireplace has been operated in atmospheres contaminated by chlorine, fluorine, or other damaging chemicals.
  - b) The fireplace has been subjected to prolonged periods of dampness or condensation
  - c) Any damages to the fireplace, combustion chamber, heat exchanger or other components due to water, or weather damage, which is the result of but not limited to, improper chimney/venting installation.

d) Any alteration, willful abuse, accident, or misuse of the product  
Has occurred.

**IF WARRANTY SERVICE IS NEEDED...**

- 1) Contact your supplier. Make sure you have your warranty, your sales receipt, and the model/serial number of your MASPORT product.
- 2) DO NOT ATTEMPT TO DO ANY SERVICE WORK YOURSELF.

**LIMITED LIFETIME WARRANTY**

**PRODUCT COVERED BY THIS WARRANTY**

All MASPORT gas stoves.

Masport Gasfires are distributed in New Zealand by  
GLEN DIMPLEX AUSTRALASIA, 38 HARRIS ROAD, EAST TAMAKI  
PO Box 58-473, Greenmount, Auckland, New Zealand  
For servicing heater call 0800 666 2824 New Zealand

Masport Gasfires are distributed in Australia by  
GLEN DIMPLEX PTY LTD, UNIT 2, 205 ABBOTS ROAD  
Dandenong South, Victoria 3175, Australia  
For servicing heater call 1 300 554 155 Australia

[www.glendimplex.co.nz](http://www.glendimplex.co.nz)  
[www.glendimplex.com.au](http://www.glendimplex.com.au)

Installed by: -

Date: