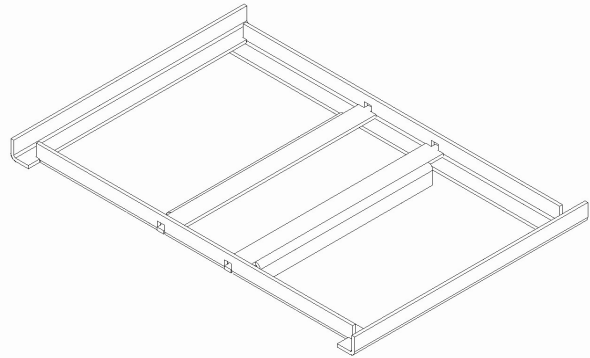




## GLEN DIMPLEX AUSTRALASIA LTD

### INSTALLING THE BAFFLE SUPPORT FRAME

Baffle support frame.



The baffle support frame needs to be positioned inside the oven above the door opening.

To install it, tilt it at an angle, so that you can move it through the door opening inside the oven. Keep the right hand side high and the left hand side low.

Maintain the tilted position of the frame and lift it upwards until you are able to move it over the protruding pins on the right hand side inside the oven. The pins are attached to the front and rear walls of the oven.

Now lift the left side upwards until the frame is horizontal and then move the frame slightly to the left until it is in the centre of the oven. It can now be lowered so that all four corners of the frame rest on the support pins.

You can now place the baffle bricks as per layout in the owner's manual.