

Masport[®]
Heating

Wood Fires

MADE IN NEW ZEALAND FOR NEW ZEALAND HOMES



www.masportheating.co.nz



Contents

Freestanding Fires

Clean Air Radiant Fires	8
Clean Air Convection Fires	10
Rural Fires	13
Multi-Fuel Fires	14

Inbuilt Fires

Clean Air Convection Fires	15
Rural Fires	17

Specifications	18
----------------	----



Welcome to Glen Dimplex New Zealand, the largest wood fire manufacturer in Australasia and the home of Masport Heating.

Superior build quality, extensive research and development, rigorous quality control and a guarantee of workmanship are values that are synonymous with Masport Heating. Glen Dimplex is the largest manufacturer of wood fires in Australasia and incorporates a high level of equipment and facilities unrivalled by any other manufacturer in New Zealand. As a consequence, our product range is extensive and offers great value for money.

We at Masport Heating have in-depth knowledge of solid fuel heating and continue to invest a great deal of time and money into innovative wood fire design and development. Our range of wood fires are a result of our intense research and over the years we have been at the forefront of the new generation of clean burning ultra efficient fires. These are advanced appliances that provide reliable warmth to the entire house and all with an amazing degree of control, economy, aesthetic appeal and environmental friendliness.

Masport heating is committed to producing the best solid fuel burners in Australasia and our confidence is reflected in our 10 year fire box warranty on our entire wood fire range. We hold operational spare parts available for purchase, for 15 years from the last date of manufacture for all models. Rest assured that you are buying a quality product from a reliable and renowned wood fire manufacturer.

For more information, please view our latest range of products on offer in this catalogue or visit our website www.masportheating.co.nz.

Wood is good

WHY BUY A WOOD FIRE?

- WOOD IS A CARBON NEUTRAL PRODUCT and unlike other fuels, burning wood generates no more carbon dioxide (CO²) than if it was left to decompose naturally.
- A MASPORT WOOD FIRE IS ENERGY EFFICIENT designed to heat your entire house.
- A WOOD FIRE HAS A MULTI PURPOSE FUNCTION which apart from being your primary heat source, can be used inline with a heat transfer/ventilation system, water heating and cooking.
- A WOOD FIRE IS A SMART AND COST EFFECTIVE METHOD OF HEATING being one of the cheapest forms of heating.
- WOOD IS A RENEWABLE ENERGY SOURCE making it a sound environmental choice.
- MASPORT HOLDS OPERATIONAL SPARES PARTS, for up to 15 years from the last date of manufacture. This gives you peace of mind and knowledge that you can service your wood fire over its lifetime. This is the advantage of buying New Zealand made.
- MASPORT OFFERS AN EXTENSIVE RANGE with many models and options to choose from.

5 GREAT REASONS TO CHOOSE MASPORT

- 1 All Masport Heating fires are made by New Zealand's largest wood fire manufacturer.
- 2 Firebox warranty up to 10 years.
- 3 Fully brick-lined firebox for efficient heating.
- 4 Huge range of low emission clean air models.
- 5 Comprehensive range of convection, radiant, rural and multi-fuel fires to suit a multitude of house designs.

Types of Fires

Clean-air Fires Pages 8-11, 15-16

THERE ARE
TWO MAIN
CATEGORIES
OF CLEAN
AIR FIRES

CONVECTION FIRES provide a more even heat by distributing warm air around the room, because hot air rises, the air in the room is warmed from the ceiling downwards. A convection fire is more suitable for a room or house with a standard ceiling height and where more even heat distribution is desired.

RADIANT FIRES heat quickly and if you sit close to them you can get warm even if the whole room has not had time to warm up. A radiant fire transfers about two thirds of its heat by radiation and one third by convection. A radiant fire is more suitable for rooms with high ceilings.

Rural Fires Pages 12, 17

RURAL FIRES
ARE IDEAL
FOR LARGE
SPACES

Large heat output, wide firebox cavity and wetback options make these fires a perfect fit for New Zealand's lifestyle and rural properties.

Rural fires are capable of a comprehensive overnight burn, making it an all in one multi-purpose appliance that offers great value for your money. They are available in a range of sizes and finishes (freestanding or inbuilt applications) to fit both new and existing fireplaces. Enquire at your local Masport Dealer for more information on rural fires.

Multi-Fuel Fires Page 12

MULTI-FUEL
FIRES OFFER
MORE HEAT

Multi-fuel fires offer more heat than traditional wood fires and have a longer burn cycle due to the use of coal with wood.*

A multi-fuel fire is a great choice if you are looking for the benefits of a standard wood fire but don't want to limit your options on what you can burn. Equipped with a grate and ash-pan, it will save you time and effort when it comes to cleaning the fire.

They are more suitable for large spacious properties that require lots of heat.

* It is advisable to confirm the proposed installation with your respective local authority.



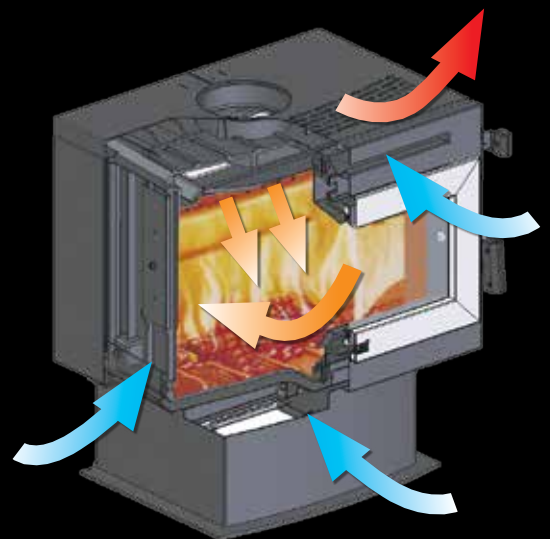
The key to an efficient, long-lasting fire lies in the design and construction of the superior cast iron firebox.

The Masport Heating cast iron fireboxes feature an advanced panel design of heat dispersing fins that can increase the surface area by up to 65%. The result is a superior wood fire that transfers heat into the room efficiently. The cast iron firebox has the ability to retain heat for longer periods of time after the fire has died down.



Triple Air Combustion Technology

Masport fireboxes have been built with a Triple Air Combustion system designed to efficiently burn all the fuel put in the fire. Primary air comes through slots with high/low control, gets preheated and drives primary combustion of fuel. It also creates an 'air wash' over the door glass, keeping it clean. Secondary air comes from either side of the firebox through the air-tube which creates turbulence and burns small, unburnt fuel particles at a very high temperature. Tertiary air comes from below the door or rear of the firebox to ensure complete combustion. This complete combustion gives better efficiency thus reducing running costs and keeping the environment clean.





R10000

Our most powerful fire ever. Supreme output and efficiency, with minimal clearances. For abundantly heating open plan spaces.

- NES and ECAN clean air (pending approval)
- Efficiently heats up areas up to 260m²
- Superior heat from a 6mm steel firebox and 8mm steel radiant cook top
- Built in Easy Clean ash pan
- 12 hour Burn time

FINISH: Metallic Black VHT

LAB OBSERVED PEAK OUTPUT: 26.4kW

EMISSIONS: 0.9g/kg

EFFICIENCY: 67.9%

DIMENSIONS (WxDxH): 790 x 715 x 799mm



POWERFUL OUTPUT
26.4kW of output to heat large areas efficiently



We hold operational spare parts for 15 years from the last date of manufacture

GENEROUS FIREBOX SIZE
Firebox of more than 100 litres, you could even burn a small tree!



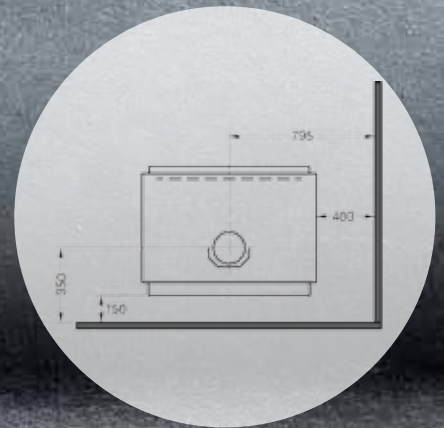
BUILT IN EASY CLEAN ASH PAN

The removable ash pan ensures cleanliness for you and your home with little effort or mess



RADIANT COOK TOP

With a large cooking surface you can prepare a feast for your home without extra costs and even if a power cut strikes



MINIMAL CLEARANCES

Low clearances to combustible materials making it an easy fit into your home with a standard ash hearth

NOW AVAILABLE WITH WATER BOOSTER

When purchasing please specify as wet or dry as water booster cannot be retrofitted.



Leg option



Pedestal option



R5000

Simply a great multi-purpose radiant fire built to produce substantial heat whilst being highly efficient.

- NES, ECAN and ORC Airshed 1 approved
- Efficiently heats up to 190m²
- Superior heat from 6mm steel firebox and 8mm radiant cook top
- Masonary fire bricks and 6mm steel baffle for efficient burning
- Leg option or Pedestal with Easy Clean ash pan option available
- Optional 2 speed Fan
- 9 hour Burn time
- **Optional water booster available, Clean air approved (2.7 kW max).**

FINISH: Metallic Black VHT

LAB PEAK OUTPUT: 19kW

EMISSIONS: 0.5g/kg **EFFICIENCY:** 71% (DRY)

EMISSIONS: 0.6g/kg **EFFICIENCY:** 66% (WET)

EMISSIONS: 0.7g/kg **EFFICIENCY:** 73% (FAN)

DIMENSIONS (WxDxH): 700 x 576 x 720mm



New Logs



R5000 Wood Stacker

Simply a great multi-purpose radiant fire built to produce substantial heat whilst being highly efficient.

- NES, ECAN and ORC Airshed 1 approved
- Efficiently heats up to 190m²
- Superior heat from 6mm steel firebox and 8mm radiant cook top
- Masonary fire bricks and 6mm steel baffle for efficient burning
- Leg option or Pedestal with Easy Clean ash pan option available
- Optional 2 speed Fan
- 9 hour Burn time
- **Optional water booster available, Clean air approved (2.7 kW max).**

FINISH: Metallic Black VHT

LAB PEAK OUTPUT: 19kW

EMISSIONS: 0.5g/kg **EFFICIENCY:** 71% (DRY)

EMISSIONS: 0.6g/kg **EFFICIENCY:** 66% (WET)

EMISSIONS: 0.7g/kg **EFFICIENCY:** 73% (FAN)

DIMENSIONS (WxDxH): 700 x 576 x 720mm





R1500 Wood Stacker

A practical storage solution teamed with heat, efficiency and style.

- NES and ECAN clean air approved
- Efficiently heats areas up to 140m²
- 6mm flat radiant cook top and 6mm steel firebox for durability
- Easy installation with ash only floor protector required
- Handy storage space for wood
- **Optional water booster available for Rural application only (1.5kW max)**

FINISH: Metallic Black VHT

EST. PEAK OUTPUT: 14kW

EMISSIONS: 0.9g/kg

EFFICIENCY: 69%

DIMENSIONS (WxDxH): 600 x 439 x 743mm



Pedestal option



Leg option



R1500

Supreme balance between heat output, design and price.

- NES and ECAN clean air approved
- Efficiently heats areas up to 140m²
- 6mm flat radiant cook top and 6mm steel firebox for durability
- Easy installation with ash only floor protection required
- Leg option or Pedestal option available
- **Optional water booster available for Rural application only (1.5 kW max)**

FINISH: Metallic Black VHT

EST. PEAK OUTPUT: 14kW

EMISSIONS: 0.9g/kg

EFFICIENCY: 69%

DIMENSIONS (WxDxH): 600 x 452 x 658mm



OSBURN 1600

Environmentally friendly and one of the best freestanding clean air fires on the market.

- NES, ECAN and ORC airshed1 clean air approved
- Heavy steel construction with 8mm flat radiant cook top
- Built-in ash pan within pedestal for easy cleaning
- Efficiently heats areas up to 210m²
- 12 hour Burn time
- **Also available as a wetback model, when purchasing please specify as waterbooster cannot be retrofitted**

FINISH: Metallic Black VHT

LAB PEAK OUTPUT: 21.96kW

EMISSIONS: 0.7g/kg dry and wet

EFFICIENCY: 70% (Dry), 67% (Wet)

DIMENSIONS (WxDxH): 635 x 618 x 743mm



ATLANTA BAY

An efficient and practical solution to warm up large spacious areas.

- NES and ECAN approved
- Efficiently heats areas up to 230m²
- 6mm steel firebox for durability
- Removable top grill for cooking
- Easy installation with ash only floor protection required
- Lined with masonry fire bricks for efficient burning
- An optional fan is available for rural application only. It can provide an additional heat output of 2.7kW
- **Optional water booster available, Rural application only (2.2 kW max)**

FINISH: Matte Black Enamel

LOUVRE/GRILL: Silver

EST. PEAK OUTPUT: 23kW

EMISSIONS: 1.1g/kg (complies with AQL2 @ 72mg/Mj and therefore eligible for the Canterbury Region)

EFFICIENCY: 77.4%

DIMENSIONS (WxDxH): 640 x 660 x 754mm



HESTIA 2

Clean and efficient heat using convection technology.

- NES, ECAN and ORC Airshed1 clean air approved
- Efficiently heats areas up to 190m²
- 6mm steel firebox for durability
- Lined with masonry fire bricks for efficient burning
- Easy installation with ash only floor protection required
- Optional convection fan (rural use only)
- Wide door glass gives an unparalleled view of the fire
- **Optional water booster available for Rural application only (2.2 kW max)**

FINISH: Matte Black Enamel

LOUVRE/GRILL: Silver

EST. PEAK OUTPUT: 19kW

EMISSIONS: 0.6g/kg **EFFICIENCY:** 66%

DIMENSIONS (WxDxH): 640 x 523 x 706mm





F3300C

Enjoy the unparalleled ambience of a great wood burner that's built to last.

- NES, ECAN and ORC Airshed1 clean air approved
- Efficiently heats areas up to 190m²
- Superior heat from a fully finned 6mm cast iron firebox
- Triple air combustion system
- Easy installation with ash only floor protection required
- Fitted with masonry fire bricks and steel fire baffle
- Smooth release door latch with adjustable door hinge
- **Optional water booster available, Clean air approved (2.7 kW max)**

FINISH: Matte Black Enamel

LOUVRE/GRILL: Titanium and black

EST. PEAK OUTPUT: 19kW

EMISSIONS: 0.54g/kg **EFFICIENCY:** 66%

DIMENSIONS (WxDxH): 662 x 566 x 755mm



F3000

A modern day fire that will look good in any home application.

- NES, ECAN and ORC Airshed1 clean air approved
- Efficiently heats areas up to 190m²
- Superior heat from a fully finned 6mm cast iron firebox
- Triple air combustion system
- Easy installation with ash only floor protection required
- Fitted with masonry fire bricks and steel baffle for durability
- Smooth release door latch with adjustable door hinge
- Removable top grill for cooking
- **Optional water booster available for Rural application only (2.7 kW max)**

FINISH: Black Enamel

TRIM: Metallic Black VHT paint

EST. PEAK OUTPUT: 19kW

EMISSIONS: 0.6g/kg **EFFICIENCY:** 69%

DIMENSIONS (WxDxH): 662 x 505 x 755mm





Pedestal option

Leg option



R1500 RURAL

Supreme balance between heat output, design and price.

- NES and ECAN clean air approved
- Efficiently heats areas up to 140m²
- 6mm flat radiant cook top and 6mm steel firebox for durability
- Easy installation with ash only floor protection required
- Leg option or Pedestal option available
- **Optional water booster available for Rural application only (1.5 kW max)**

FINISH: Metallic Black VHT

EST. PEAK OUTPUT: 14kW

EMISSIONS: 0.9g/kg

EFFICIENCY: 69%

DIMENSIONS (WxDxH): 600 x 452 x 658mm



R5000 RURAL

Everything a rural fire ought to be; heating, cooking and water heating.

- Efficiently heats up to 190m²
- Superior heat from 6mm steel firebox and 8mm radiant cook top
- Masonry fire bricks and 6mm steel baffle for efficient burning
- Overnight burn
- Optional 2 speed fan
- Available in Pedestal option only
- **Optional water booster available (2.7 kW max)**

FINISH: Metallic Black VHT

EST. PEAK OUTPUT: 19kW

DIMENSIONS (WxDxH): 700 x 576 x 720mm



KRONOS MULTI-FUEL

The Kronos Multi-fuel is a great dual energy efficient option that burns coal, wood or a combination of both.

- Efficiently heats areas up to 230m²
- Generously sized firebox for a longer burn cycle
- Large 8mm radiant cook top
- 6mm steel firebox for durability
- Lined with ceramic fire bricks for efficient burning
- 'Easy Roll' door lock mechanism
- NES exempt (confirm with local authority)
- Unique pedestal base complete with ash pan for easy cleaning
- **Stainless steel water booster option for water heating (2.2kW)**

FINISH: Matte Black Enamel

EST. PEAK OUTPUT: 23kW

DIMENSIONS (WxDxH): 700 x 547 x 712mm

The New Masport Opti-flue

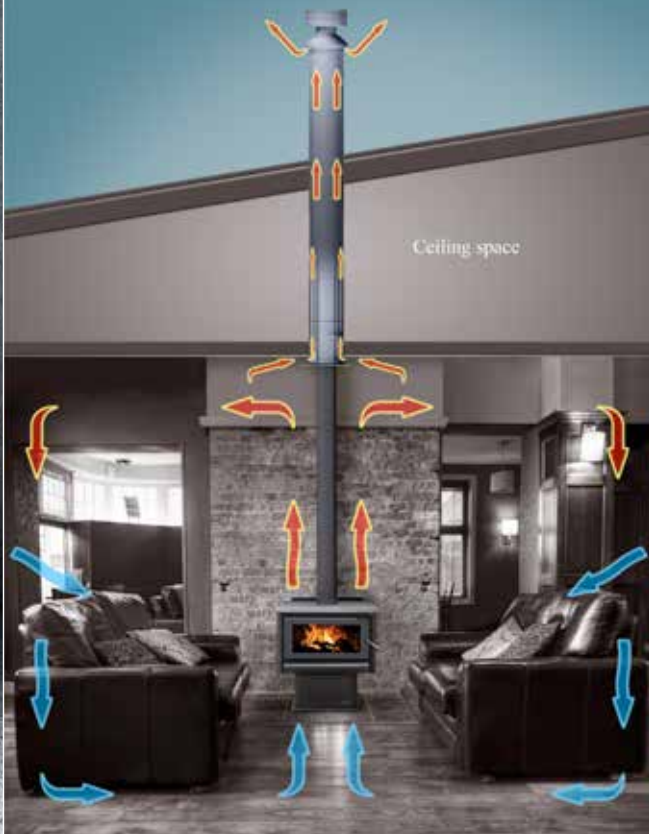
for even more efficient heating

The new Opti-flue from Masport heating is the result of years of extensive research and development. It increases efficiency in your flue system without losing any heat from your room, by taking unutilised air from within your ceiling cavity or from the outdoors (depending on your application).

A standard system takes air from within the room to cool the outer casings of your flue. With the Opti-flue air is pulled between the outer casings (250mm and 200mm) it is then drawn up between the inner casings (200mm and 150mm) keeping them cool, this reduces heat loss to your room.

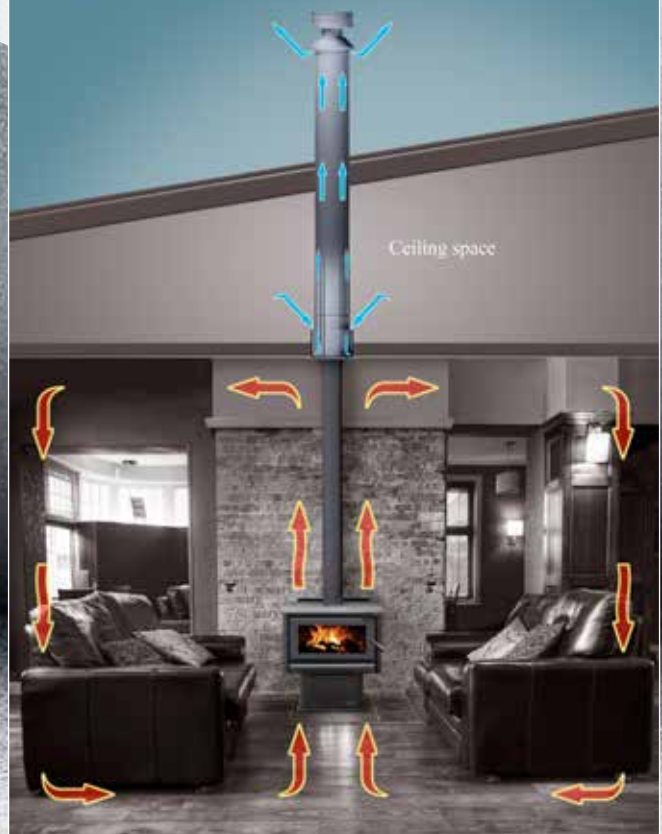
Masport Opti-flue has versatile options. It can be installed in new or existing homes, with or without a ceiling cavity and for flat or sloping ceilings. Your Masport Opti-flue is available at all Masport wood fire dealers.

Standard flue operation

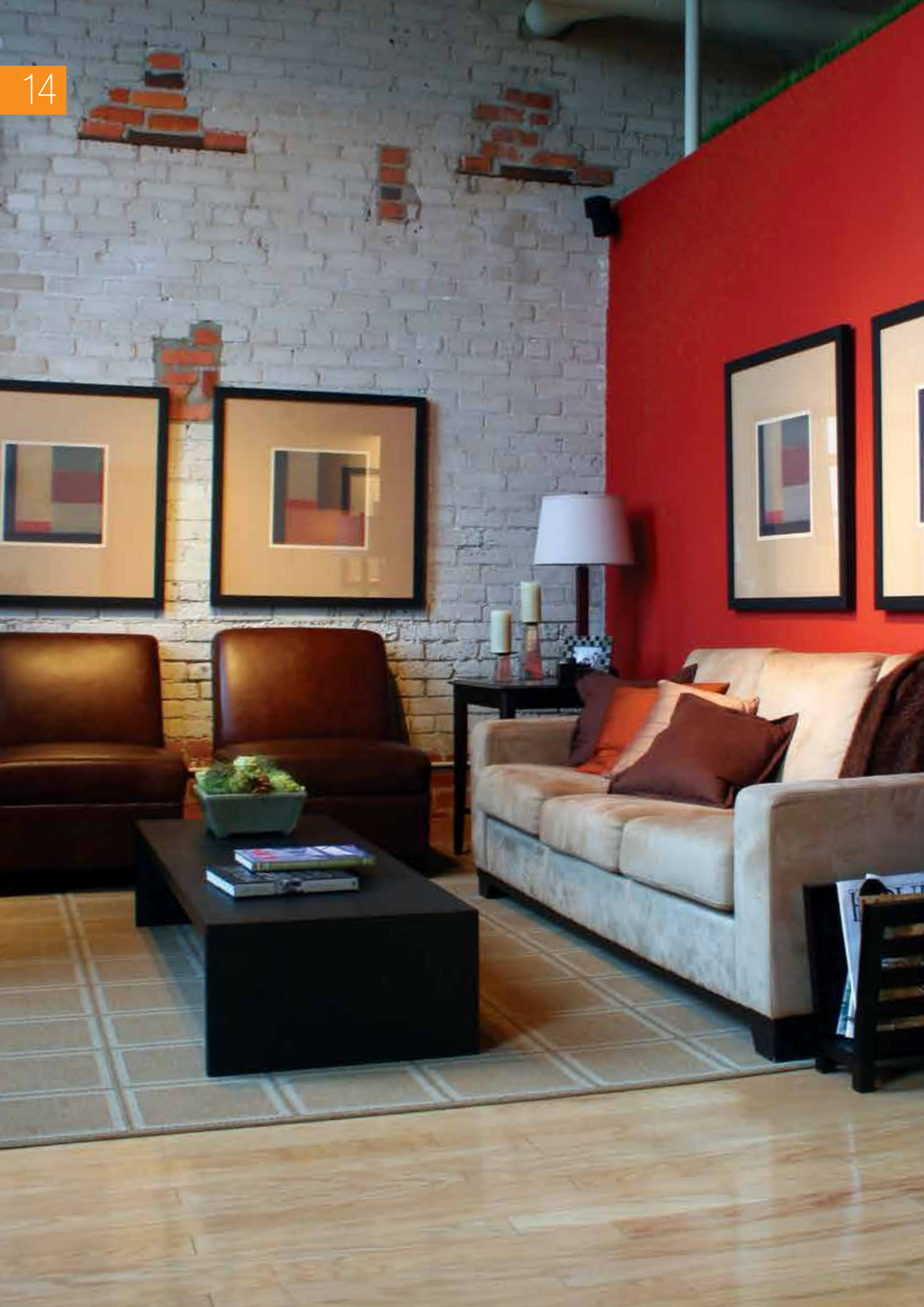


How a standard flue works, taking existing air from inside your room to cool the external layers of your flue.

Opti-flue operation



How an Opti-flue works, taking air from un-utilised space like your ceiling cavity to cool the external layers of your flue, therefore, leaving all the all the warm air to heat up your room.





I3000



Beauty and performance all in one great package.

- NES, ECAN and ORC Airshed1 clean air approved
- Efficiently heats areas up to 140m²
- Superior heat from a generously sized steel fire box
- Triple air combustion system
- Fitted with masonry fire bricks and steel fire baffle
- Suitable for masonry and timber framed (Z/C) recessed installations
- **Optional water booster available, clean air approved (NES and ECAN) 1.5kW max**

FINISH: Matte Black Enamel

LOUVRE/GRILL: Black

LAB TESTED PEAK OUTPUT: 14kW

EMISSIONS: 0.4g/kg **EFFICIENCY:** 68%

FASCIA DIMENSIONS (WxH): 900 x 660mm (Masonry) 900 x 700mm (Z/C)



I5000



Sleek contemporary looks that define extraordinary fires from the ordinary.

- NES, ECAN and ORC Airshed1 clean air approved
- Efficiently heats areas up to 125m²
- Superior heat from a fully finned 6mm cast iron firebox
- Triple air combustion system
- Fitted with masonry fire bricks and steel baffle for durability
- Suitable for masonry and timber framed (Z/C) recessed installations

FINISH: Black VHT paint

LOUVRE/GRILL: Black powder coat

LAB TESTED PEAK OUTPUT: 12.5kW

EMISSIONS: 0.7g/kg

EFFICIENCY: 66%

FASCIA DIMENSIONS (WxH): 820 x 692mm (Masonry) 820 x 740mm (Z/C)



LE 4000



Transform your existing masonry fireplace into a dramatic modern feature with the LE 4000.

- NES, ECAN and ORC Airshed 1 clean air approved
- Efficiently heats areas up to 160m²
- Substantial heat from a fully finned 6mm steel firebox, triple air combustion system and heat exchanger technology
- Standard single-speed fan for optimal heat circulation
- Suitable for masonry and timber framed (Z/C) recessed installations

FINISH: Black Powder Coat (matte black enamel door)

LOUVRE/GRILL: Black

EST. PEAK OUTPUT: 16kW

EMISSIONS: 0.6g/kg **EFFICIENCY:** 67%

FASCIA DIMENSIONS (WxH): 965 x 700mm (Wide)
845 x 680mm (Slim) 965 x 750mm (Z/C)



I9000

Big, bold and striking, the I9000 adds great visual impact and plenty of heat for large, spacious areas.

- Efficiently heats areas up to 240m²
- Superior heat from a fully finned 6mm cast iron firebox and triple air combustion system
- Fitted with masonry fire bricks and steel baffle for durability
- Easy access 2 speed fan assembly
- Only available as a Zero Clearance model. Suitable for masonry recess and new Z/C applications with the Zero Clearance box
- Easy installation with minimum floor protection required
- **Optional water booster available (2.7kW max)**

FINISH: Metallic Black VHT paint

TRIM: Metallic Black VHT paint

EST. PEAK OUTPUT: 24kW

FASCIA DIMENSIONS (WxH): 1024 x 847mm



Inbuilt Zero Clearance (ZC)

Have you ever wanted to have an attractive insert fireplace but been put off by the need for an expensive remodelling of your house?

Now, thanks to Masport Heating, almost any wall can be quickly and safely converted to accommodate an insert fireplace with the Masport Zero Clearance (ZC) range of fires -

I3000, I5000, LE4000, LE7000 and I9000.

This range enables you to have an insert fireplace installed into almost any wall, while protecting floors and walls constructed from combustible materials.



Illustration images only



Minimum distance to heat sensitive materials (mm) - when a flue heat deflector is fitted as per standard AS/NZS 2918:2001

MODEL	FLUE SHIELD	FLOOR PROTECTOR TYPE	FLOOR PROTECTOR THICKNESS	A	B	C	D	E	F	G	H	I	J	K	L	M	N	R	W
F3000	MDS	AFP	N/A	75	250	300	136	50	293	581	390	633	933	860	1118	1015	567	551	662
F3300C	MDS	AFP	N/A	100	300	300	136	100	318	631	440	633	933	892	1196	1069	574	622	662
ATLANTA BAY	MDS	AFP	N/A	160	250	300	130	50	294	570	371	600	900	1062	1293	1126	768	525	640
HESTIA 2	MDS	AFP	N/A	50	340	300	130	25	213	660	366	600	900	820	1125	1008	607	518	640
KRONOS MULTI FUEL	KDS	ASH	N/A	170	330	300	100	160	377	680	514	600	900	1013	1362	1175	636	726	700
R1500L/P	MDS	AFP	N/A	110	290	300	111	55	285	590	382	522	822	835	1091	956	550	541	600
R1500WS	MDS	AFP	N/A	110	290	300	111	100	285	590	427	522	822	835	1154	1001	550	604	600
R1500 RURAL	MDS	AFP	N/A	110	290	300	111	55	285	590	382	522	822	835	1091	956	550	541	600
R5000 L/P	MDS	AFP	N/A	128	200	300	100	85	324	550	441	600	900	968	1268	1109	644	624	700
Mackenzie R10000	RDS	AFP	N/A	150	400	300	87	160	350	795	550	664	964	1070	1498	1294	720	778	790
Osburn 1600 Dry & MKII Wet	MDS	AFP	N/A	100	360	300	81	150	301	678	484	496	796	1002	1385	1155	701	684	635

FLUE SHIELDS:

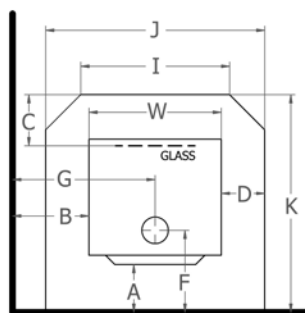
- MDS** Masport Double Skin Flue Shield 1200mm long
MDS Masport Double Skin Flue Shield 1200mm long with diverter plate
KDS Masport KRONOS Double Skin Flue Shield 1200mm long with heat diverter plate
RDS Masport Mackenzie R10000 Double Skin Flue shield 900mm long with special heat diverter and ceiling plate.

FLOOR PROTECTOR:

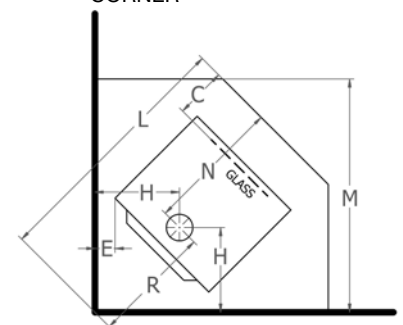
- AFP** Ash Floor Protector
IFP Insulated Floor Protector

NOTE: *These dimensions apply when a rear heatshield is fitted to the heater and no side-fitting warming shelves are fitted.

PARALLEL



CORNER



NB: It is important to note that this dimension page is a guide only. Please refer to the installation manual supplied with the fire for accurate manufacturer recommendations.

All details are available on www.masportheating.co.nz

Note: Clearances are for fire hazard only. For durability of finishes or surfaces you should contact the relevant manufacturer for their specification. Glen Dimplex Australasia Ltd accepts no responsibility for the deterioration of surfaces or finishes.

For full warranty details refer to your owner's manual. All heaters must be installed and serviced by an authorised installer. Due to ongoing enhancements, specifications may change without notice. Some pictures and settings are for illustration purpose only. Consult your dealer for fires available in your area.

	Clean Air Convection Freestanding Fires									
	Atlanta Bay		F3300C			Hestia2		F3000**		
Peak output (kW)	23		19			19		19		
	Clean Air Radiant Fires					Clean Air Inbuilt Fires				
	R5000**	R1500**	R1500 W/S**	Osburn 1600**	R10000**	LE4000		I3000		I5000
Peak output (kW)	19*	14	14	21.9*	26.4	16		14*		12.5*
	Rural Freestanding and Inbuilt Fires					Multi-Fuel Fires				
	R5000R**		I9000		R1500	Kronos MF**				
Peak output (kW)	19*		24		14	23				

*Lab tested peak heat output. Heat output and burn time will vary depending on fuel size, type and moisture content.

** These models have a cooktop ability. Please ensure cookware is used and food is not put directly on the wood fire surface. Over time cooking on your wood fire may alter the appearance, this is not covered under warranty.

Water heating booster tubes can be fitted to Masport wood fires but the local emission regulations in some areas may preclude their use on some models

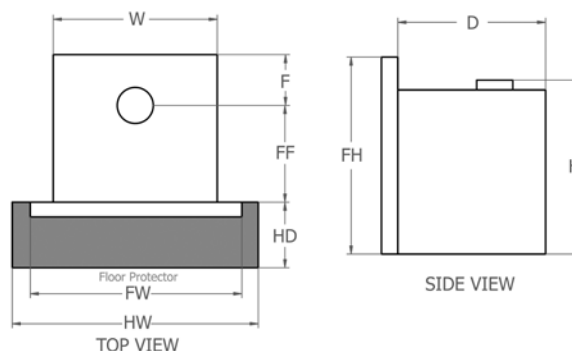
Dimensions and minimum floor protector sizes as per standard AS/NZS 2918:2001

MODEL	TYPE	FASCIA	FLOOR PROTECTOR TYPE	FLOOR PROTECTOR THICKNESS	D	H	W	F	FF	FH	FW	HW	HD *
I3000	INSERT	STD	IFP-1	>33	510	587	630	100	410	660	900	900	362
I3000 Z/C	INBUILT	STD	ASH	N/A	607	652	770	197	410	700	900	900	362
I5000	INSERT	STD	IFP-4	>50	470	620	600	162	308	692	820	875	369
I5000 ZC	INBUILT	STD	IFP-1	>50	526	696	714	222	304	740	820	875	334
I9000 Z/C	INBUILT	STD	IFP-3	>50	612	786	852	264	348	847	1024	1025	525
LE4000 PROVINCIAL	INSERT	WIDE	IFP-3	>50	420	560	590	100	320	680	965	935	345
LE4000 PROVINCIAL	INSERT	SLIM	IFP-3	>50	420	560	590	100	320	700	845	935	345
LE4000 PROVINCIAL Z/C	INBUILT	STD	IFP-3	>50	525	700	715	205	320	750	965	935	345

FLOOR PROTECTORS:

- IFP-1** One layer of 6mm thick PROMATECT-H & 8mm thick tiles
- IFP-3** Two layers of 16mm thick MICORE 160 & one layer of 6mm fibre cement sheet & tiles
- IFP-4** One layer of 12mm thick PROMATECT-H & one layer of 6mm fibre cement sheet & tiles
- ASH** Ash Floor Protector

NOTE: *For other floor protector thicknesses the HD dimension changes. See installation instructions.



Installation

When installed in the correct manner as shown in the Masport Heating Installation Manual (supplied with the fire), your fire will provide a cleaner and more energy efficient warmth. Masport Heating recommends that all installation work be carried out by an installer who has completed the NZHHA certification programme. We recommend that your Masport Fire is installed with an approved Masport flue kit.

Guaranteed For 10 Years

As a sign of our commitment to quality, all new Masport fire boxes are guaranteed for 10 years. We warranty our fire boxes to be free from defects in material or workmanship under normal use and service. The Warranty (on the cast iron or steel firebox excluding attachments) is for 10 years from the date of purchase. * 1 Year warranty on all internal fire parts. 5 Year warranty on all multi-fuel fire boxes.

Glossary

- NES** National Environmental Standards set by Ministry for the Environment.
- ECAN** Environment Canterbury and Nelson Regional Council emission standards.
- ORC Airshed 1** Otago Regional Council Airshed 1 emission standards.
- RURAL** For installation on a section of 2 hectares or more.

Your nearest Masport dealer:



Glen Dimplex New Zealand Ltd
PO Box 58473, Botany, Auckland
www.masportheating.co.nz

Glen Dimplex New Zealand Ltd's policy is one of continuous development. We reserve the right to change size and specifications without notice. For confirmation of Masport Heating product details please refer to www.masportheating.co.nz. Please refer to the installation and operation instructions before having your Masport Wood Fire installed. A full set of these instructions is supplied with each fire.

OVERNIGHT BURN: It is possible to achieve an overnight burn, when using a mixture of pine and hardwood, burn period may vary due to factors such as moisture, density of fuel, environmental factors and how the unit is operated.