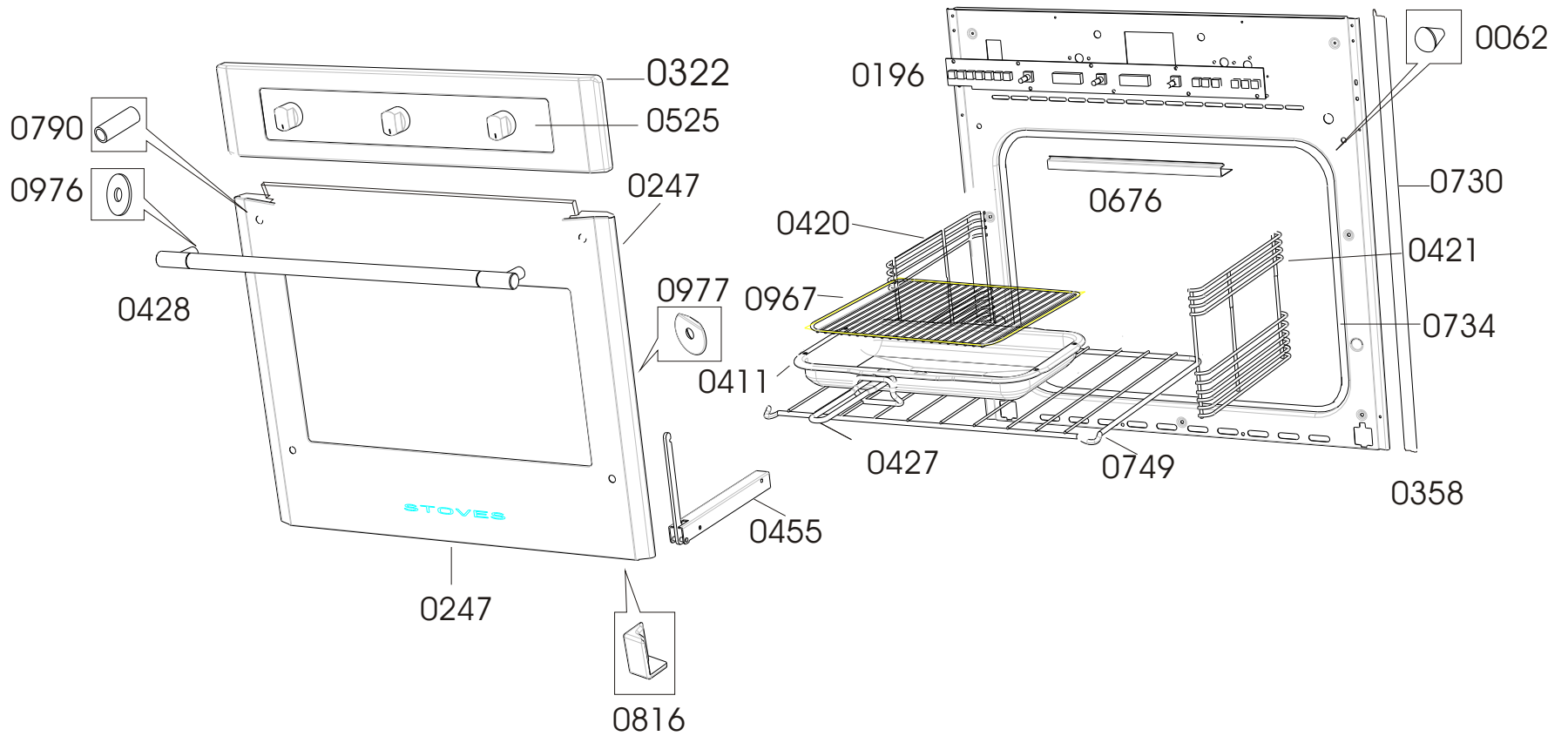


PRODUCT: STOVES 607MF-AU Sta
 COLOUR: Sta
 CODE: **444447965**
 ISSUE: 1
 DATE: 20/07/2006



Key	Product	Product Description	TCO	Replace	Date	Qty
0182	082101600	CLIP tubular				2
0247	082911308	GLASS inner main oven				1
0247	012898936	DOOR assy ovn gls (glued) sta				1
0286	082230600	ELEMENT base KB				1
0287	081561400	ELEMENT grill dual KB				1
0294	081561600	ELEMENT oven fan (2.5kw) KB				1
0314	082233401	FAN cooling DP200A-2123XST				1
0315	082868400	FAN oven circulation				1
0322	012891009	FACIA glass assy 607MF sta				1
0411	602517702	GRILL PAN (pristine)				1
0412	082469100	GRIP handle grill pan				1
0420	082917304	GUIDE shelf large lh				1
0421	082917305	GUIDE shelf large rh				1
0424	082731400	HANDBOOK STOVES 607MF-AU				1
0427	082283705	HANDLE grill pan				1
0428	082575400	HANDLE assy				1
0455	082821001	HINGE oven				2
0525	082589109	KNOB control electric Sta				3
0544	082905500	LAMP oven				2
0564	602598800	MEATTIN (pristine)				1
0620	082903200	PCB control board				1
0620	082820001	POWERBOARD ASSY.				1
0710	082574501	RTD top oven				1
0728	080180696	Screw M4x30 pozi csk bl zinc				2
0728	080180676	SCREW m6x30 pp mc				2
0730	082800600	SEAL edge 580mm				2
0734	082501400	SEAL oven 50m roll				1.5
0749	082917403	SHELF main oven 452 wide				2
0783	082829500	SLEEVE control knob				3
0783	082800801	SLEEVE oven lamp				2
0790	082501002	SPACER handle (Vision unclad)				2
0791	082554300	SPACER oven fan				3
0816	082510800	STOP inner glass				2
0880	082808901	SWITCH thermal L100c				1
0967	082518800	TRIVET grill pan				1
0995	082918300	WIRING DIAGRAM				1

ELECTRIC BUILT-IN OVENS DOOR ,FACIA AND FRONT FRAME ASSEMBLY



ELECTRIC BUILT-IN OVEN CAVITY ASSEMBLY

