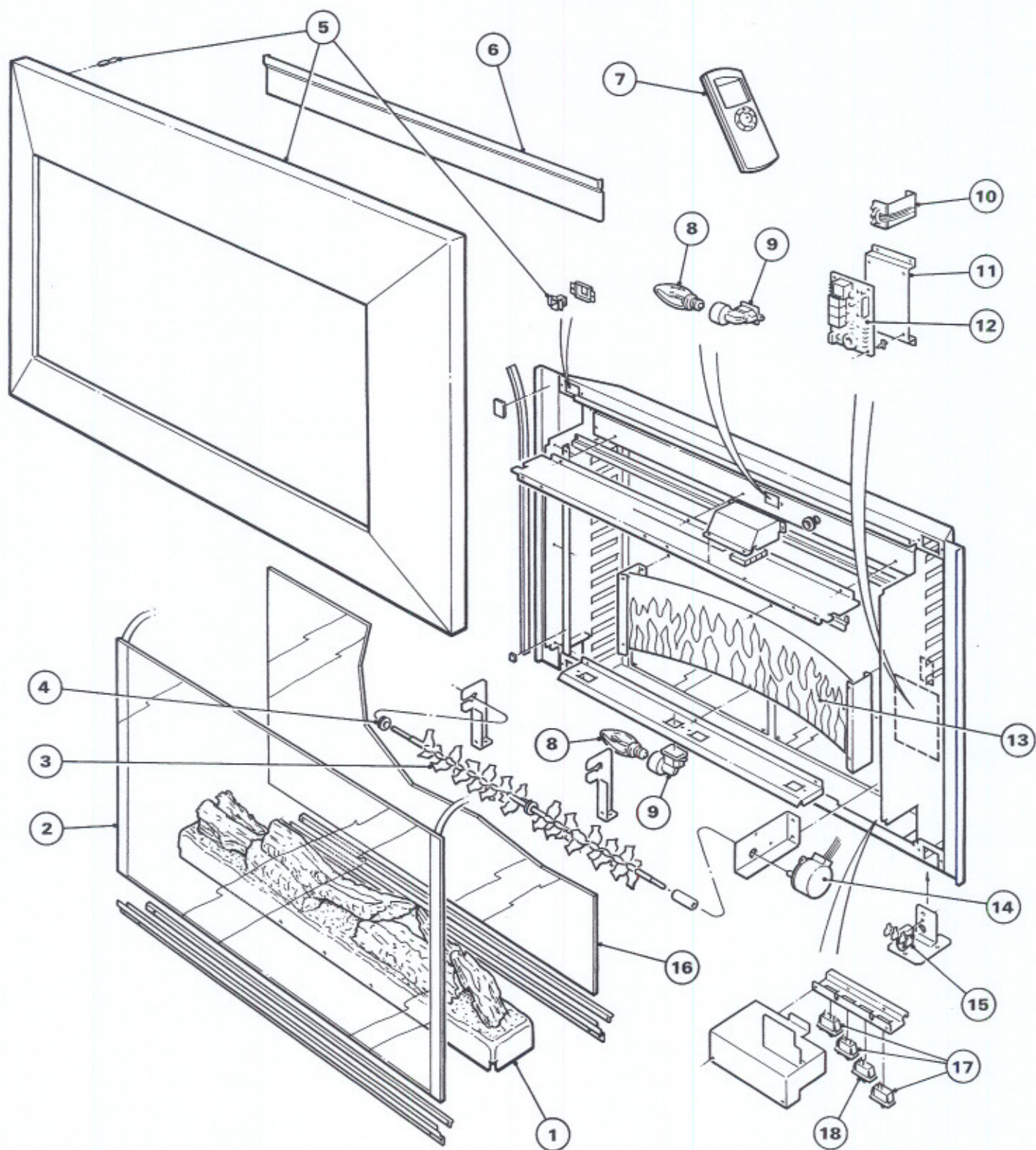


WALL FIRE SP420



WALL FIRE SP420

**PARTS LIST****SP4 / SP9**

ITEM	CAT NO	WATTS	VOLTS	DESCRIPTION	COLOUR	MODEL
1	FP04006			LOG EFFECT		
2	FP04007			FRONT GLASS		
3	FP04008			ROTISSERIE		
4	FP9554			ROTISSERIE GROMMET		
5	FP04013			FRAME ASSY INC PINS		SP4
	FP04077			FRAME ASSY INC PINS		SP9
6	FP04009			WALL BRACKET PACK		
7	POA			REMOTE		
8	FP03022	60		CANDLE LAMPS		
9	FP9610			LAMPHOLDER		
10	FP02033			PCB SUPPORT POST		
11	FP04003			PCB BOARD MOUNTING BRACKET		
12	FP02034			PCB		
13	FP04002			REFLECTOR		
14	FP03020			GEARED 15RPM MOTOR		
15	BF7469			TERMINAL BLOCK		
16	FP04005			INNER GLASS		
17	BF7211			SWITCH		
18	FP02035			HIGH INRUSH SWITCH		
N/S	FP03018			LAMP REFLECTOR		
N/S	FP04004			GEARED MOTOR BRACKET		
N/S	FP9939			MOTOR COUPLING		