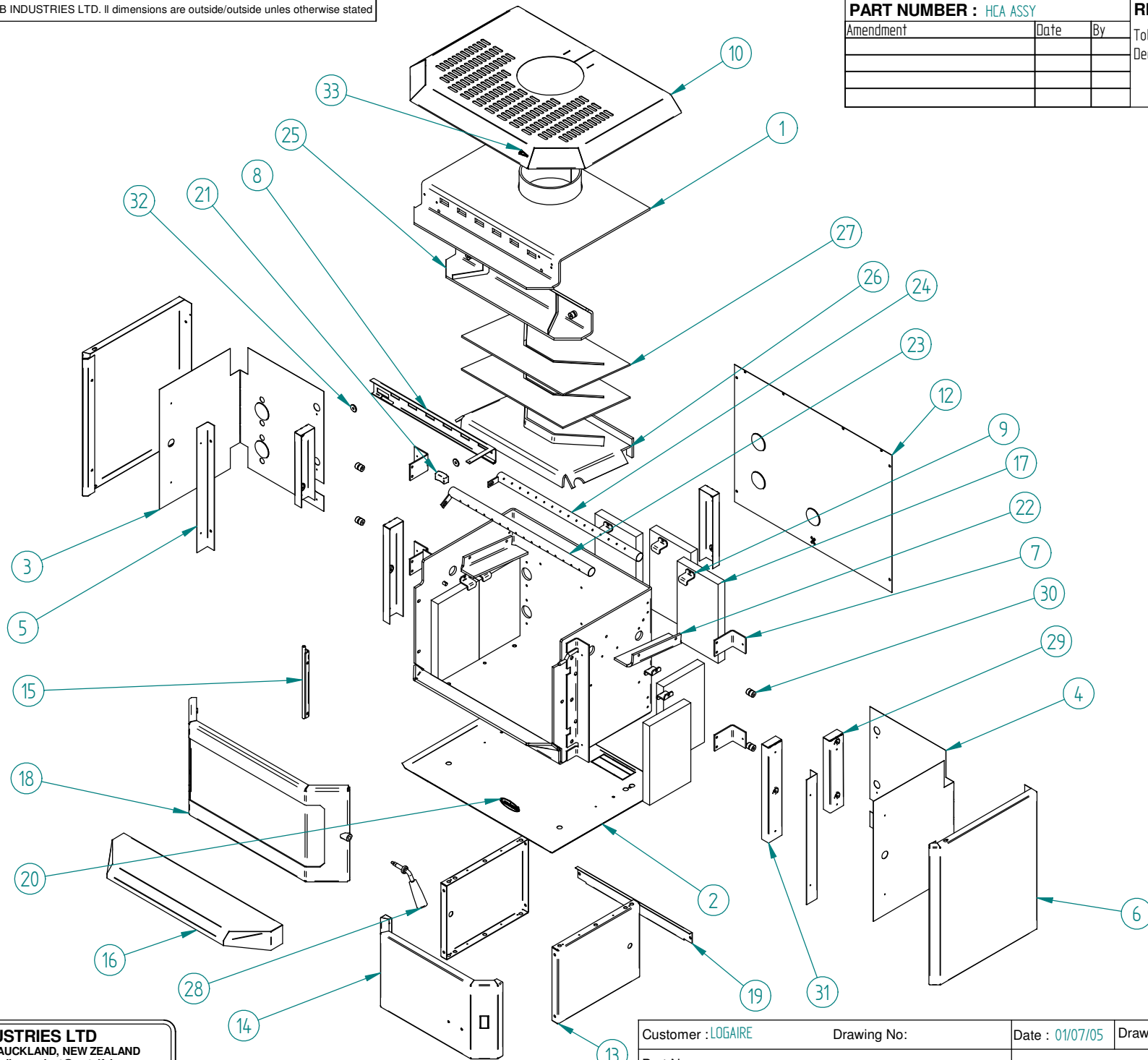


PART NUMBER : HCA ASSY

REVISION LEVEL :

Amendment	Date	By

Tolerances Unless Specified		
Decimal Places	0	+/- 0.5
	0.0	+/- 0.1
	0.00	+/- 0.05



Weight = 0.000 kg

METAL FAB INDUSTRIES LTD
 38 HARRIS ROAD, EAST TAMAKI, AUCKLAND, NEW ZEALAND
 Ph 09 274 8265, Fax 09 274 8472, Email : engdept@metalfab.co.nz

Customer : LOGAIRE	Drawing No:	Date : 01/07/05	Drawn By: Solid	Checked By :
Part Name : HCA ASSEMBLY		Material :		Finish : Natural

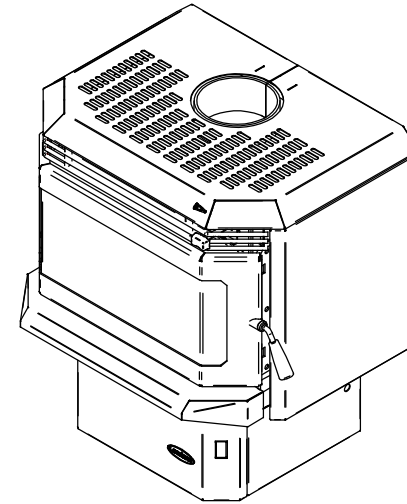
PART NUMBER : HCA ASSY

REVISION LEVEL :

Amendment	Date	By

Tolerances Unless Specified
 Decimal Places 0 +/- 0.5
 0.0 +/- 0.1
 0.00 +/- 0.05

Item Number	Document Number	Title	Material	Quantity
1	HCAAC004	HCA FIRE BOX ASSY		1
2*	HBA00176	HBA BASE HEAT SHIELD	Zintec 1.0 mm	1
3	HBA00039	HBA INNER HEAT SHIELD	Zintec 0.8mm	1
4	HBA00040	HBA R/H INNER HEAT SHIELD	Zintec 0.8mm	1
5*	ATN00009	ATN SIDE PANEL ANGLE	COLD ROLL 1.2MM	2
6	HBA00006	HBA SIDE PANEL	Enamel 1.6mm	2
7	ATN00130	ATN BODY MOUNT BRACKET	COLD ROLL 3.0MM	4
8*	ATN00036	ATN AIR SLIDE	Zintec 2.0 mm	1
9	HBA00118	HBA BRICK RETAINER	Hot Roll 3.0mm	7
10	HBAAC001	HBA TOP PANEL COMPLETE		1
11*	HBAAC017	HBA LOUVRE ASSEMBLY		1
12	HBA00012	HBA REAR HEAT SHILED	ZINTEC 1.0MM	1
13	ATN00178	ATN PEDESTAL SIDES	ENAMEL 1.6MM	2
14*	ATN00177	ATN PEDESTAL FRONT	ENAMEL 1.6MM	1
15*	ATNAC190	ATN HINGE PLATE ASSEMBLY		1
16	HBAAC011	HBA ASH SHELF ASSEMBLY		1
17	MIC00354	MIC BRICK	MASONRY	7
18	HBAAC730	HBA FINISHED DOOR ASSEMBLY		1
19	HBA00179	HBA PEDESTAL STIFFENER	ZINTEC 1.2MM	1
20*	MIC00740	LOGAIRE BADGE	CAST	1
21	MIC00375	MIC AIR SLIDE HANDLE	PLASTIC	1
22	HBA00116	HBA BAFFLE SUPPORT	Hot Roll 6.0mm	2
23*	HBAAC138	HBA FRONT AIR BAR ASSEMBLY		1
24*	HCAAC136	HCA REAR AIR BAR ASSEMBLY		1
25*	HBAAC102	HBA AIR DEFLECTOR COMPLETE		1



Item Number	Document Number	Title	Material	Quantity
26	HCAAC109	HCA BAFFLE ASSY		1
27	HCA00348	INSULATION BLANKET		2
28	MICAC373	MIC DOOR SPINDLE ASSEMBLY		1
29	HCA00164	CA SEC AIR CHANNEL	Cold Rolled 1.2mm	3
30	HBA00129	HBA AIR DEFLECTOR SPACER	16MM BMS FREE MACHINING	4
31	MIC00123	MICROS SEC AIR CHANNEL	Cold Rolled 1.2mm	2
32	MIC00083	LOGAIRE METRO AIR SLIDE SPACER	7/8" BMS FREE MACHINING	2
33	MIC00744	MIC HILO BADGE	CAST	1

Weight = 0.000 kg

METAL FAB INDUSTRIES LTD
 38 HARRIS ROAD, EAST TAMAKI, AUCKLAND, NEW ZEALAND
 Ph 09 274 8265, Fax 09 274 8472, Email : engdept@metalfab.co.nz

Customer : LOGAIRE	Drawing No:	Date : 01/07/05	Drawn By: Solid	Checked By :
Part Name : HCA ASSEMBLY		Material :	Finish : Natural	