

This drawing is the Property of METAL FAB INDUSTRIES LTD. All dimensions are outside/outside unless otherwise stated

Item Number	Document Number	Title	Material	Quantity
1*	MIRAC004	MIC FIREBOX ASSEMBLY		1
2*	MIC00130	MIC REAR BODY MOUNT BRKT	Cold Roll 3.0mm	4
3	MIC00135	MIC WET BACK COVER PLATE	Cold Roll 3.0mm	1
4	HBA00118	HBA BRICK RETAINER	Hot Roll 3.0mm	7
5*	MICAC138	MIC AIR BAR ASSEMBLY		1
6*	MIC00354	MIC BRICK	MASONRY	6
7*	MIC00355	MIC BRICK HALF	MASONRY	1
8	MIC00083	LOGAIRE METRO AIR SLIDE SPACER	7/8" BMS FREE MACHINING	2
9	MIC00116	MIC BAFFLE SUPPORTS	HOT ROLL 6.0MM	2
10	MICAC109	MIC BAFFLE SUB ASSEMBLY		1
11	MIC00079	LOGAIRE CATCH PIN	FCMS 10mm DIA	1
12*	MICAC190	MICROS DOOR HINGE ASSMBLY		1
13	MICAC730	MIC FINISHED DOOR ASSEMBLY		1
14*	MIR00006	MIR SIDE PANEL L/H	COLD ROLL 1.2MM	1
15	MIR00007	MIR SIDE PANEL R/H	COLD ROLL 1.2MM	1
16*	MIR00012	MIR REAR HEAT SHIELD	ZINTEC 0.8MM	1
17*	MIR00380	MIR REAR LEG	COLD ROLL 1.6mm	2
18*	MIR00381	MIR LEFT FRONT LEG	COLD ROLL	1
19*	MIR00382	MIR RIGHT FRONT LEG	COLD ROLL	1
20	MIR00179	MIR SIESMIC BRACKET	COLD ROLL 2.0MM	2
21	MIRAC011	MIR ASH SHELF COMPLETE		1
22*	MIC00740	LOGAIRE BADGE	CAST	1
23	MIR00176	MIR BASE HEAT SHIELD	ZINTEC 0.8MM	1
24*	MICAC036	MIC AIR SLIDE		1
25	MIC00102	MIC AIR DEFLECTOR	COLD ROLL 3.0MM	1
26	F0M6X12-HB-SC-ZP	BOLT M6 X 30 ZINC PLATED	Purchased	1

Weight = 0.000 kg

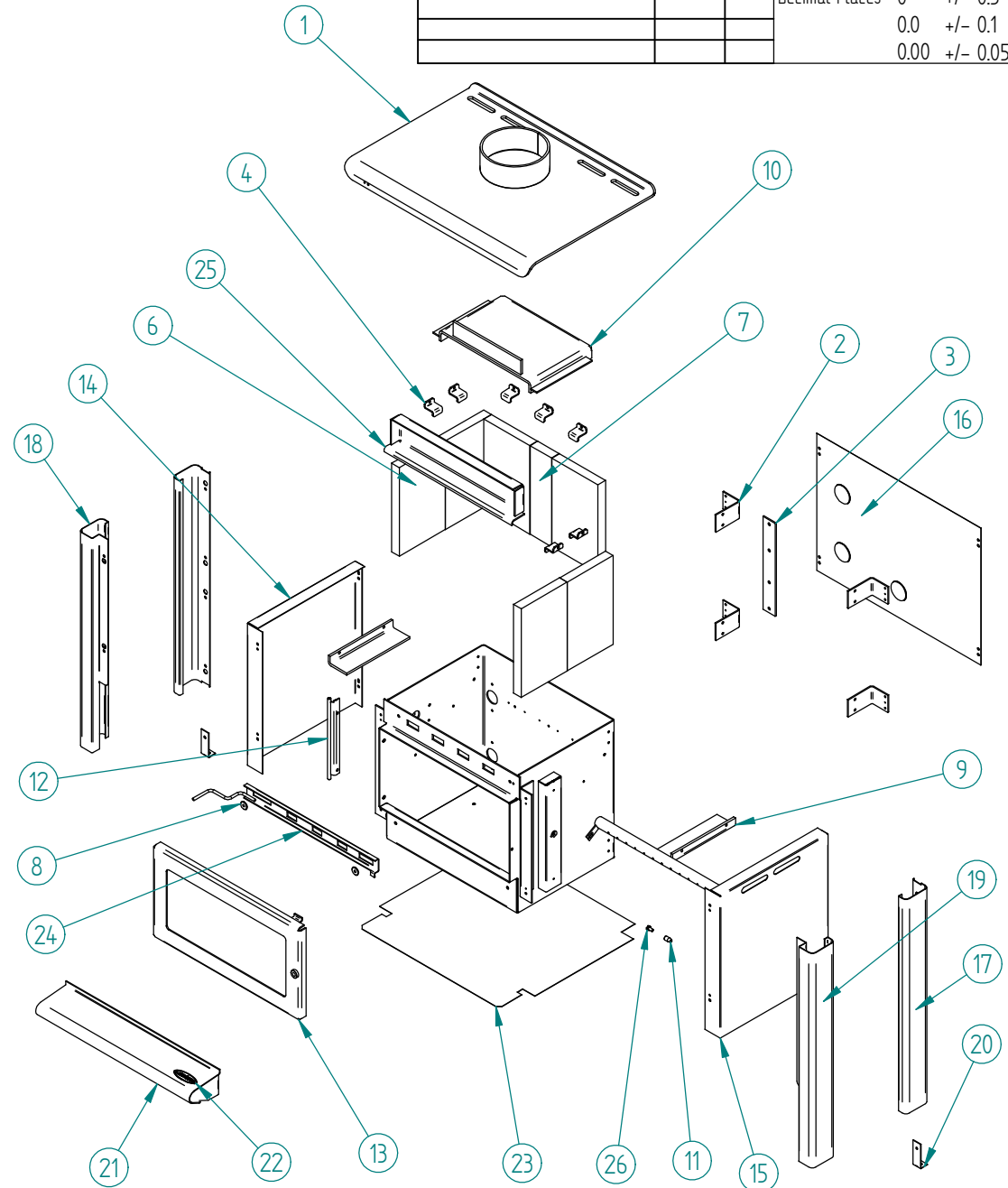
METAL FAB INDUSTRIES LTD
 38 HARRIS ROAD, EAST TAMAKI, AUCKLAND, NEW ZEALAND
 Ph 09 274 8265, Fax 09 274 8472, Email : engdept@metalfab.co.nz

PART NUMBER : MIR ASSY

Amendment	Date	By

REVISION LEVEL :

Tolerances Unless Specified
Decimal Places 0 +/- 0.5
0.0 +/- 0.1
0.00 +/- 0.05



Customer : LOGAIRE	Drawing No :	Date : 06/07/05	Drawn By: DL	Checked By :
Part Name : MIR ASSEMBLY	Material :			Finish : Natural