

# Masport®

## FREESTANDING WOOD FIRES

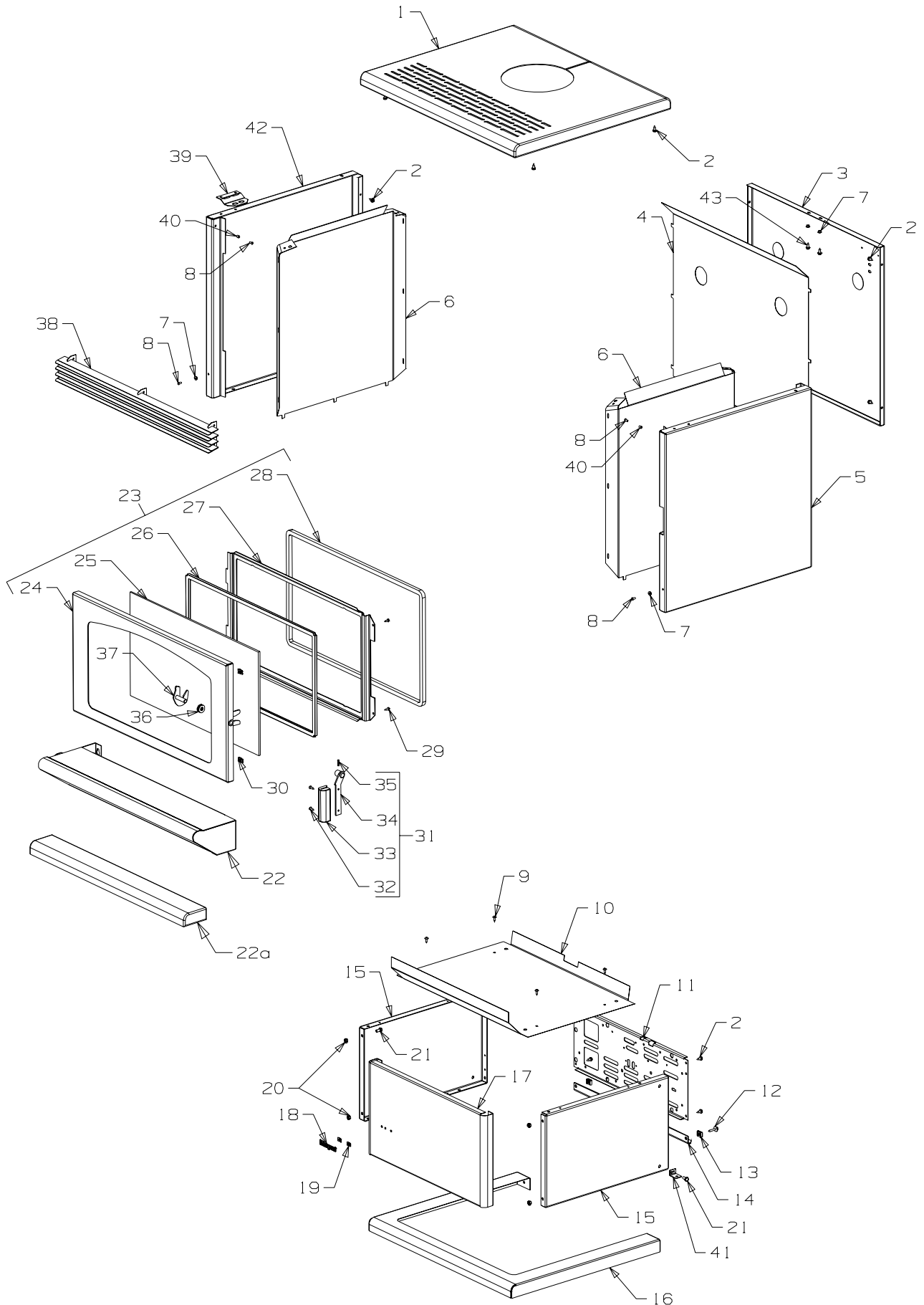
### TORONTO (NZ & AUST)

		NZ	AUST
Part Numbers	Charcoal	_____	993904
	Black	993905	993906

From Serial Number 3016457

Month and Year of Manufacture: September 2000

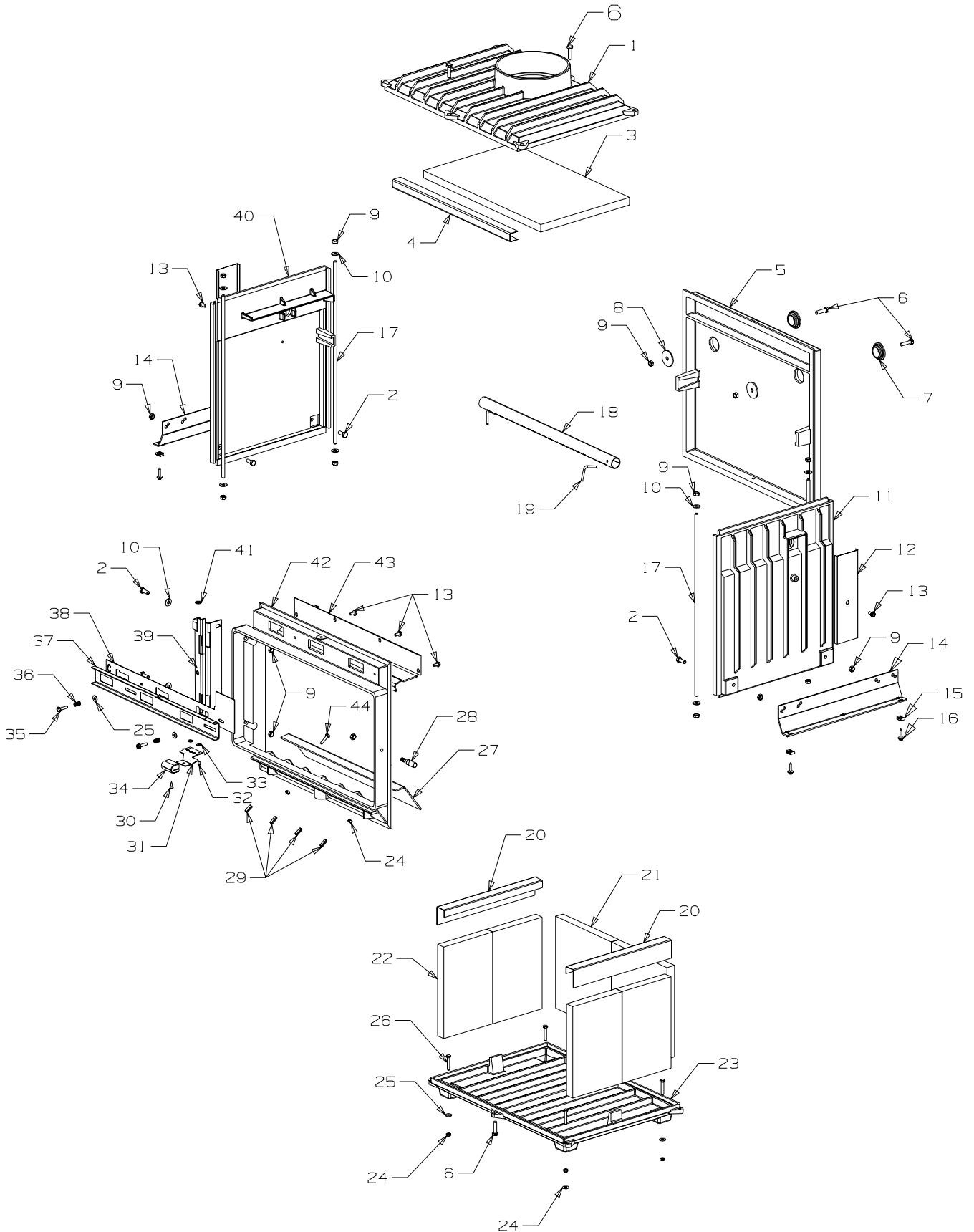






Item No	Part No	Description	Qty	Item No	Part No	Description	Qty
1	<b>793072</b>	Panel-Top - Black	1	22	<b>987067</b>	Shelf-Ash - Charcoal - NZ	1
	• <b>793061</b>	Panel-Top - Charcoal	1		• <b>987252</b>	Shelf-Ash - Black - NZ	1
2	<b>503259</b>	Screw; S/T 10 x .5	14	22a	<b>793065</b>	Panel-Front - Charcoal	
3	<b>987323</b>	Panel-Rear - Black	1		- Aust		1
4	<b>987120</b>	Heatshield-Back	1		• <b>793084</b>	Panel-Front - Black - Aust	1
5	<b>793068</b>	Panel-Side, RH - Black	1	23	<b>793046</b>	<b>Door Assy, Complete</b>	
	• <b>793063</b>	Panel-Side, RH - Charcoal	1		- Charcoal		1
6	<b>987121</b>	Heatshield-Side	2		• <b>793045</b>	<b>Door Assy, Complete</b>	
7	<b>986149</b>	Spacer-Front Panel	4		- Black		1
8	<b>586167</b>	Rivet-Pop 4.0 Dia x 4.8	8	24	<b>793017</b>	• Panel-Door - Charcoal	1
9	<b>503005</b>	Screw; Pan No.10 x 1/2"	4		• <b>793066</b>	• Panel-Door - Black	1
10	<b>994503</b>	Heatshield-Bottom	1	25	<b>793031</b>	• Glass - 5 x 548 x 293	1
11	<b>795588</b>	Pedestal-Back - Charcoal	1	26	<b>793043</b>	• Tape-Door, Flat 3 x 20	1
	• <b>791150</b>	Pedestal-Back - Black	1	27	<b>994516</b>	• Retainer-Glass	1
12	<b>503459</b>	Screw, S/T 12 x 25	6	28	<b>793042</b>	• Rope-Door, Round	1
13	<b>503388</b>	Nut-Spire	6	29	<b>501480</b>	• Screw, S/T 8 x .5	4
14	<b>995612</b>	Bracket-Seismic Restraint	2	30	<b>503001</b>	Nut-Spire	4
15	<b>993011</b>	Pedestal-Sides - Charcoal	1	31	<b>793044</b>	<b>Handle Assy-Door</b>	1
	• <b>993073</b>	Pedestal-Sides - Black	1	32	<b>503004</b>	• Screw; Csk No. 8 x 5/8"	2
16	<b>587264</b>	Foot Assy - Black - NZ	1	33	<b>586161</b>	• Handle-Door	1
		(Includes Trim (987218))		34	<b>986605</b>	• Handle-Assy	1
	• <b>993093</b>	Foot Assy - Charcoal - Aust	1	35	<b>503006</b>	• Pin, Tension 4.0 x 16	1
		(Includes Trim (993094))		36	<b>501704</b>	• Washer, Flat 10 x 21 x 1.6	4
	• <b>993095</b>	Foot Assy - Black - Aust	1	37	<b>993038</b>	• Latch-Door Assy, 10mm	1
		(Includes Trim (993096))		39	<b>986147</b>	Brace-Side Panel	1
17	<b>993060</b>	Pedestal-Front - Charcoal	1	38	<b>986327</b>	Grille-4 Louvre - Black	1
	• <b>993074</b>	Pedestal-Front - Black	1	40	<b>986148</b>	Spacer-Grille	2
18	<b>584581</b>	Badge	1	41	<b>986413</b>	Bracket-Seismic Restraint	2
19	<b>503381</b>	Push Fix Spire	2	42	<b>793067</b>	Panel-Side, LH - Black	1
20	<b>501682</b>	Nut, M6 Hex	22		• <b>793062</b>	Panel-Side, LH - Charcoal	1
21	<b>501959</b>	Screw, Set M6 x 12 Hex	4	43	<b>503704</b>	Screw, S/T 8 x .5	2

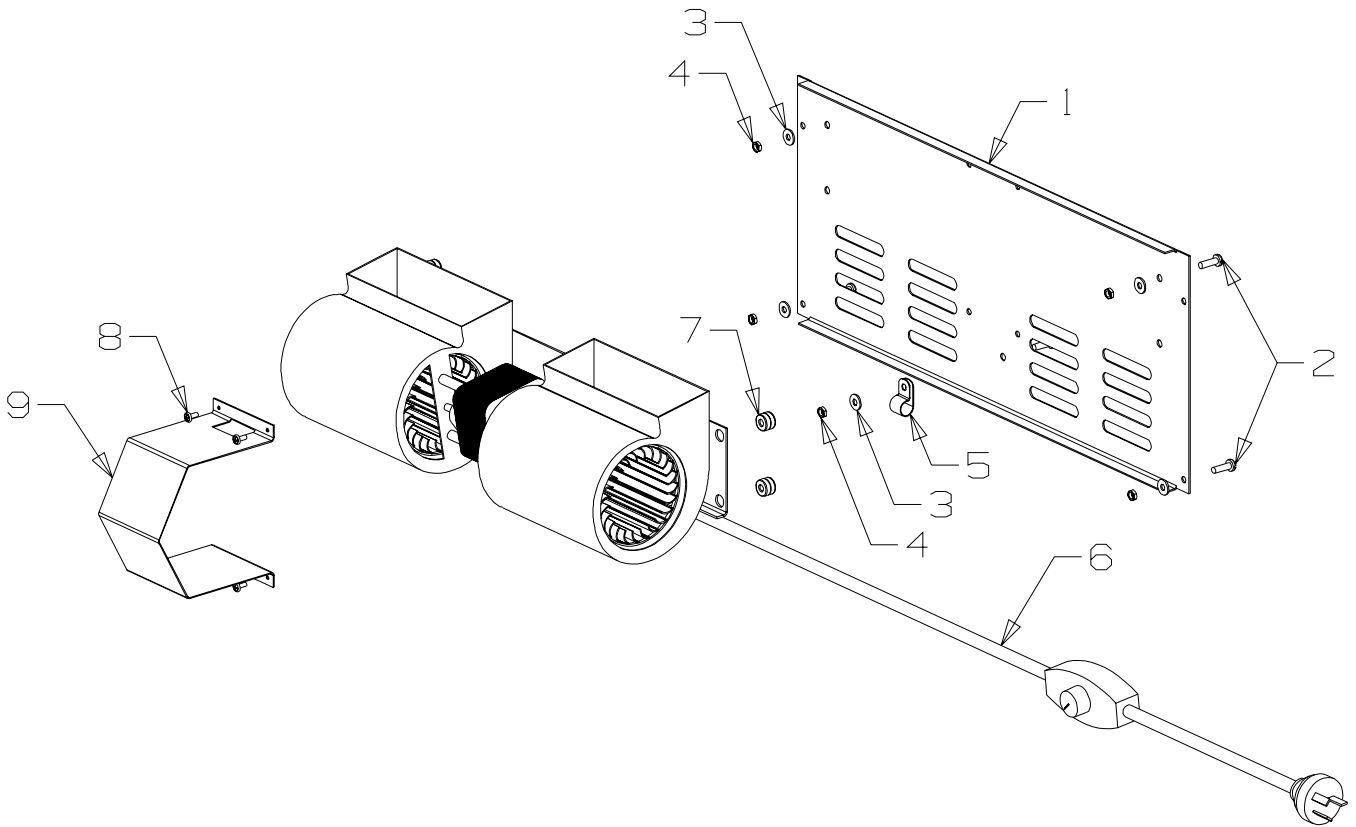
**Bold Text** = Assemblies  
**Bulleted Text** = Items included in Assemblies





Item No	Part No	Description	Qty	Item No	Part No	Description	Qty
1	795544	Firebox-Top	1	21	787112	Brick-Fire, Back (Incl.20 (1))	
2	501597	Screw, Set M8 x 20 Hex	6			- 223mm x 250mm x 25mm	2
3	787109	Board-Firebox Top (1 pack)		22	987375	Brick-Fire, Side (Incl.20 (2))	
		- 20mm x 290mm x 470mm	1			- 160mm x 250mm x 25mm	4
4	993048	•Channel-Baffle Reinforcer	1	23	987304	Firebox-Bottom	1
	987373	Board-Firebox Top (5 pack)		24	501682	Nut, M6 Hex	21
		- 20mm x 290mm x 470mm	1	25	500374	Washer, Flat 1/4"	6
4	993048	•Channel-Baffle Reinforcer	5	26	501815	Screw, Set M6 x 35	8
5	987303	Firebox-Back	1	27	986720	Plate-Base Inner	1
	984090	<b>Plug Assy - 34mm Dia</b>	2	28	594520	Pin-Door Latch	1
6	501685	• Screw, Set M8 x 30 (2)	6	29	503008	Pin, Tension 8.0 x 20	4
7	684089	• Plug - 34mm Dia	2	30	503792	Screw; Csk No. 8 x 1/2"	1
8	502093	• Washer, Flat 8 x 42 x 3.0	2	31	986166	Extension-Slide, Air Inlet	1
9	501602	• Nut, M8 Hex (2)	22	32	586167	Rivet-Pop 4.0 Dia x 4.8	8
10	501606	Washer, Flat 8 x 19 x 1.6	10	33	500848	Washer, Flat 3/16" x .5	4
11	787107	Firebox-Side, RH	1	34	986162	Knob-Air Control	1
12	986146	Cover-Secondary Air	2	35	503336	Screw, S/T M6 x 25	2
13	503003	Screw; S/T 1/4" x .5 Hex	6	36	585223	Spring-Compression,	
14	987123	Bracket-Mounting	2			Air Inlet	2
15	503388	Nut-Spire	6	37	987155	Slide-Air Inlet 20 x 50	1
16	503459	Screw, S/T 12 x 25	6	38	993064	Plate-Meter, Back - NZ	1
17	587108	Rod-Tie, M8	4		987178	Plate-Meter, Back - AUST	1
18	987591	Tube-Secondary Air,			993091	Plate-Meter, Back	
		- 65 x 3.5 S/S	1			- Overnight Burn - NZ	1
19	586439	Pin-Retaining,		39	993007	Hinge Assy	1
		Secondary Air Tube	1	40	787100	Firebox-Side, LH	1
20	987146	Channel-Brick Retainer	3	41	006025	Washer, Flat 5/16"	1
		S/S		42	795558	Firebox-Front	1
				43	787138	Deflector-Primary Air	1
				44	501963	Screw, Set M6 x 25 Hex	2

**Bold Text** = Assembly  
**Indented Bullet Points** = Item included in Assembly

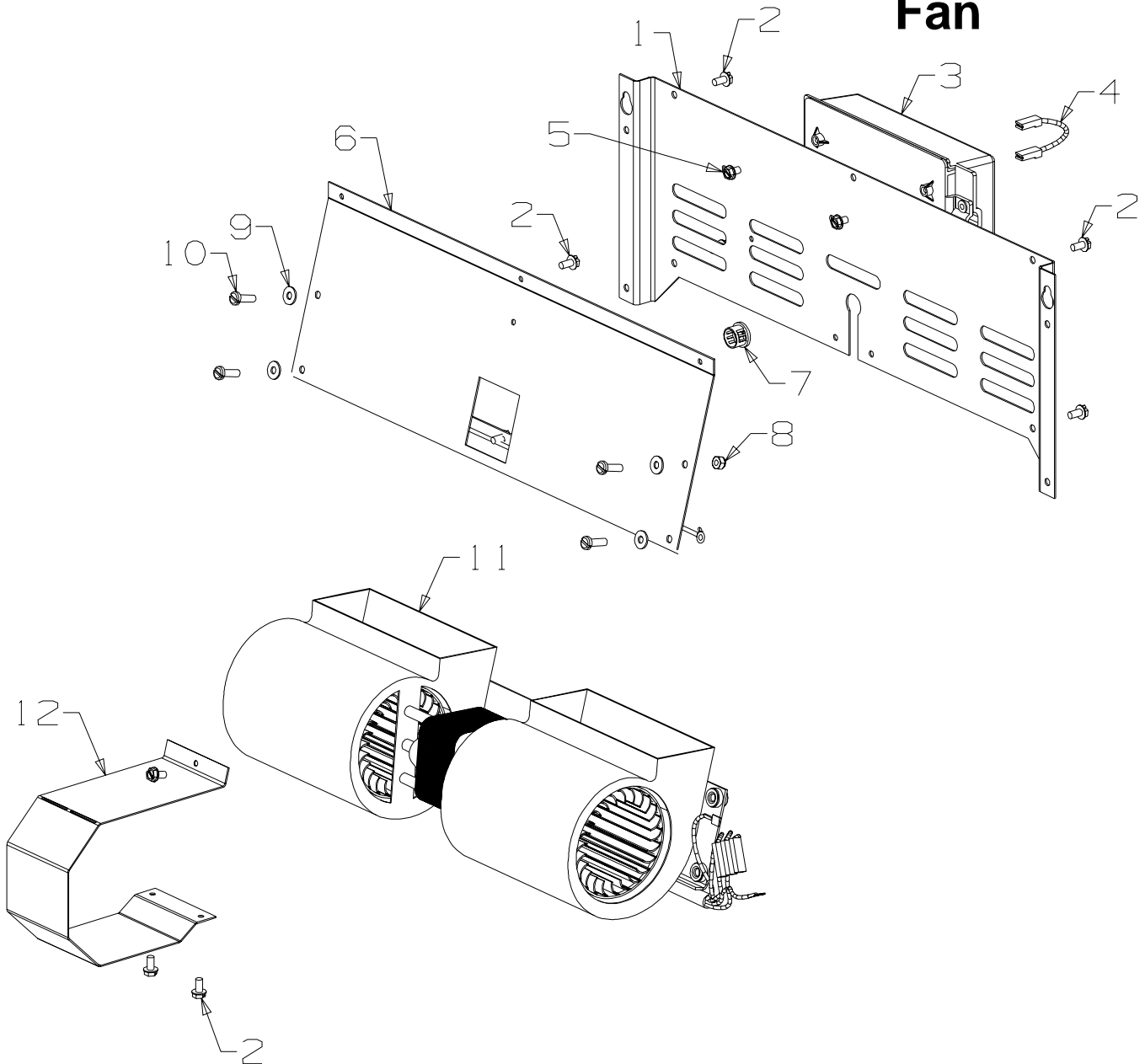


## Part No. 587363

Item No	Part No	Description	Qty	Item No	Part No	Description	Qty
1	987180	Panel-Pedestal Back - Black	1	9	501110	Screw; S/T 6 x .25	4
2	501580	Screw, Pan M5 x 16	5	10	987187	Cover-Fan Motor	1
3	500848	Washer; Flat 3/16" x .5	5	<b>NOT ILLUSTRATED</b>			
4	501856	Nut, M5 Hex	5	503054	Tie-Nylon Cable	1	
5	586551	Clamp-Cable Utilux	1				
7	503671	Grommet 14 OD x 6 ID	4				
8	586575	Fan-3 Speed Double End - Incl. Cord Switch	1				



## Remote Control Fan



**Part No. 998398 Black**

Item No	Part No	Description	Qty	Item No	Part No	Description	Qty
1	995368	Panel-Rear, Fan - Black	1	10	501580	Screw, Pan M5 X 16	4
2	503630	Screw; S/T 10 X .4	11	11	586732	Fan-3 Speed Double End	1
3	595397	Circuit Board-Remote	1	12	995367	Cover-Fan Motor	1
4	591287	Lead-P/C Board	1			<b>NOT ILLUSTRATED</b>	
5	503259	Screw; S/T 10 X .4	2		503054	Tie-Nylon Cable	1
6	995369	Panel-Mounting, Fan	1		588068	Loom-3 Pin, Fan V 75	1
7	586734	Bush-Plastic	1		595396	Remote Control-Handpiece	1
8	503511	Nut, Nyloc M5	4				
9	500848	Washer; Flat 3/16"	4				



## 175mm Flue Kit

(to suit **Toronto**, Grandview)

### Contains:

- 3 x 1200mm lengths Flue (175mm Dia.)
- 1 x 1200mm length Outer / Inner Heat Shield Combination (275mm Dia.)
- 1 x 600mm Outer Shield Extension
- 1 x Anti Down Draught Cowl
- 1 x Casing Cover
- 1 x Top Flue Spacer Bracket
- 1 x Ceiling Plate
- 1 x Packet screws & Ceramic Spacers

Note: Flue Reflector is required for standard installations

**NZ ONLY**

**Part No: 556100**





<b>Item No</b>	<b>Part No</b>	<b>Description</b>	<b>Qty</b>
		<b>NOT ILLUSTRATED</b>	
	<b>585416</b>	Bag-Fire Bedding Sand (Firebox)	<b>2</b>
	<b>584048</b>	Tube-Maniseal (Firebox)	<b>1</b>
	<b>503054</b>	Tie-Nylon Cable	<b>1</b>
	<b>595381</b>	Owners Manual	<b>1</b>
		<b>ASSEMBLYS</b>	
	<b>993092</b>	Firebox Assembly	<b>1</b>
		<b>ACCESSORIES</b>	
	<b>586044</b>	Hot Water Booster - LE (also need 986788)	<b>1</b>
	<b>556266</b>	Paint, Touch Up - Charcoal	<b>1</b>
	<b>556123</b>	Paint, Touch Up - Black	<b>1</b>