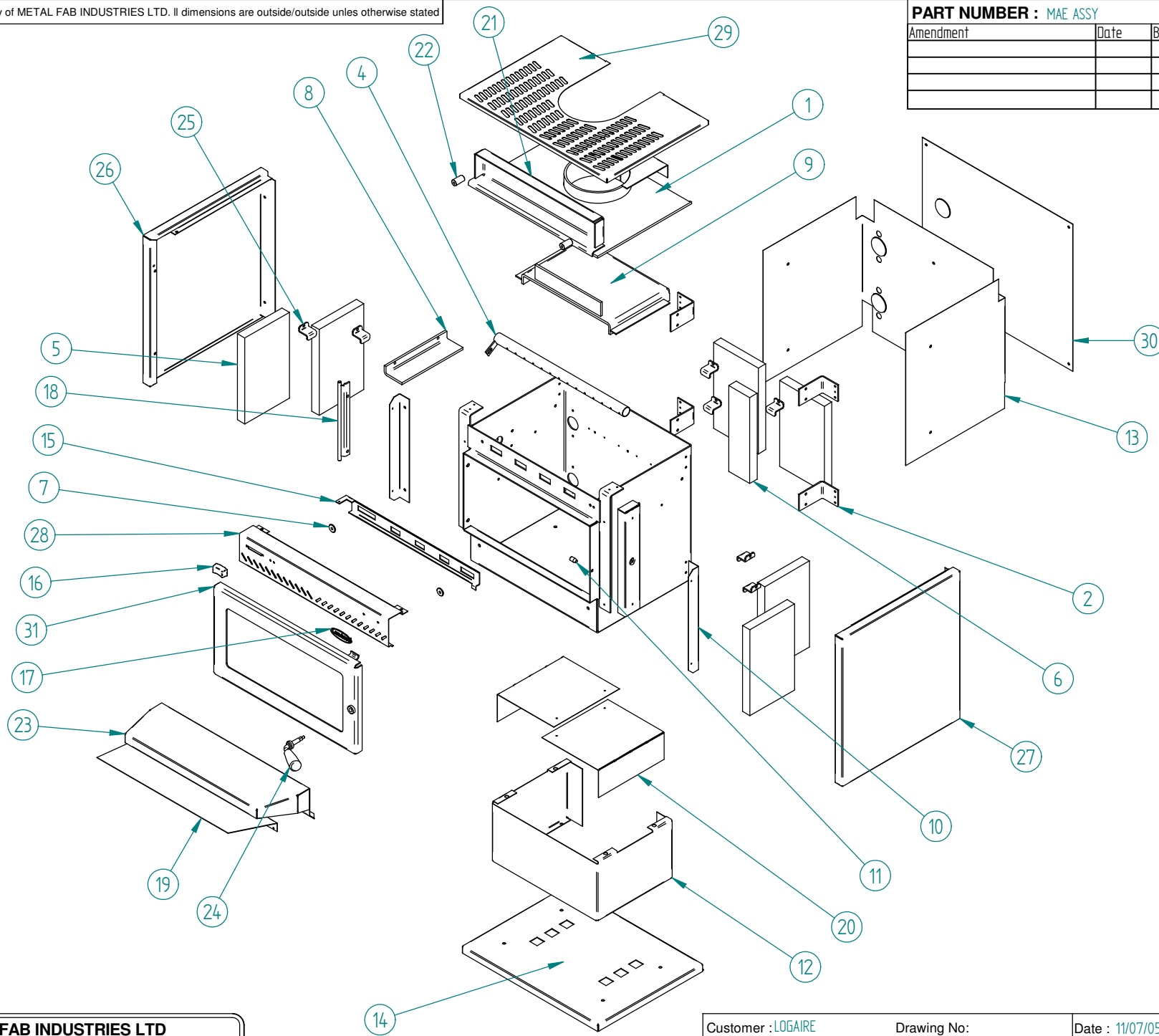


PART NUMBER : MAE ASSY

REVISION LEVEL :

Amendment	Date	By

Tolerances Unless Specified		
Decimal Places	0	+/- 0.5
	0.0	+/- 0.1
	0.00	+/- 0.05



Weight = 0.000 kg

**METAL FAB INDUSTRIES LTD**  
 38 HARRIS ROAD, EAST TAMAKI, AUCKLAND, NEW ZEALAND  
 Ph 09 274 8265, Fax 09 274 8472, Email : engdept@metalfab.co.nz

Customer : LOGAIRE	Drawing No:	Date : 11/07/05	Drawn By: DL	Checked By :
Part Name : MAE ASSEMBLY	Material :	Finish : Natural		

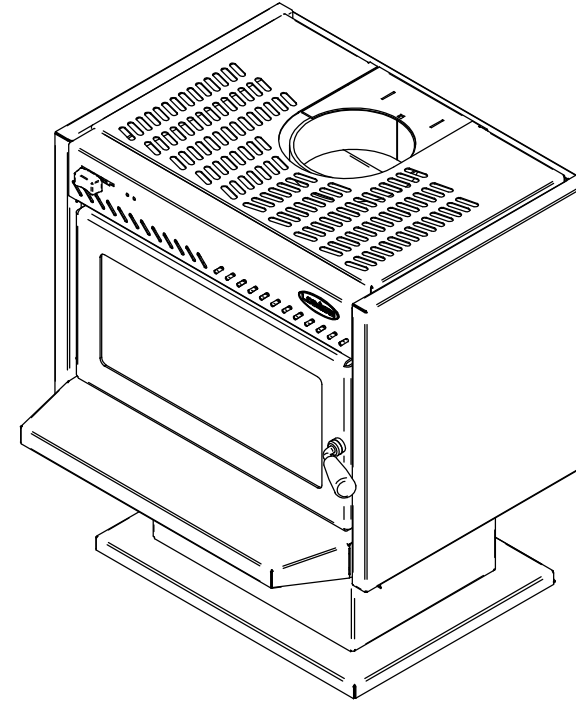
PART NUMBER : MAE ASSY

REVISION LEVEL :

Amendment	Date	By

Tolerances Unless Specified  
 Decimal Places 0 +/- 0.5  
 0.0 +/- 0.1  
 0.00 +/- 0.05

Item Number	Document Number	Title	Material	Quantity
1*	MICAC004	MICROS FIRE BOX ASSY		1
2	MIC00130	MIC REAR BODY MOUNT BRKT	Cold Roll 3.0mm	4
3*	MIC00135	MIC WET BACK COVER PLATE	Cold Roll 3.0mm	1
4	MICAC138	MIC AIR BAR ASSEMBLY		1
5	MIC00354	MIC BRICK	MASONRY	6
6	MIC00355	MIC BRICK HALF	MASONRY	1
7	MIC00083	LOGAIRE METRO AIR SLIDE SPACER	7/8" BMS FREE MACHINING	2
8	MIC00116	MIC BAFFLE SUPPORTS	HOT ROLL 6.0MM	2
9*	MICAC109	MIC BAFFLE SUB ASSEMBLY		1
10	MIC00009	MIC SIDE PANEL ANGLE	COLD ROLL 1.2MM	2
11	MIC00079	LOGAIRE CATCH PIN	FCMS 10mm DIA	1
12	MIC00020	MIC PEDESTAL	ZINTEC 1.2MM	1
13	MIC00038	MIC HEAT SHIELD WRAP	ZINTEC 0.8MM	1
14*	MIC00025	MIC BASE HEAT SHIELD	ZINTEC 1.6MM	1
15	MIC00036	MIC AIRSLIDE	Cold Roll 2.0	1
16	MIC00375	MIC AIR SLIDE HANDLE	PLASTIC	1
17	MIC00740	LOGAIRE BADGE	CAST	1
18*	MICAC190	MICROS DOOR HINGE ASSYMBLY		1
19	MIC00201	MIC ASH SHELF DEFLECTOR	0.8mm ZINTEC	1
20	MIC00203	MIC PEDESTAL HEAT SHIELD	ZINTEC 0.8MM	2
21*	MIC00102	MIC AIR DEFLECTOR	COLD ROLL 3.0MM	1
22	MIC00129	MIC AIR DEFLECTOR BUSH	16MM BMS	2
23	MAE00011	MAE ASH HEARTH ASH SHELF	Enamel	1
24	MICAC373	MIC DOOR SPINDLE ASSEMBLY		1
25	HBA00118	HBA BRICK RETAINER	Hot Roll 3.0mm	7
26	MAE00006	MAE L/H SIDE PANEL	ENAMEL 1.2MM	1
27	MAE00007	MAE R/H SIDE PANEL	ENAMEL 1.2MM	1



Item Number	Document Number	Title	Material	Quantity
28	MAE00016	MAE AIR SLIDE COVER	ENAMEL 1.2MM	1
29*	MAE00003	MAE TOP GRILL	Enamel 1.2mm	1
30	MIC00012	MIC REAR HEAT SHIELD	ZINTEC 0.8MM	1
31	MICAC730	MIC FINISHED DOOR ASSEMBLY		1

Weight = 0.000 kg

**METAL FAB INDUSTRIES LTD**  
 38 HARRIS ROAD, EAST TAMAKI, AUCKLAND, NEW ZEALAND  
 Ph 09 274 8265, Fax 09 274 8472, Email : engdept@metalfab.co.nz

Customer : LOGAIRE	Drawing No:	Date : 11/07/05	Drawn By: DL	Checked By :
Part Name : MAE ASSEMBLY		Material :	Finish : Natural	