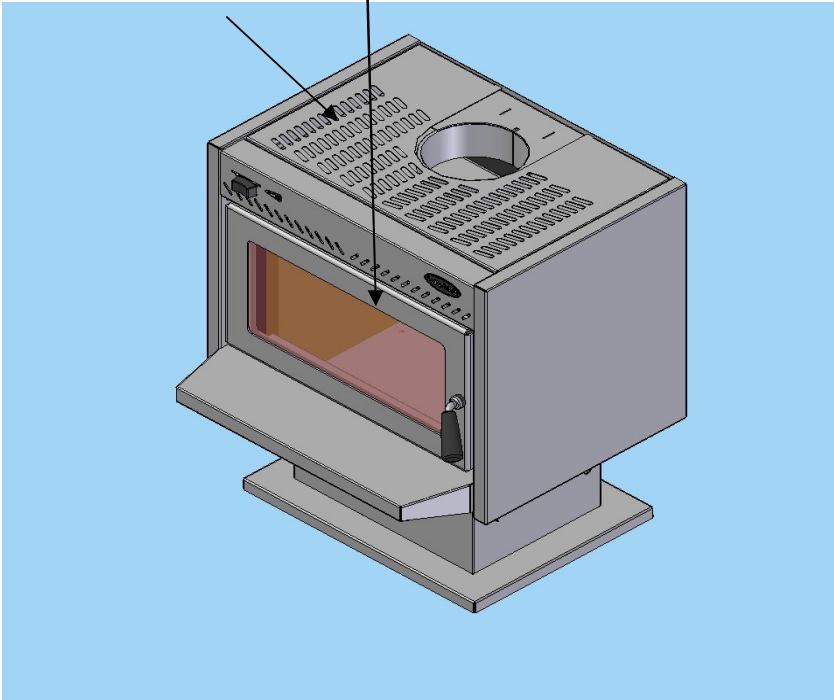


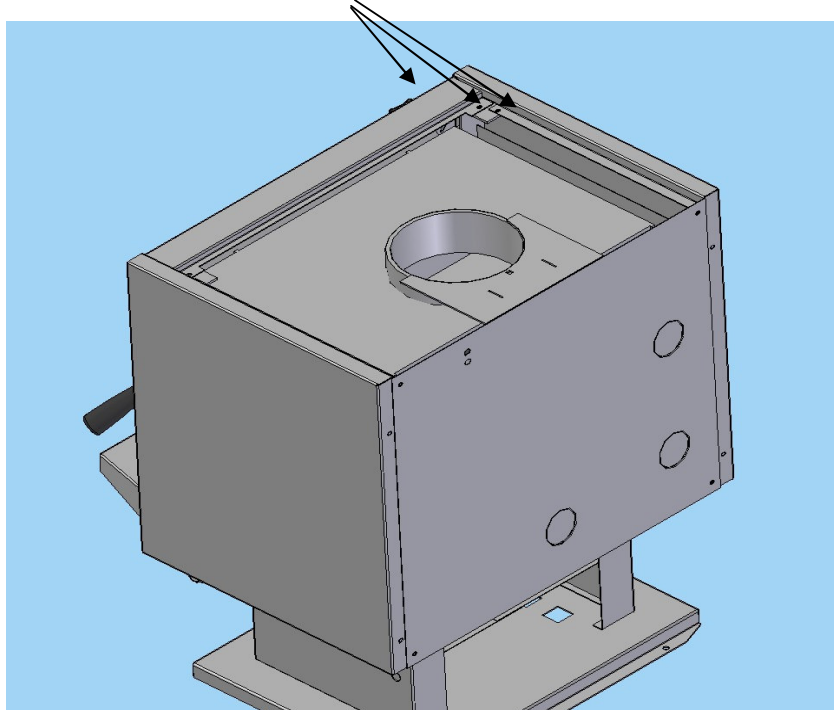
How to Fix a Sticking Micros Air Slide

You will need a small flat file to clean the face where the slide runs.
At each end of the of this face there will be a slight hump where the weld is.
Make sure this is not too big if so give this a good filing to smooth down.

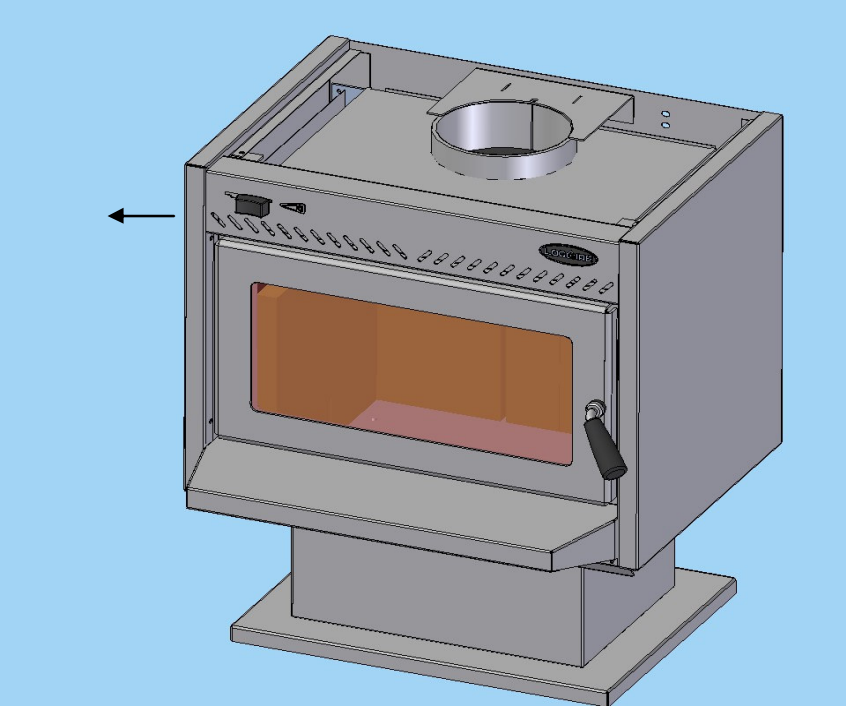
1. Remove Top Grill and the door



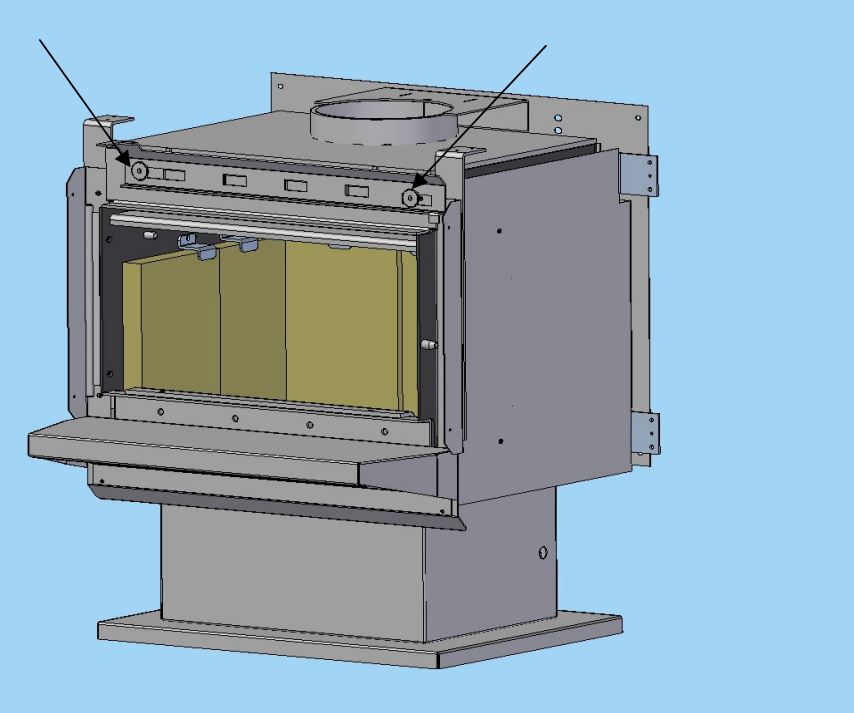
2. Remove 3 x Screw, one side only



3. Pull the top of the side panel outward enough to remove airslide cover



4. Remove air slide knob and airslide bolts



5. Reassemble as below

Nut, Slide washer, small washer, airslide, bolt

