



**2900/2950**

---

TECHNICAL  
INFORMATION

SPARES  
LISTS

FAULT  
FINDER

SERVICING  
INSTRUCTIONS

SECTION  
CONTENTS



The Auvergne incorporates the "Magicoal" flame effect which can be used without heating, so that the comforting effect may be enjoyed at any time of the year. The flame effect is provided by low wattage motors and two 40 watt lamps. Using the flame effect on its own, therefore, requires little electricity.

The controls are concealed behind the 'ash pan' flap beneath the firebox. A choice of 1kW or 2kW thermostatically controlled heat output is provided by the fan heater, which is concealed beneath the unit.

This model is designed to be free standing and is normally positioned against a wall.

## POWER RATINGS

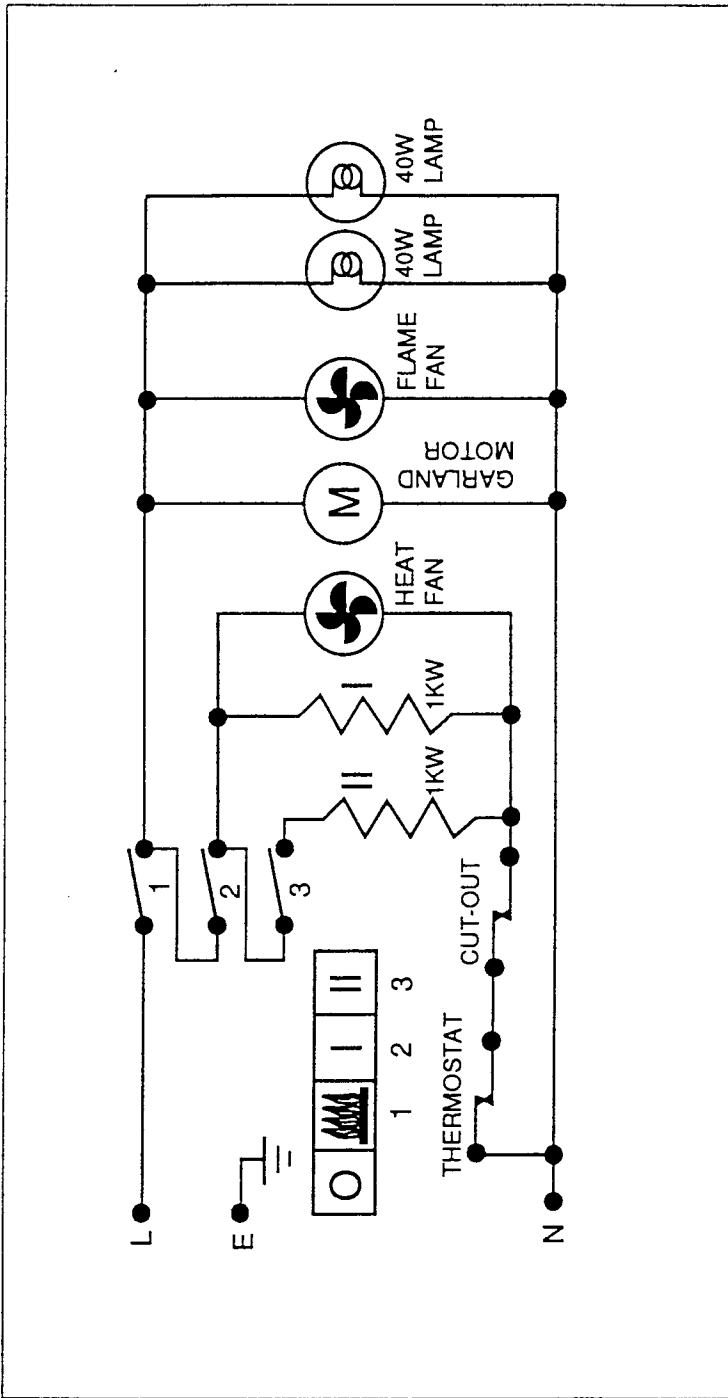
ELECTRICAL SUPPLY	230- 240 Volts 50 cycles AC
TOTAL LOADING	2096 Watts
ELEMENTS	2000 Watts
LAMPS	2 x 40 Watts SES Clear Candle Lamps
MOTORS	2 x 6.5 Watts, 1 x 3 Watts
BEAB APPROVAL	

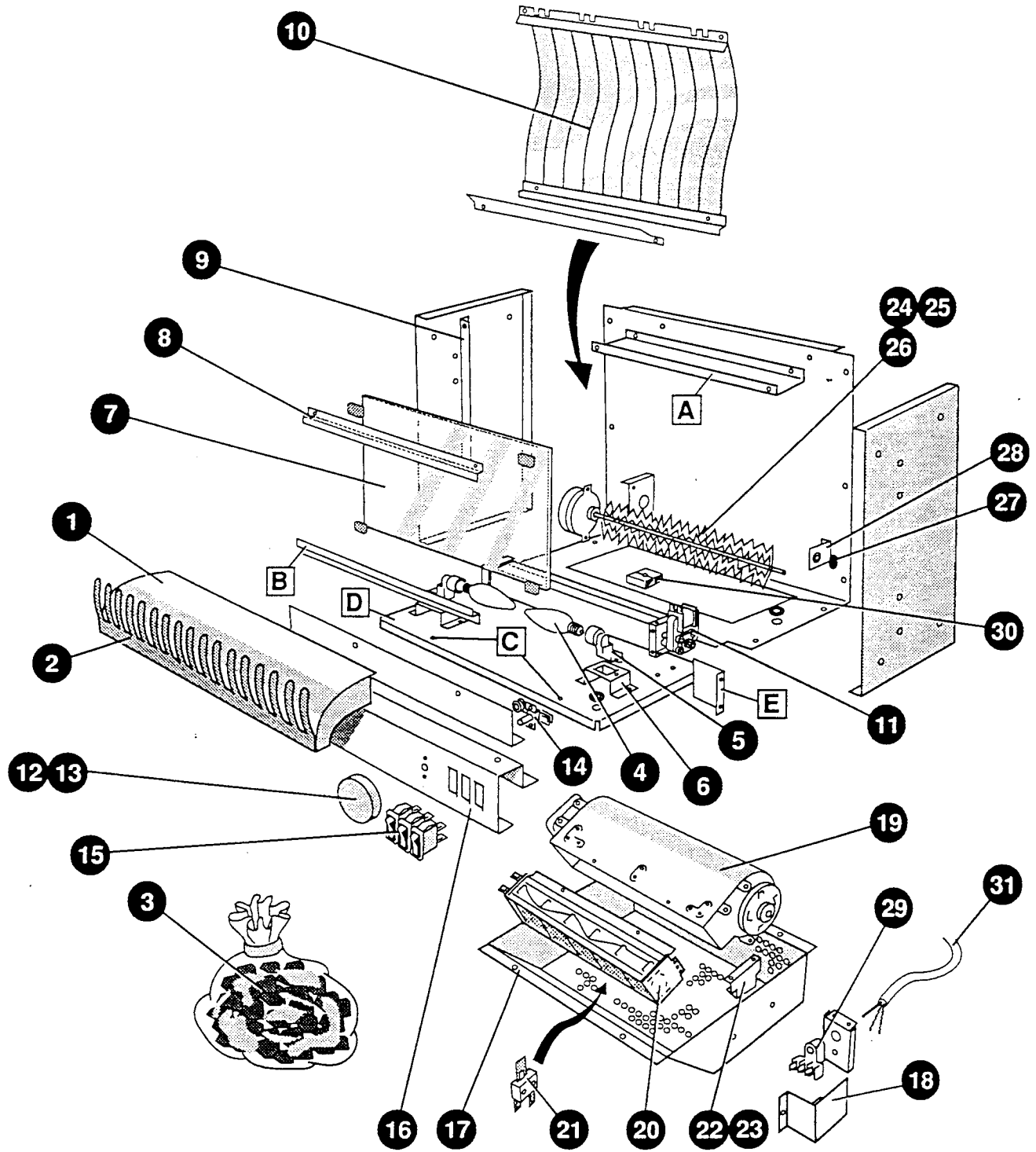
## DIMENSIONS

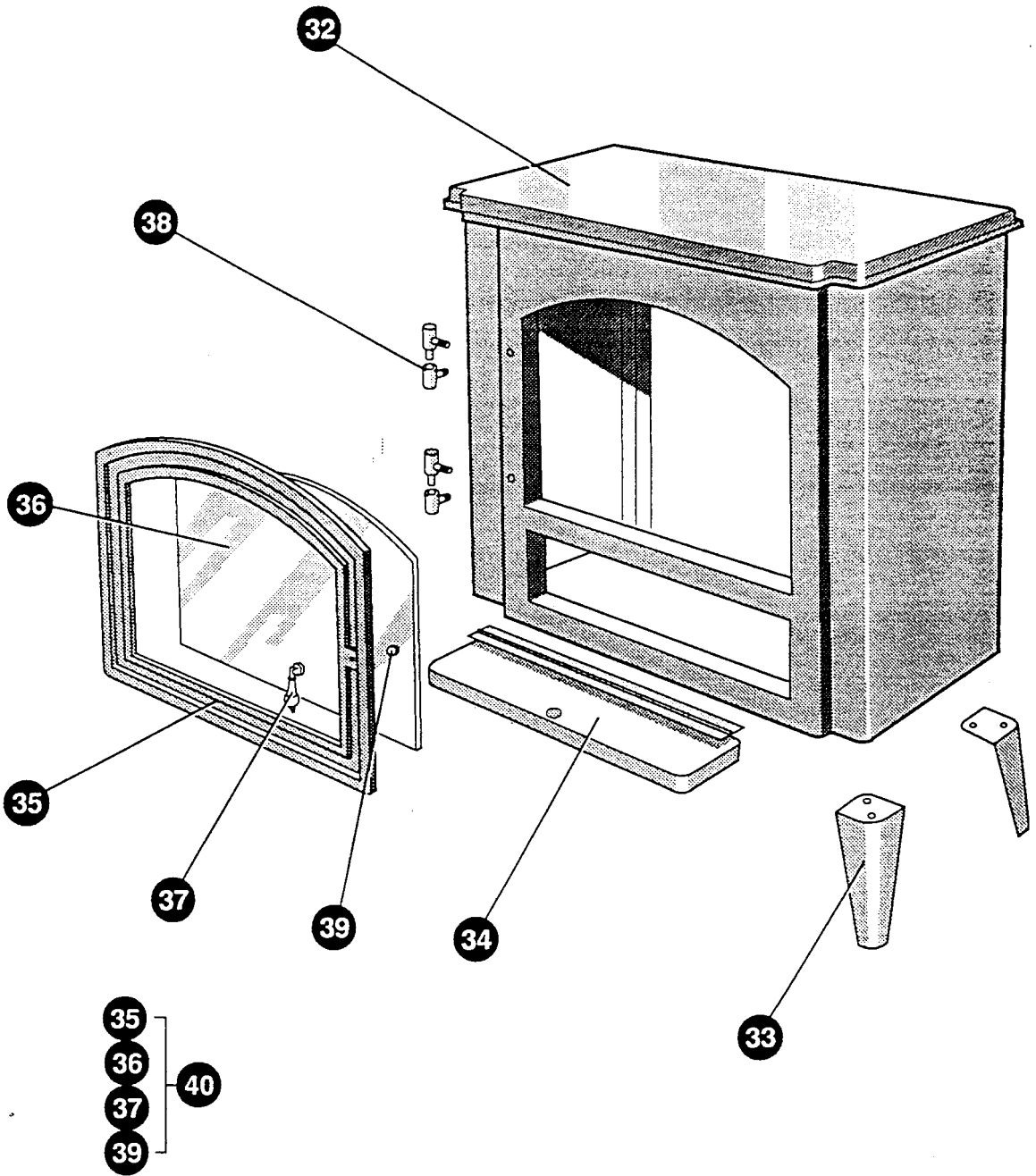
MODEL	WIDTH	HEIGHT	DEPTH
2900	545	605	280
2950	545	605	280



WIRING  
DIAGRAM









# 2900/2950

ITEM	CAT NO.	WATTS	VOLTS	DESCRIPTION	COLOUR	MODEL
1, 2	FP9811			Fuel Effect Bed Assembly		
3	FP9650			Coal Pack		
4	FP9610	40		Lamp - Clear screw in		
5	FP9609			Lamp Holder		
6	FP9631			Lamp Holder Bracket		
7	FP9763			Reflective Glass		
8	FP9764			Glass Fixing Bracket Top		
9	FP9664			Glass Side Support		
10	FP9966			Flag & Bracket Assembly		
11	FP9730			Effect Fan Blower assembly		
12	FP9638			Control Knob and clip		
14	FP9772			Thermostat TSB 141141		
15	BF7211			Single Pole Switch		
16	FP9944			Control Panel		
17	FP9755			Heater box Assembly		
18	FP9761			Terminal Plate Cover		
19	FP9557			Heater Fan Blower Assembly		
20	FP9410	2000		Fan Heater Element		
21	FB9402			Cut-out otter V10		
22	FP9758			Blower angle Brkt. R/hand		
23	FP9757			Blower angle Brkt. L/Hand		
24	FP9959			Garland and Rod assembly		
	FP9939			Flexible Motor Coupling		
25	FP9921			Motor Gearbox assembly and bracket		
27	FP9554			Plastic Grommet Bearing		
28	FP9660			Axial bracket		
29	BF7469			Mains Tri-Clamp Block		
30	FP9784			2-way terminal block		
31	BF9439			Plug & Lead Assembly		
32	FP9951			Wood Surround	Black	
	FP9986			Wood Surround	Green	

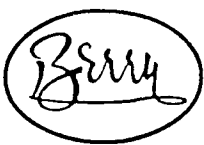
SPARES  
LIST



**2900/2950**

<b>ITEM</b>	<b>CAT NO.</b>	<b>WATTS</b>	<b>VOLTS</b>	<b>DESCRIPTION</b>	<b>COLOUR</b>	<b>MODEL</b>
33	FP9945			Foot	Black	
	FP9988			Foot	Green	
33	FP9946			Control Panel Cover	Black	
	FP9990			Control Panel Cover	Green	
37	FP9948			Knob (door)		
38	FP9950			Hinge (door)		
40	FP9949			Door Assembly	Black	
	FP9996			Door Assembly	Green	

**SPARES  
LIST**



## HEATER NOT SWITCHING ON

- Mains supply failure.
  - Fuse blown in plug.
  - Switch failure.
- 

## FLAME EFFECT NOT LIT OR PARTIALLY LIT

- Lamp loose in holder.
  - Lamp failure.
  - Lamp holder failure.
- 

## FLAMES POOR OR NOT MOVING

- Lamp failure.
  - Front glass needs cleaning.
  - Flag assembly damaged or misplaced.
  - Garland motor failure.
  - Effect fan blower motor failure.
- 

## FAN HEATER NOT WORKING

- Thermostat setting too low.
  - Thermostat failure.
  - Cut-out operating.
  - Blower motor failure.
  - Cut-out failure.
  - Switch failure.
- 

## FAN HEATER BLOWS COLD OR ONE HEAT SETTING NOT WORKING

- Element failure.
- Switch failure.



ENSURE APPLIANCE IS DISCONNECTED FROM THE ELECTRICITY SUPPLY BEFORE DISMANTLING.

NOTE ALL CONNECTION DETAILS AND ROUTING OF LEADS BEFORE DISMANTLING.

ALWAYS REPLACE CABLE TIES ON RE-ASSEMBLY.

Numbers appearing in the text refer to illustrations and spares list numbers.

- 1.1 To gain access to the lamps, open the firebox door, then carefully remove all the coal from the fuel effect and place it in a suitable container.  
Remove the two screws ❶ securing the fuel effect bed/grate assembly (see Fig. 1).  
Lift the fuel effect up slightly to clear the ledge at the base of the glass viewing screen, tilt one end up first ❷ and then lift the fuel effect out of the firebox ❸.
- 1.2 Carefully rotate the lamp anti-clockwise ↺ until it comes out of its holder (see Fig. 2).  
Replace the defective lamp with a 240V, 40 watt E14 SES clear candle lamp, rotating the lamp clockwise ↻ in the holder until it is fully home. Do not overtighten.
- 1.3 Refit the fuel effect, ensuring that the rear edge locates on the ledge at the base of the glass viewing screen (see Fig. 1), then refit the coal.

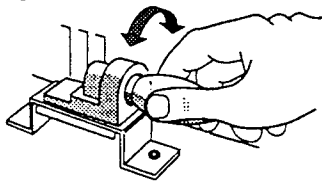


Fig. 2

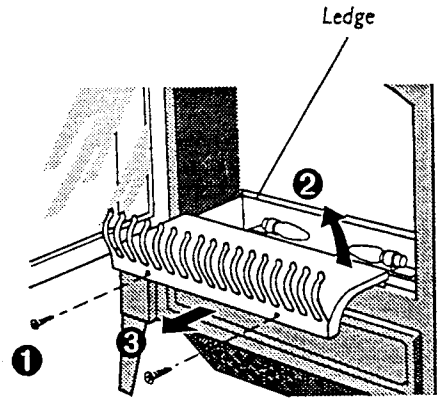


Fig. 1

## REMOVE/REPLACE LAMPS

- 2.1 Remove the six screws (three down each side) securing rear panel to surround 32 – see Fig. 3. Note! On newer versions, open the fire door to remove an additional screw at each side.
- 2.2 Slide the complete chassis assembly out from the rear of the surround. To avoid damage to the fan heater, place the chassis assembly on supporting blocks (imperative if the heater unit is to be operated during servicing).

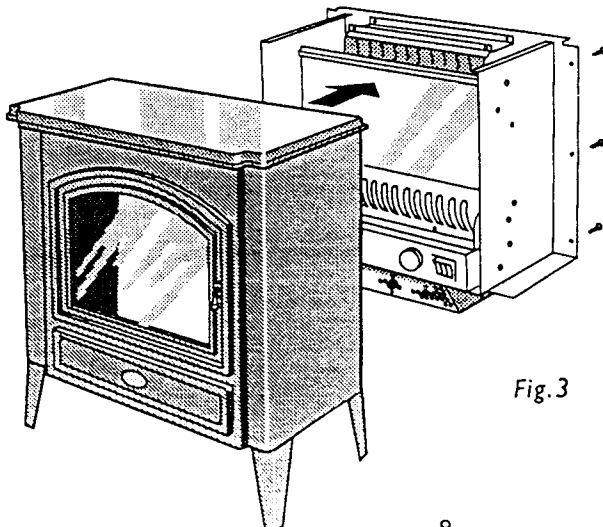
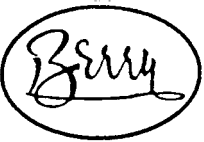


Fig. 3

## REMOVE CHASSIS FROM SURROUND

*Note: The chassis assembly can be removed from the surround with care with the coal in situ. However, for general servicing, it is advisable to remove the coal prior to dismantling.*

## SERVICING INSTRUCTIONS



REMOVE/REPLACE  
MAINS CABLE

- 3.1 Remove the chassis assembly from the surround as detailed in 2.1 above.
- 3.2 Remove terminal plate cover 18 secured by two screws. Disconnect the live and neutral leads from tri-clamp block 30 and the earth lead from the earth stud.
- 3.2 Remove the cable clamp screw from the outside of the terminal plate and loosen the clamp block before withdrawing cable 31 from the clamp.

REMOVE/REPLACE  
FAN HEATER  
AND CONTROLS

- 4.1 Remove the coal and the chassis assembly from the surround as detailed in 2.1 above and invert the unit.
- 4.2 Remove the single screw securing terminal plate cover 18 to the side of box assembly 17; and the four screws securing fan heater assembly box 17 to the chassis base. The fan heater unit can now be lifted away from the chassis to the extent of its connecting leads.
- 4.3 Note connection details, then disconnect the two red leads from the switches (also the red jumper lead from heat switch I to II which is crimped onto one of the red leads) and one blue lead from the thermostat. Lift the fan heater unit away.
- 4.4 Blower motor 19 is secured by four screws to blower angle brackets 22, 23. Element 20 is attached to the blower motor by four screws. Overheat cut-out 21 is secured to the element by a single screw.

REMOVE/REPLACE  
CONTROLS

- 5.1 Remove the coal and chassis assembly from the surround as detailed in 2.1 above.
- 5.2 Remove the coal and fuel effect bed/grate assembly 1,2 (two screws).
- 5.3 Control panel 16 is secured by two screws into the underside of the chassis along the bottom edge and by two screws into the shelf at points C. Remove the screws and ease the control panel away to the extent of its leads.
- 5.4 Switches 15 are a snap fit – compress clips and push out firmly. Note connection details before disconnecting.
- 5.5 Thermostat knob 12 is a push-fit. Thermostat 14 is secured to the control panel by two screws.

REMOVE/REPLACE  
FLAME EFFECT

- 6.1 Remove the coal and chassis assembly from the surround as detailed in 2.1.
- 6.2 Remove the coal and fuel effect bed/grate assembly 1,2.
- 6.3 Whilst supporting reflective glass 7, remove the two screws securing fixing bracket 8. Remove the bracket then lift the glass out and store it carefully.
- 6.4 Flag and bracket assembly 10 is secured by two screws to flag spacer bracket A, and at the bottom to glass support bracket B.

For access to garland motor/gear assembly 24, 25, 26, 27:

- 6.5 Remove reflective glass 7 and flag assembly 10 as above. The garland motor/gear assembly mounting bracket is secured by two screws through the rear panel. Wiring is by push-on connectors via terminal block 31.

SERVICING  
INSTRUCTIONS



## REMOVE/REPLACE FLAME EFFECT CONT'D

In early units the garland assembly is coupled to the motor gearbox unit by an M3 x 5.5mm 'pop' rivet. Drill out rivet to remove. When replacing, use either another pop rivet or an M3 nut, bolt and lock washer, tightened securely. Note! In newer units, a flexible coupling connects the garland assembly to the motor gearbox unit. The flexible coupling can also be fitted to older units.

For access to flame blower assembly:

- 6.6 Lay the chassis assembly on its back.
- 6.7 Remove the fan heater assembly, as detailed in 4.2. above.
- 6.8 Release the four screws securing flame blower motor 11 from underneath the shelf, accessible via the fan heater cut-out in the chassis base. Connections are by push-on terminals. Cut cable ties where necessary and note connections and routing before disconnecting.

To remove/replace lamp holders:

- 6.9 Lamp holder brackets 6 are secured by two screws from underneath the shelf. The outer-most fixing screws should be accessible via the fan heater cut-out in the chassis base. If not, remove the screws securing shelf D, safety plate E and glass support bracket B, then slide the shelf forward for access to bracket screws.
- 6.10 Lamp holders 5 are a snap fit in brackets 6 and secured by a single screw. Leads are connected by push-in single-use spring clips. Use a small screwdriver or similar to compress clip and remove lead. DO NOT DISCONNECT LEADS UNLESS REPLACING A DEFECTIVE LAMP HOLDER.
- 6.11 When re-assembling, ensure that the reflective glass is fitted the correct way round - with the reflective side facing outwards.

AFTER SERVICING, IT IS RECOMMENDED THAT THE PRODUCT IS TESTED FOR INSULATION AND EARTH CONTINUITY, IN ACCORDANCE WITH RELEVANT LOCAL SAFETY REGULATIONS.



**2920**

---

**TECHNICAL  
INFORMATION**

**SPARES  
LISTS**

**FAULT  
FINDER**

**SERVICING  
INSTRUCTIONS**



The Auvergne incorporates the "Magilog" flame effect which can be used without heating, so that the comforting effect may be enjoyed at any time of the year. The flame effect is provided by low wattage motors and two 40 watt lamps. Using the flame effect on its own, therefore, requires little electricity.

The controls are concealed behind the 'ash pan' flap beneath the firebox. A choice of 1kW or 2kW thermostatically controlled heat output is provided by the fan heater, which is concealed beneath the unit.

This model is designed to be free standing and is normally positioned against a wall.

POWER RATINGS

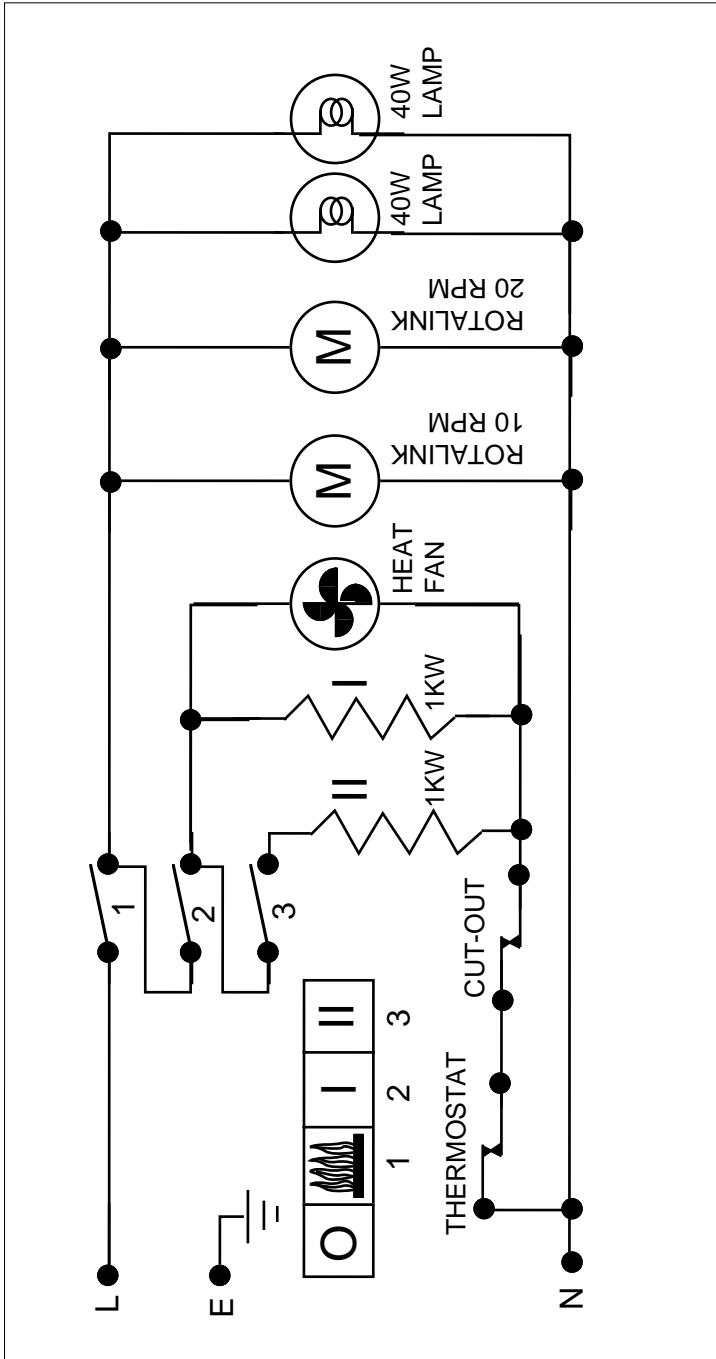
ELECTRICAL SUPPLY	230- 240 Volts 50 cycles AC
TOTALLOADING	2092 Watts
ELEMENTS	2000 Watts
LAMPS	2x 40 Watts SES Clear Candle Lamps
MOTORS	1x6.5 Watts,2x3 Watts
BEAB APPROVAL	

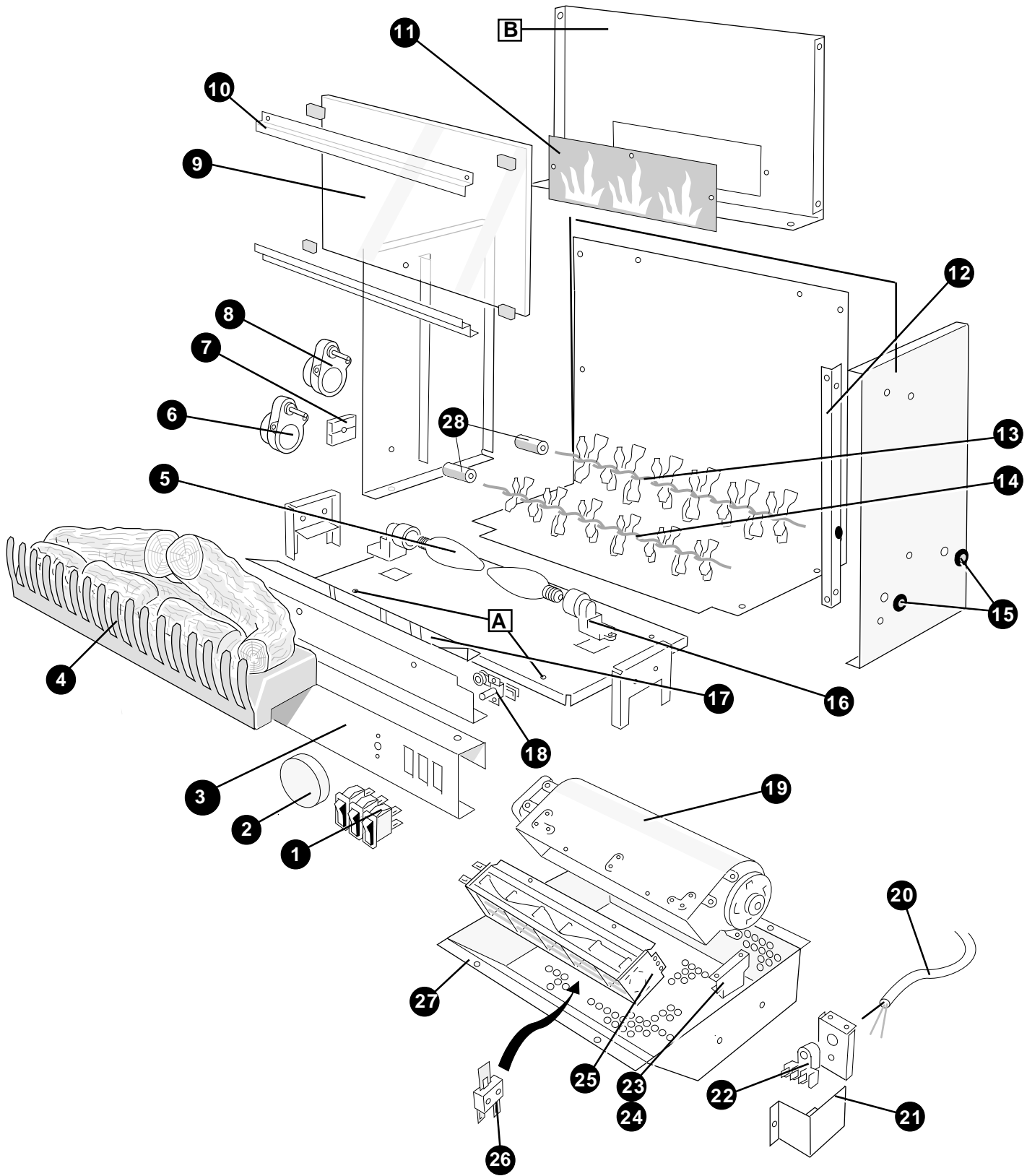
DIMENSIONS

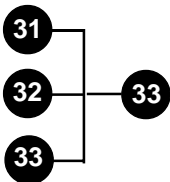
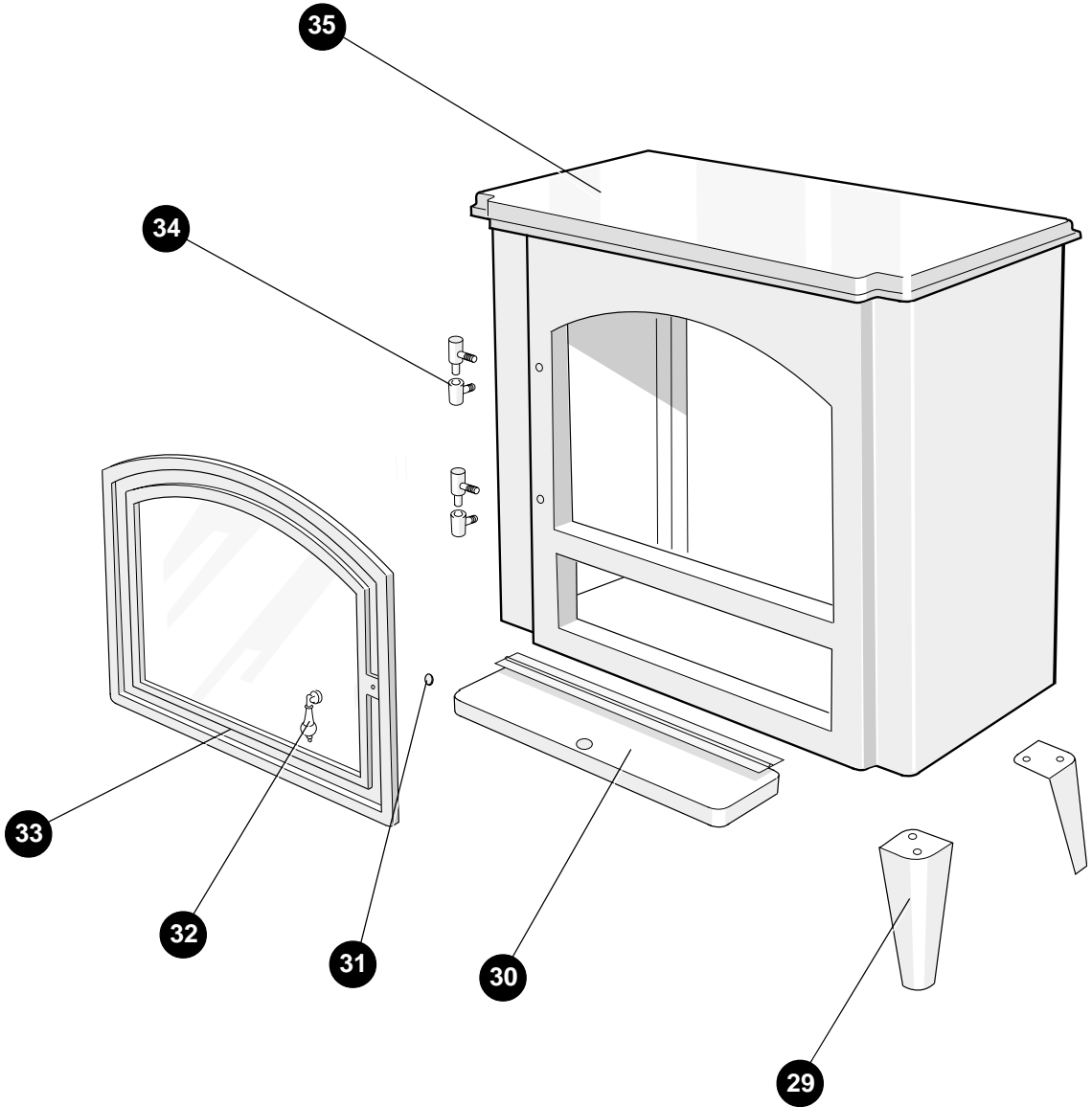
MODEL	WIDTH	HEIGHT	DEPTH
2920	545	605	280



WIRING  
DIAGRAM











BF7211	Single Pole Switch	<b>1</b>
FP9638	Control Knob (Thermostat)	<b>2</b>
FP9944	Control Panel	<b>3</b>
FP9927	Fuel Effect Logs & Grate Assembly	<b>4</b>
FP9610	Lamp 40W Clear SES (Screw In)	<b>5</b>
FP9929	Geared Motor Assy. 10 RPM*	<b>6</b>
FP9784 FP9941	Terminal Block (2 Way) SERIES A Terminal Block (4 Way) SERIES B	<b>7</b>
FP9930	Geared Motor Assy. 20 RPM*	<b>8</b>
FP9763	Mirrored Glass Screen	<b>9</b>
FP9764	Glass Fixing Bracket Top	<b>10</b>
FP9931	Flame Panel	<b>11</b>
FP9664	Glass Side Support (2)	<b>12</b>
FP9934	Rotisserie, Flame (Large)	<b>13</b>
FP9935	Rotisserie, Log (Small)	<b>14</b>
FP9787	Grommet Bearing (2)	<b>15</b>
FP9609	Lamp Holder, SES (2)	<b>16</b>
FP9938	Reflector	<b>17</b>
FP9772	Thermostat TSB 141141	<b>18</b>
FP9557	Heater Blower Unit	<b>19</b>
FP9120	Plug & Lead Assembly	<b>20</b>
FP9760	Terminal Plate Cover	<b>21</b>
BF7469	Mains Tri-Clamp Block	<b>22</b>
FP9758	Fan Blower Angle Bracket R/H	<b>23</b>



FP9757	Fan Blower Angle Bracket L/H	24
FP9410	2kW Fan Heater Element Assy.	25
FB9402	Cut-Out Otter V10	26
FP9755	Heater Box Assembly	27
FP9339	Flexible Motor Coupling (2)	28
FP9945	Foot (4)	29
FP9946	Control Panel Cover	30
FP9947	Door Magnet	31
FP9948	Knob (Door)	32
FP9949	Door Assembly Complete	33
FP9950	Hinge (Door)	34
FP9951	Wood Surround	35



- Mains supply failure.
- Fuse blown in plug.
- Switch failure.

HEATER NOT SWITCHING ON

- Lamp loose in holder.
- Lamp failure.
- Lamp holder failure.

FLAME EFFECT NOT LIT OR PARTIALLY LIT

- Lamp failure.
- Front glass needs cleaning.
- Garland motor failure.

FLAMES POOR OR NOT MOVING

- Thermostat setting too low.
- Thermostat failure.
- Cut-out operating.
- Blower motor failure.
- Cut-out failure.
- Switch failure.

FAN HEATER NOT WORKING

- Element failure.
- Switch failure.

FAN HEATER BLOWS COLD OR ONE HEAT SETTING NOT WORKING

ENSURE APPLIANCE IS DISCONNECTED FROM THE ELECTRICITY SUPPLY BEFORE DISMANTLING.

NOTE ALL CONNECTION DETAILS AND ROUTING OF LEADS BEFORE DISMANTLING.

ALWAYS REPLACE CABLE TIES ON RE-ASSEMBLY.

Numbers appearing in the text refer to illustrations and spares list numbers.

- 1.1 To gain access to the lamps, open the firebox door, then remove the two screws ❶ securing the fuel effect logs and grate assembly (see Fig. 1). Lift the fuel effect up slightly to clear the ledge at the base of the glass viewing screen, tilt one end up first ❷ and then lift the fuel effect out of the firebox ❸.
- 1.2 Carefully rotate the lamp anti-clockwise ↺ until it comes out of its holder (see Fig. 2). Replace the defective lamp with a 240V, 40 watt E14 SES clear candle lamp, rotating the lamp clockwise ↻ in the holder until it is fully home. Do not overtighten.
- 1.3 Refit the fuel effect, ensuring that the rear edge locates on the ledge at the base of the glass viewing screen (see Fig. 1)

## REMOVE/REPLACE LAMPS

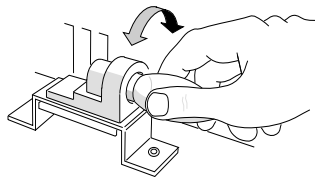


Fig. 2

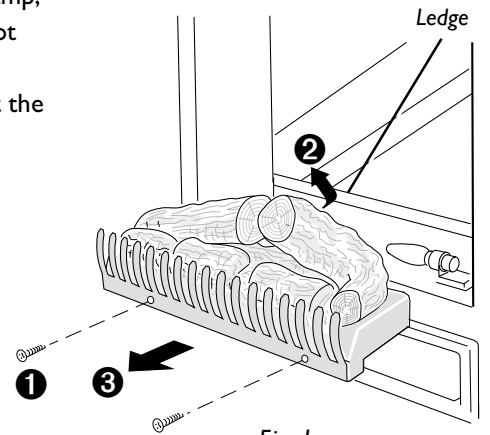


Fig. 1

- 2.1 Remove the six screws (three down each side) securing rear panel to surround 35, and the two screws ❶ located above the fuel effect through the sides of the chassis (see fig. 3). Slide the chassis assembly out from the rear of the surround.
- 2.2 To avoid damage to the fan heater, place the chassis assembly on blocks (imperative if the heater unit is to be operated during servicing).

## REMOVE CHASSIS FROM SURROUND

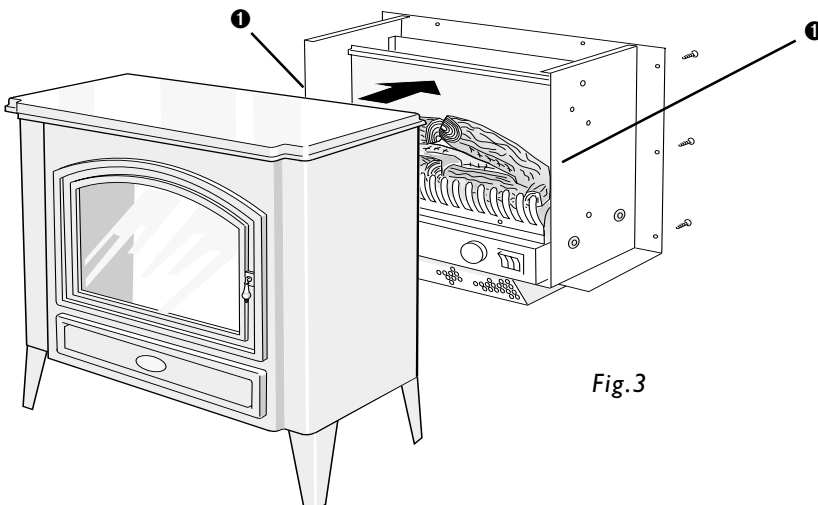


Fig. 3



- 3.1 Remove the chassis as described in Sections 2.1 and 2.2 above.
- 3.2 Remove the terminal plate cover 21 secured by two screws. Disconnect the live and neutral leads from tri-clamp block 22 and the earth lead from the earth stud.
- 3.3 Remove the cable clamp screw from the outside of the terminal plate and loosen the clamp block before withdrawing cable 20 from the clamp.

## REMOVE/REPLACE MAINS CABLE

- 4.1 Remove the chassis assembly from the surround as detailed in 2.1 and 2.2 above and invert the unit.
- 4.2 Remove the single screw securing terminal plate cover 21 to the side of box assembly 27, and the four screws securing fan heater assembly box 27 to the chassis base. The fan heater unit can now be lifted away from the chassis to the extent of its connecting leads.
- 4.3 Note connection details, then disconnect the two red leads from the switches (also the red jumper lead from heat switch I to II which is crimped onto one of the red leads) and one blue lead from the thermostat. Lift the fan heater unit away.
- 4.4 Blower motor 19 is secured by four screws to blower angle brackets 23, 24. Element 25 is attached to the blower motor by four screws. Overheat cut-out 26 is secured to the element by a single screw.

## REMOVE/REPLACE FAN HEATER AND CONTROLS

- 5.1 Remove the chassis assembly from the surround as detailed in 2.1 and 2.2 above.
- 5.2 Remove the fuel effect assembly 4 (two screws).
- 5.3 Control panel 3 is secured by two screws into the underside of the chassis along the bottom edge and by two screws into the inner base at points **A**. Remove the screws and ease the control panel away to the extent of its leads.
- 5.4 Switches 1 are a snap fit – compress clips and push out firmly. Note connection details before disconnecting.
- 5.5 Thermostat knob 2 is a push-fit. Thermostat 18 is secured to the control panel by two screws.

## REMOVE/REPLACE CONTROLS

- 6.1 Remove the chassis assembly from the surround as detailed in 2.1. and 2.2 above.
  - 6.2 Remove the fuel effect logs and grate assembly 4 (two screws).
  - 6.3 *Whilst supporting reflective glass 9*, remove the two screws securing fixing bracket 10. Remove the bracket then lift the glass out and store it carefully.
  - 6.4 The flame panel 11 is secured to the flame holder panel **B** by two screws, the flame holder panel is secured to the inner side panels by four screws.
- For access to Rotalink motor/gear assembly 6 and 8 :-
- 6.5 Remove the chassis and the fuel effect assembly as detailed in sections 6.1, 6.2 above. The Rotalink assemblies are each secured by two screws through the inner-side panel. Wiring is by push-on connectors via terminal block 7.
  - 6.6 Note: On Series A production, the Rotalink motor leads are crimped together into the spade terminals which connect to a two-way terminal block 7. When

## REMOVE/REPLACE FLAME EFFECT



replacing a motor/gear assembly 6 or 8, use conversion kit FP9940 to modify connections – see parts list.

Series B production has individual motor leads connecting to a 4-way terminal block 7.

To remove/replace lamp holders:

- 6.7 Remove the chassis assembly and the fuel effect assembly as detailed in sections 6.1 and 6.2 above.
- 6.8 Detach the fan heater assembly as detailed in section 4.2 above.
- 6.9 Lamp holders 16 are a snap fit in the inner base panel and are secured by a single screw. Leads are connected by push-in single-use spring clips. Use a small screwdriver or similar to compress clip and remove lead. **DO NOT DISCONNECT LEADS UNLESS REPLACING A DEFECTIVE LAMP HOLDER.**
- 7.0 When re-assembling, ensure that the reflective glass is fitted the correct way round - with the reflective side facing outwards.

**REMOVE/REPLACE  
FLAME EFFECT  
CONT'D**

AFTER SERVICING, IT IS RECOMMENDED THAT THE PRODUCT IS TESTED FOR INSULATION AND EARTH CONTINUITY, IN ACCORDANCE WITH RELEVANT LOCAL SAFETY REGULATIONS.