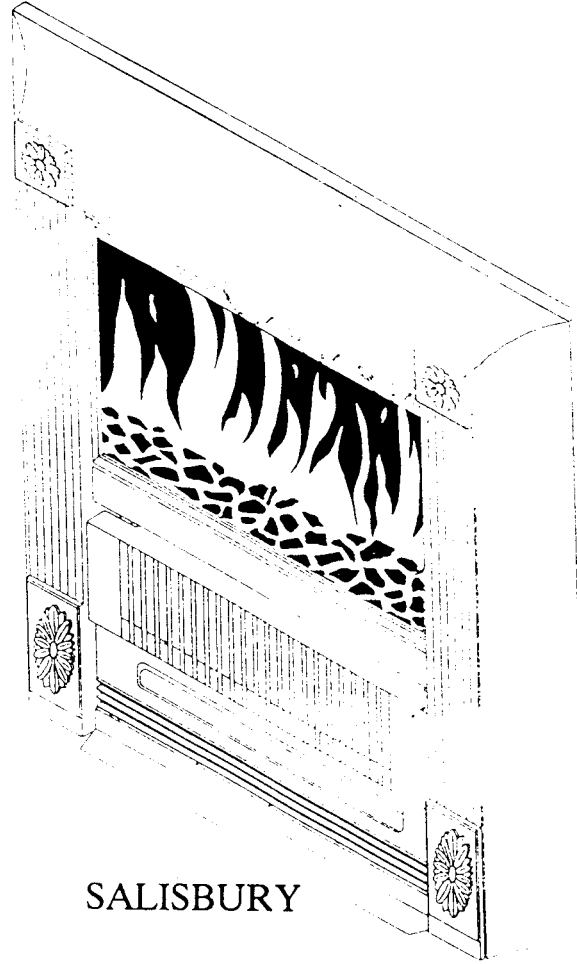
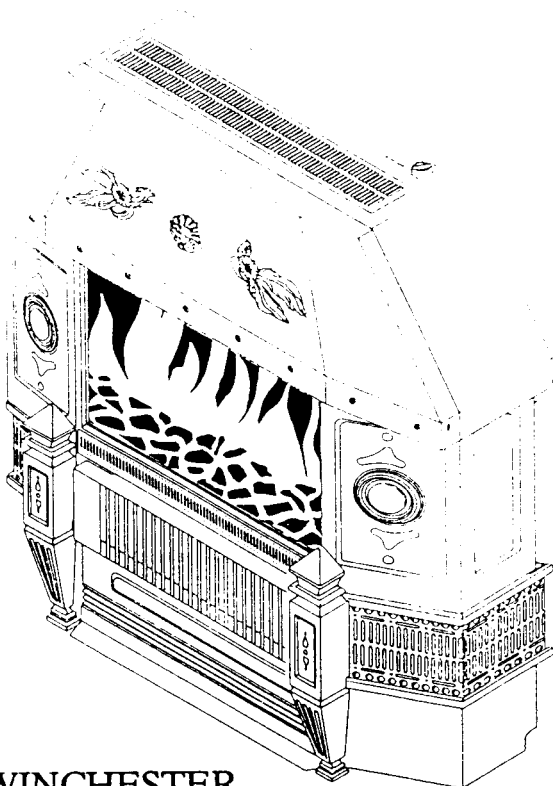


LYMINGTON



SALISBURY



WINCHESTER

RADIANT - CONVECTOR FIRE WITH OPTIFLAME EFFECT
MODEL NO. LYM 28E

INTRODUCTION

This traditionally styled fire with black canopy and brass effect trim is similar to the Lyndhurst 430RCE. The main difference being the incorporation of the unique optiflame effect, which can be used independently of the radiant and convector heaters.

INSTALLATION

This fire must be installed and operated as described in the installation and operating instructions supplied with the fire.

SERVICING

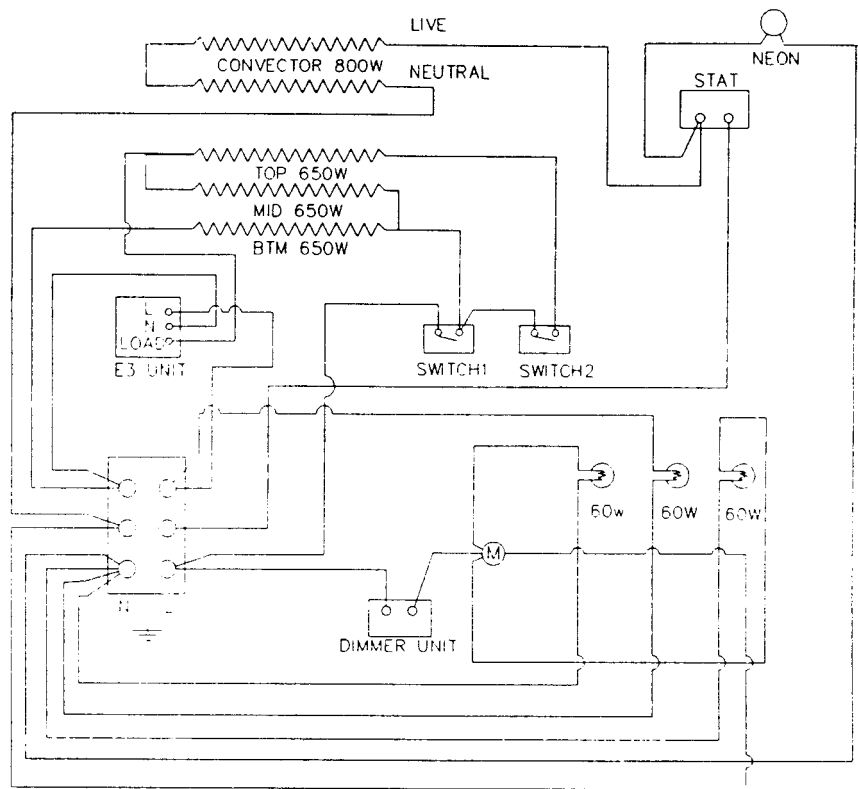
(TO BE ISSUED LATER)

SPECIFICATION

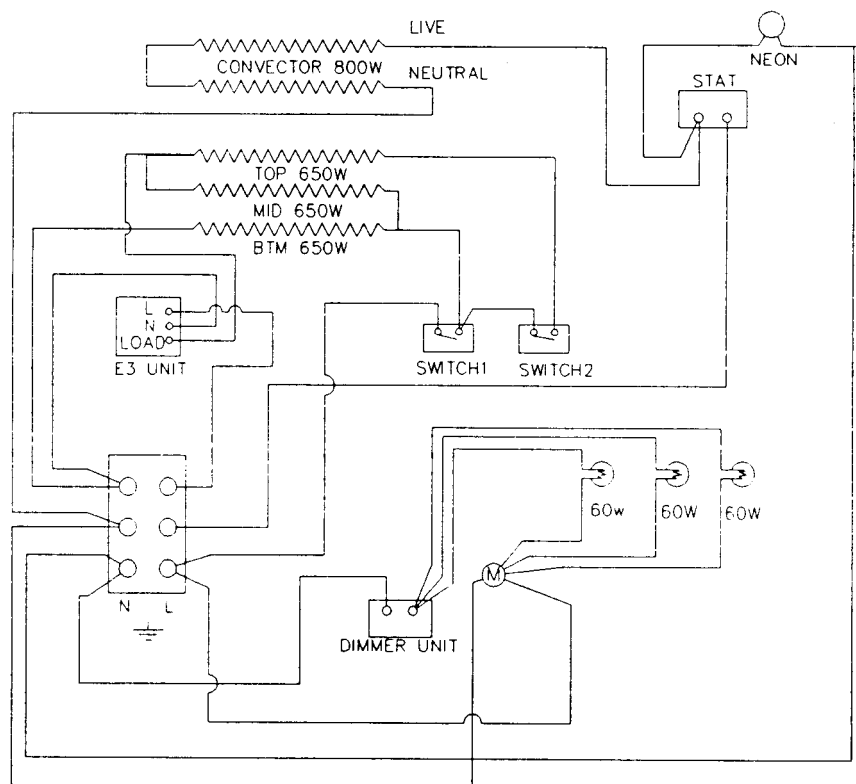
Type	:	Radiant/Convector
Loading	:	2.8 KW
Length	:	725mm
Height	:	680mm
Depth	:	230mm
Elements	:	3 x 650w Silica elements electronically controlled for radiant heat. 1 x 800w Spiral element thermostatically controlled for convector heat.
Illumination	:	3 x 60w Red Fireglow lamps - 2 lamps controlled by dimmer unit.
Motors	:	Blower unit for Optiflame effect controlled by dimmer unit.
Thermostat	:	(TSB) 5 - 55 C _ 4K marked *123456
Electronic	:	Control (Otter) E3B 26 C - 56 C.
Dimmer Control *	:	Controls Blower motor speed and outer lamp brilliance (Series A&B).
Electrical Connection	:	Supplied with a rewirable plug/lead assembly 2 metres long.

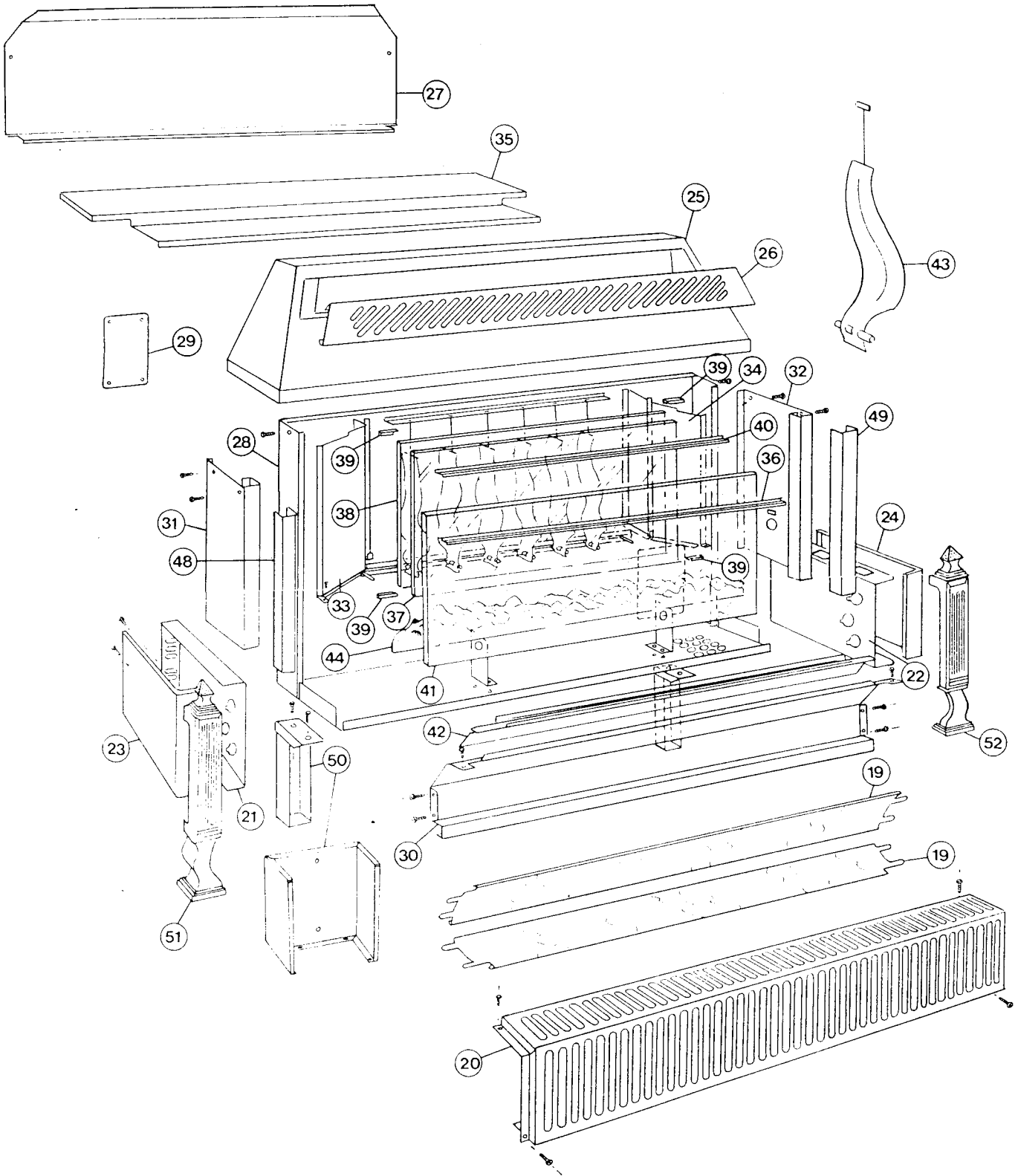
* Note : From Series "C" Dimmer Controls brilliance of all lamps but not the blower unit for Optiflame effect, which runs at constant speed.

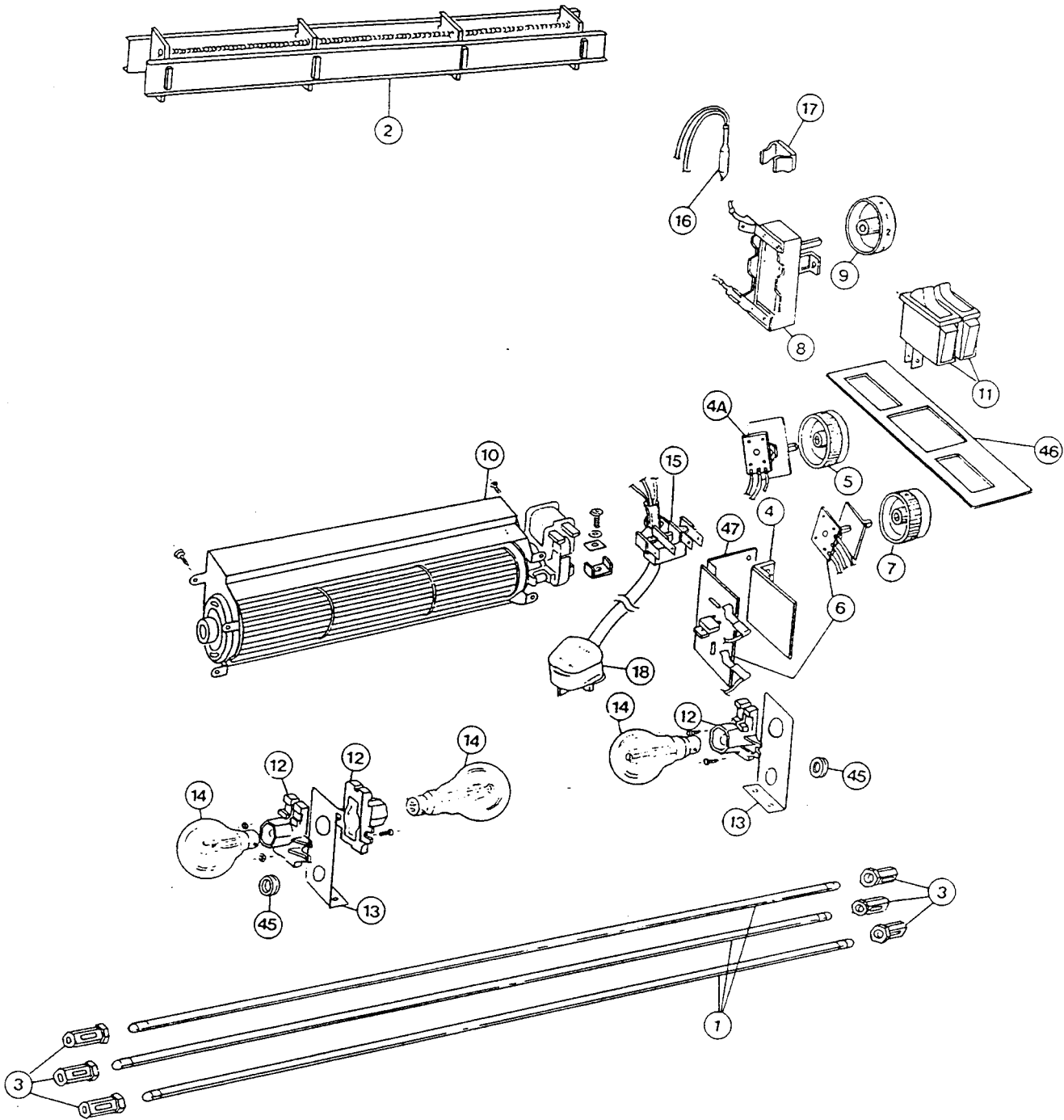
CIRCUIT DIAGRAM LYM 28E SERIES A&B



CIRCUIT DIAGRAM LYM 28E SERIES C

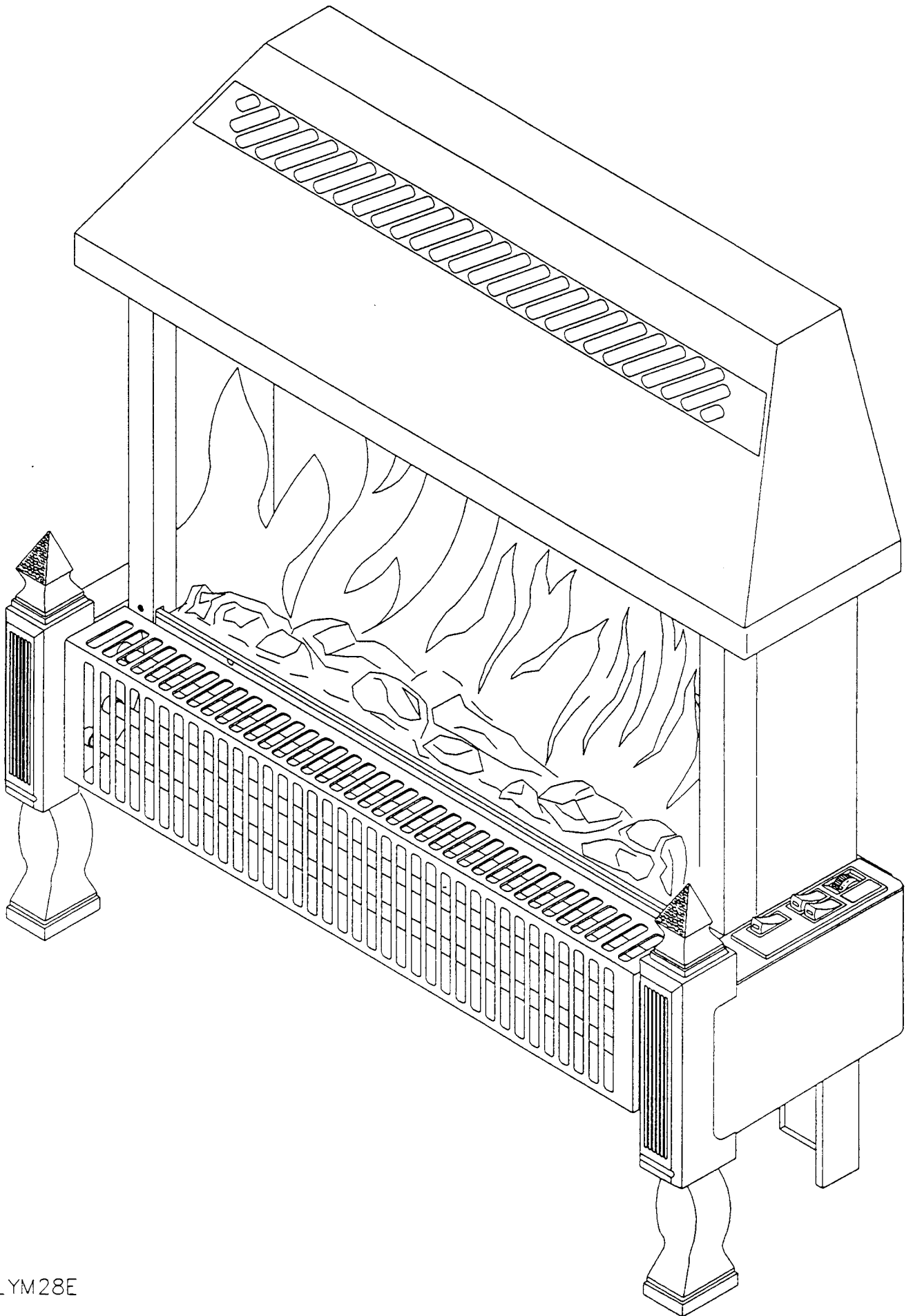




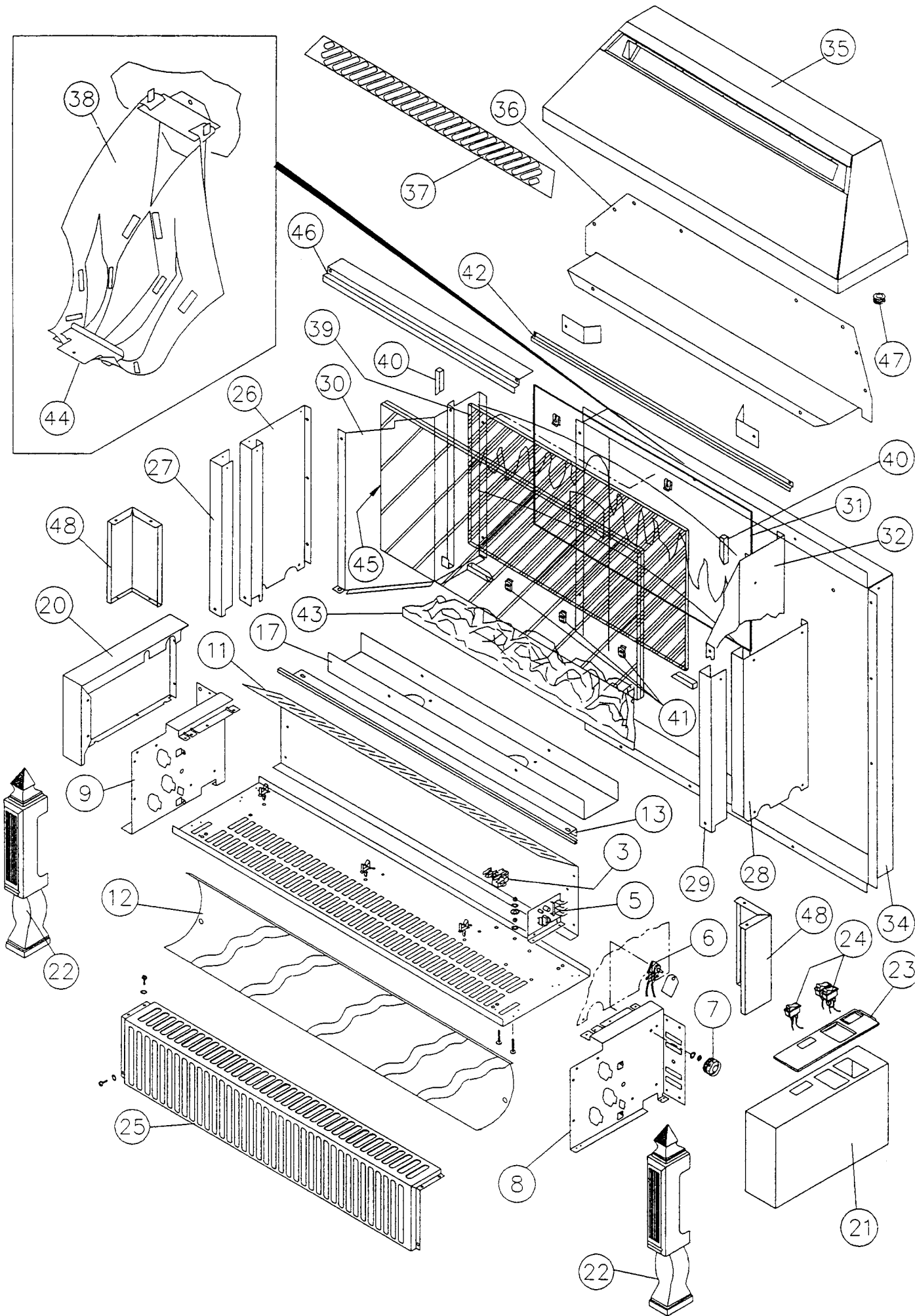


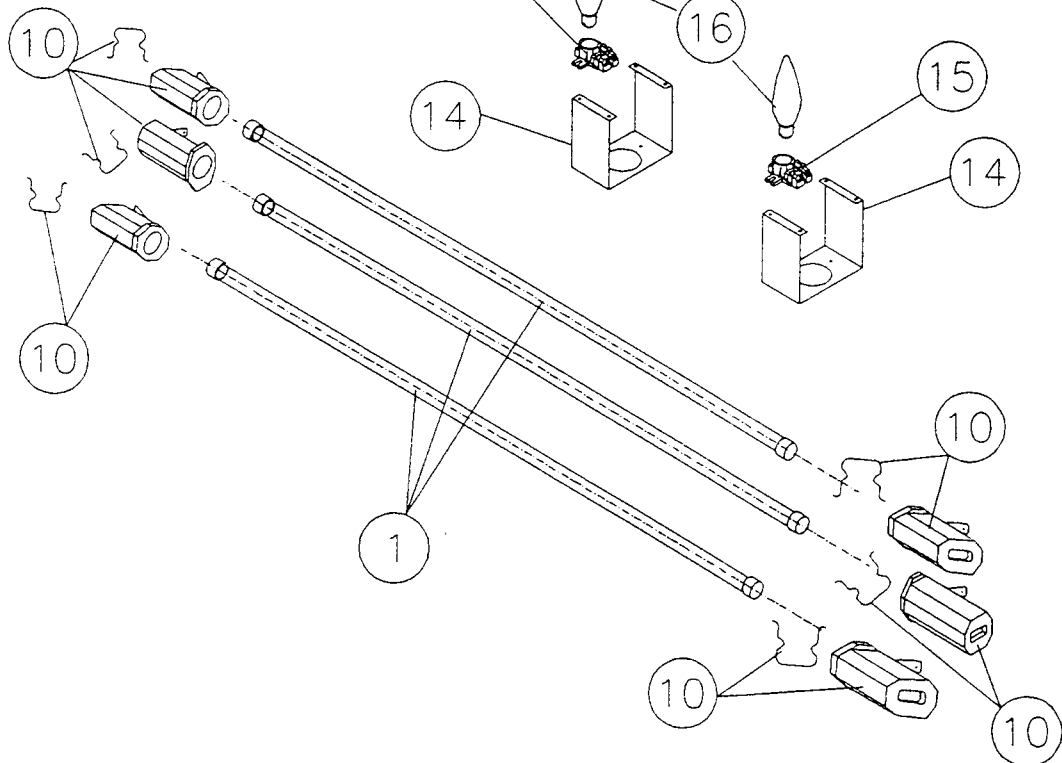
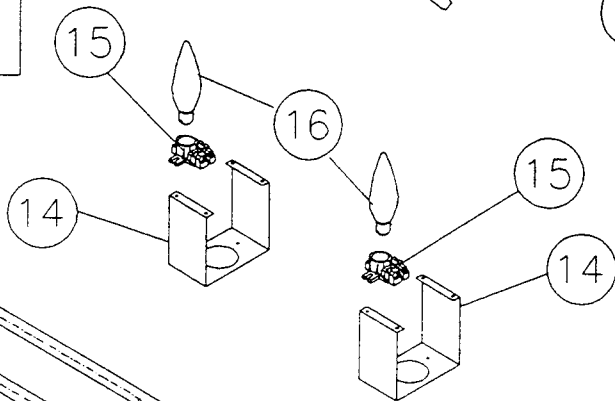
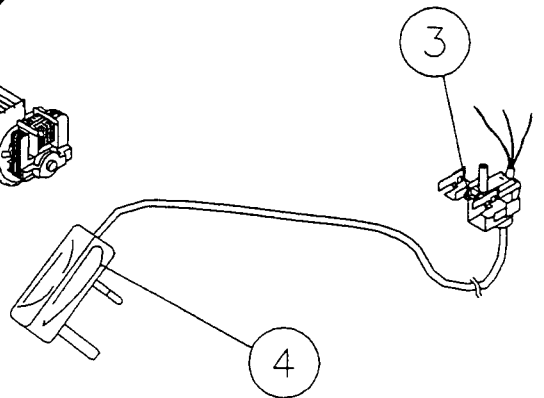
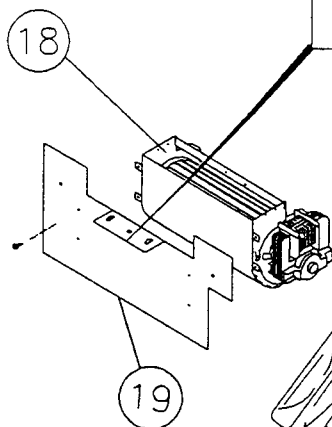
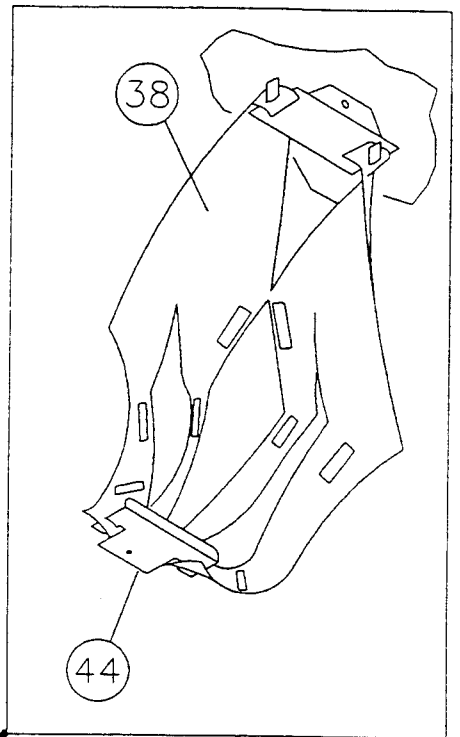
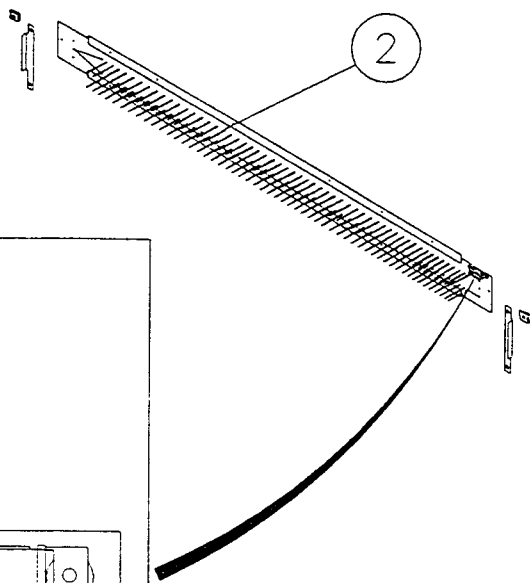
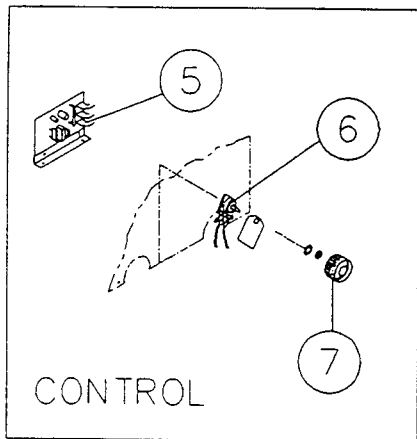
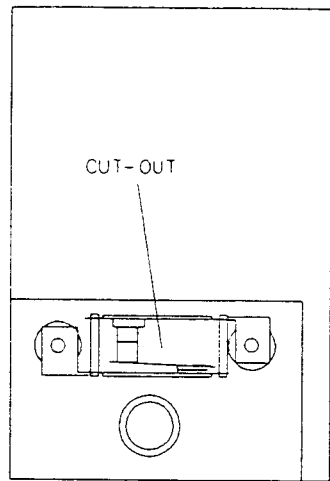
ITEM	CAT NO.	WATTS	VOLTS	DESCRIPTION	COLOUR	MODEL
1	BF7401	650	240	ELEMENT ASSY.		
2	FP8955	800	240	ELEMENT ASSY. (CONVECTOR)		
3	BF7400			SOCKET CONNECTOR (ELEMENT)		
4	BF8803			ELECTRONIC CONTROL		
4A	BF9118			POTENTIOMETER		
5	FP8958			CONTROL KNOB (ELECTRONIC CONTROL)		
6	FP8963			DIMMER CONTROL ASSY.		
7	FP8937			CONTROL KNOB (DIMMER CONTROL)		
8	FP8951			THERMOSTAT		
9	FP8952			CONTROL KNOB (THERMOSTAT)		
10	FP8950			BLOWER UNIT (FLAME EFFECT)		
11	BF7211			SWITCH S/POLE		
12	BF7225			LAMPHOLDER		
13	FP8934			LAMP HOLDER BRACKET		
14	BF7223	60	240	LAMP	RED	
15	BF7469			TERMINAL BLOCK		
16	FP8956			NEON ASSY.		
17	DX8507			NEON LENS	RED	
18	FP8932			REWIRABLE PLUG/LEAD ASSY.		
19	BF7257			REFLECTOR		
20	BF7320			GUARD	BLACK	
21	BF7480			END BOX L/H	BLACK	
22	FP8935			END BOX R/H	BLACK	
23	BF8806			END BOX COVER L/H	BLACK	
24	BF8807			END BOX COVER R/H	BLACK	
25	FP8953			CANOPY ASSY.		
26	FP8954			CANOPY INSERT		
27	FP8962			UPPER BACK PANEL		
28	FP8931			BACK & BASE PANEL		
29	FP8933			REAR COVER PLATE		
30	FP8961			CHASSIS		
31	FP8946			OUTER SIDE PANEL L/H		
32	FP8947			OUTER SIDE PANEL R/H		
33	FP8942			INNER SIDE PANEL L/H		
34	FP8943			INNER SIDE PANEL R/H		
35	FP8944			TOP COVER		
36	FP8945			TOP GLASS SECURING STRIP		
37	FP8905			REFLECTA FLOAT GLASS		
38	FP9403			LEXAN SHEET		
39	FP8903			CORNER PIECES (4)		
40	FP8929			REFLECTIVE GLASS RETAINING BRACKET		
41	FP8941			LAMINATED REFLECTA FLOAT GLASS		
42	FP8960			GLASS SUPPORT BRACKET		
43	FP9130			FLAME SAIL (8)	RUBY	
44	FP9010			COAL EFFECT		
45	FP8936			GROMMET		
46	FP8959			ESCUTCHEON (CONTROLS)		
47	FP8957			BRACKET (ELECTRONIC CONTROL)		
48	FP8948			UPRIGHT PANEL TRIM L/H		
49	FP8949			UPRIGHT PANEL TRIM R/H		
50	BF9125			REAR FOOT (UNIVERSAL)		
51	BF9123			FRONT LEG (UNIVERSAL)	GOLD	

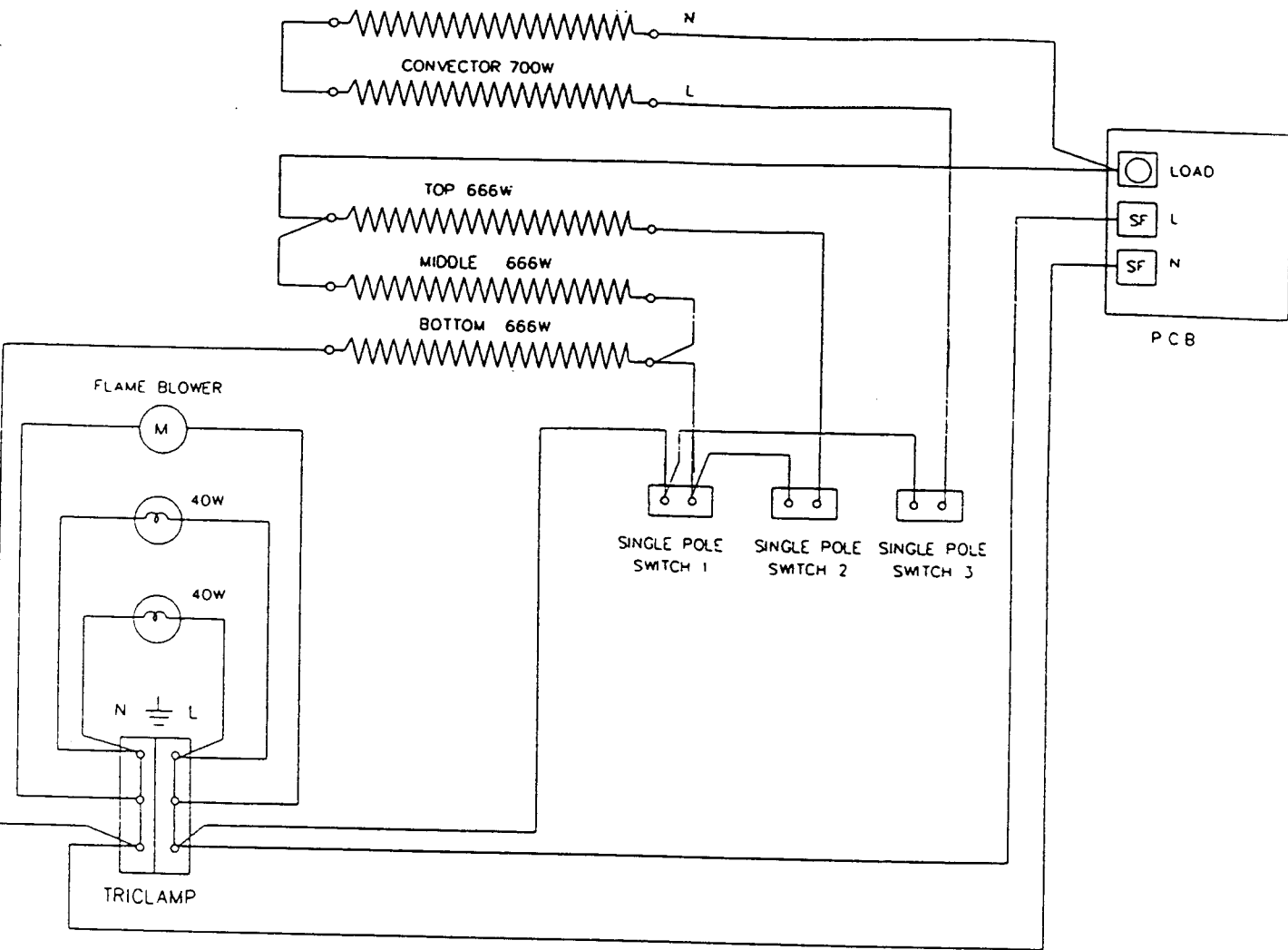
ITEM	CAT NO.	WATTS	VOLTS	DESCRIPTION	COLOUR	SERIES
38	FP8926			ETCHED PERSPEX		A
43	FP8916			FLAME SAIL ASSY. (WITH TAGS) (8)	GOLD	A-D
43	FP9206			FLAME SAIL (WITHOUT TAGS) (8)	GOLD	E-F
44	FP9010			COAL EFFECT		A-H
51	FP8938			FRONT LEG L/H	GOLD	A-E
52	FP8939			FRONT LEG R/H	GOLD	A-E



LYM28E







PARTS LIST				LYMINGTON LYM28E (95) SERIES I, J & K		
-------------------	--	--	--	--	--	--

ITEM	CAT NO.	WATTS	VOLTS	DESCRIPTION	COLOUR	SERIES
1	BF9301	666	240	ELEMENT ASSY.		
2	FP9533		240	CONVECTOR ELEMENT ASSY. C/W TH10 C/OUT		
3	BF7469			TERMINAL BLOCK (TRI - CLAMP)		
4	FP8932			SUPPLY CORD & PLUG		
5	BF8803			ELECTRONIC CONTROL		
	FP00061			ELECTRONIC CONTROL		Ser K
6	BF9118			POTENTIOMETER & LEAD ASSY.		
	FP00062			POTENTIOMETER & LEAD ASSY.		Ser K
7	FP8958			CONTROL KNOB (ELECTRONIC CONTROL)		
8	BF9403			ELEMENT END PANEL R/H		
9	BF9404			ELEMENT END PANEL L/H		
10	BF7400			ELEMENT SOCKET CONNECTOR		
11	BF9412			REFLECTOR BAFFLE		
12	FP9534			REFLECTOR		
13	BF9413			SUPPORT BRACKET (FUEL EFFECT)		
14	FP9535			LAMP HOLDER BRACKET		
15	BF7225			LAMP HOLDER		
16	FP9309			CANDLE LAMP	CLEAR	
17	FP9536			ACCESS COVER		
18	FP9423			BLOWER MOTOR (FLAME)		
19	FP9537			MOUNTING PLATE (BLOWER)		
20	BF9425			END CAP L/H		
21	FP9538			END CAP R/H		
22	BF9123			FRONT LEG (UNIVERSAL)	GOLD	
23	FP9539			ESCUTCHEON		
24	BF7211			SWITCH (S/POLE)		
25	BF7320			GUARD	BLACK	
26	BF9427			UPRIGHT PANEL L/H		
27	FP9540			UPRIGHT TRIM L/H		
28	BF9428			UPRIGHT PANEL R/H		
29	FP9541			UPRIGHT TRIM R/H		
30	FP9542			REFLECTA GLASS SUPPORT BRACKET L/H		
31	FP9562			DIFFUSER		
32	FP9544			REFLECTA GLASS SUPPORT BRACKET R/H		
34	FP9546			BACK PANEL		
35	FP9547			CANOPY ASSY.		
36	FP9548			CANOPY BACK		
37	FP8954			CANOPY INSERT		
38	FP9310			FLAME RIBBON ASSY.		
39	FP9549			REFLECTA FLOAT GLASS		
40	FP8903			CORNER PIECES (4)		
41	FP9550			EDGE CLIPS (6)		
42	FP8929			REAR GLASS RETAINING BRACKET		
43	FP9604			COAL EFFECT		
44	FP9314			FLAG BRACKET (BOTTOM)		
45	FP9552			LAMINATED REFLECTA GLASS		Ser I
	FP9603			LAMINATED REFLECTA GLASS		Ser J & K
46	FP9553			FRONT GLASS RETAINER		
47	FP9554			GROMMET		
48	BF9426			REAR FOOT		
-	FP9605			RUBBER BUFFER (2)		Ser J