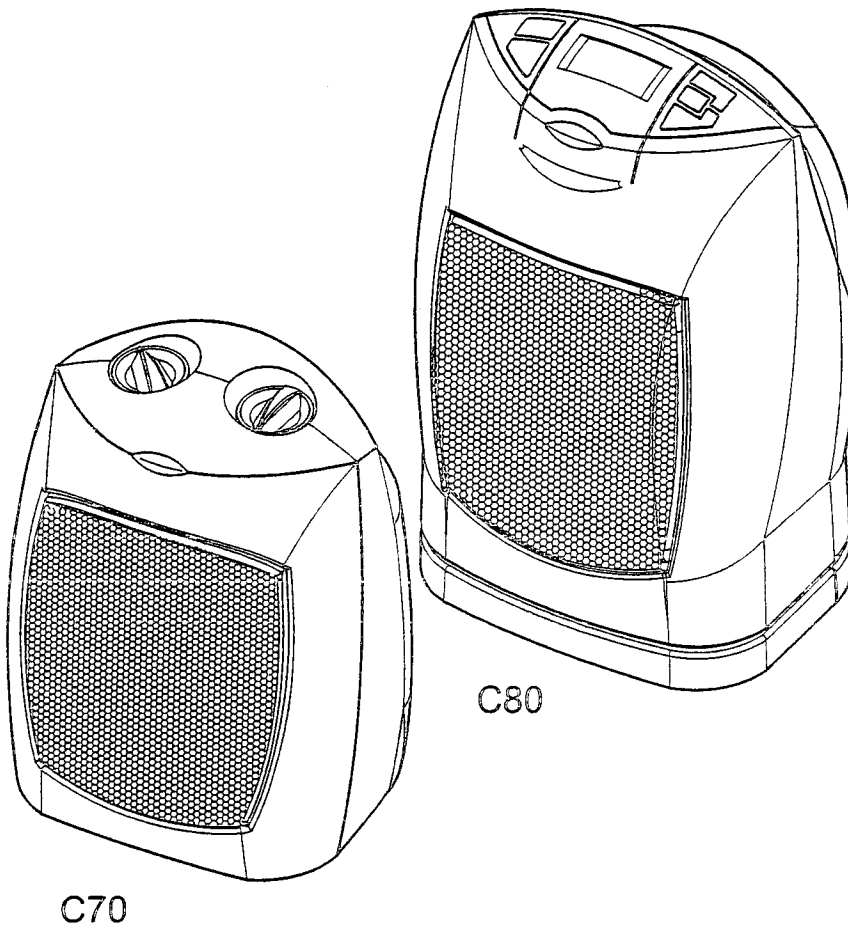


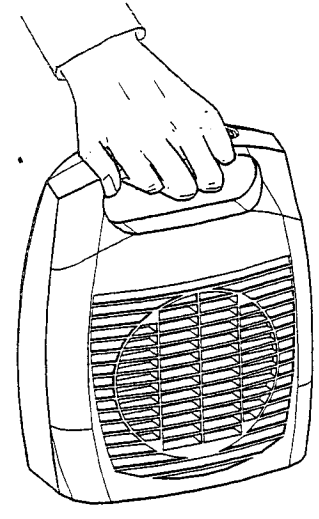
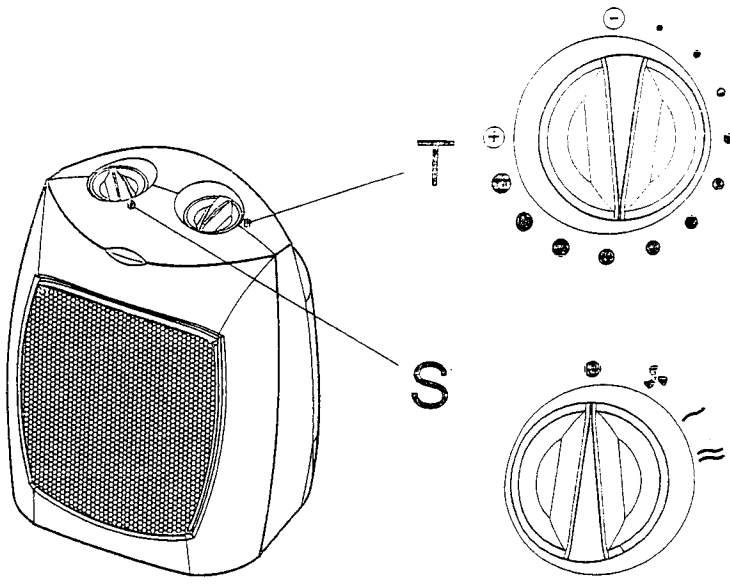
Dimplex

C70 & C80

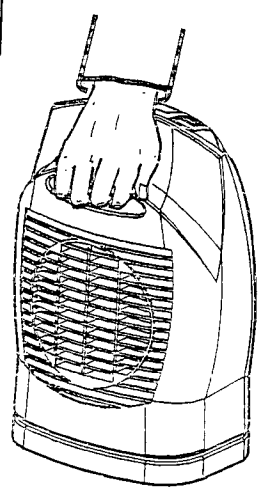
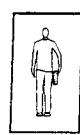
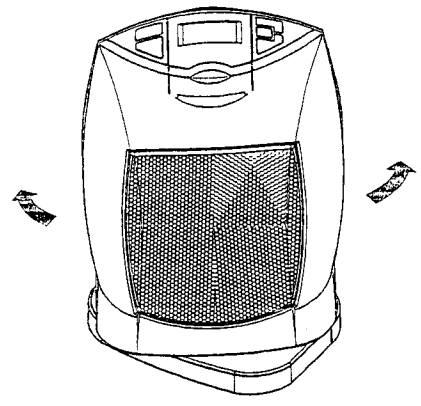
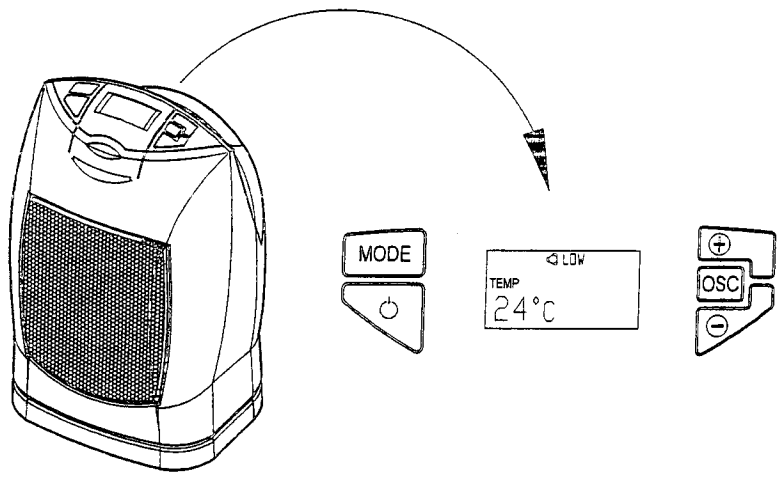


(AUS/NZ)

Ceramic C70



Ceramic C80



DC Dimplex

Dear Customer,

Please read the following information carefully before using the appliance for the first time for your own safety and to ensure correct use.

Attention! The appliance may only be used for normal domestic use and not for industrial purposes.

Important safety advice

The appliance must only be used as described in the instructions for use! Use for any other purpose is forbidden! Any damage resulting from improper use and non-observance of the safety information will invalidate any liability and warranty!

All liability is disclaimed for any frost damage caused by a heating capacity that is insufficient for the room size, bad heat insulation of the room, incorrect use or force majeure (e.g. power failure).

Only connect the appliance to A.C. mains as specified on the rating plate!

Never touch live parts! Danger to life!

Never operate the appliance with wet hands! Danger to life!

The appliance must be placed in a way that the control elements cannot be touched by persons who are in bath, shower, or any other water-filled receptacle.

Do not use the appliance in rooms with bath, shower or swimming pool or in the vicinity of wash basins or water connections!

Do not expose the appliance to rain or other moisture! The appliance is not for outdoor use. The appliance must only be stored indoors!

Never use the appliance if the appliance or cord is damaged. Risk of injury!

Check the power cord regularly for damage.

If the power cord or if the appliance is damaged to the extent that electrical parts are exposed, disconnect it immediately from the mains and see your authorised retailer!

If the mains lead is damaged, it must be replaced by the manufacturer or its service agent or a similarly qualified person in order to avoid a hazard.

Improper repairs can expose the user to considerable danger.

The appliance may only be opened up and repaired by authorised qualified personnel.

Do not store or use any flammable materials or sprays in the vicinity of the appliance when the appliance is in use. Fire hazard!

Do not use the appliance in flammable atmospheres (e.g. in the vicinity of combustible gases or spray cans)! Explosion and fire hazard!!

The appliance should not be used in areas which are a fire risk, such as garages, stables, or wooden sheds.

Important! Do not insert any foreign objects into the appliance openings! Risk of injury (electric shock) and damage to the appliance!

The appliance air inlet and outlet openings must not be obstructed in any way!

Place the appliance so that it cannot be touched by accident. Risk of burns!



WARNING: IN ORDER TO AVOID OVERHEATING, DO NOT COVER THE HEATER.

The heater carries the Warning symbol indicating that it must not be covered.

The appliances is not suitable for connection to permanent wiring!

The appliance is not intended for use by young children or infirm persons without supervision! Young children should be supervised to ensure that they do not play with the appliance!

The socket-outlet must be accessible at all times to enable the mains plug to be disconnected as quickly as possible!

Attention! To avoid any danger due to unintentionally resetting the thermal cut-out, the appliance must not be supplied via a timer.

The instruction leaflet belongs to the appliance and must be kept in a safe place. When changing owners, the leaflet must be surrendered to the new owner!

Packaging

After unpacking the appliance, check the same for transport damage and the contents for completeness! In the event of damage or an incomplete delivery, contact your authorised retailer!

Do not discard the original box! It can be used for storage and dispatch to avoid transport damage!

Dispose of the packaging material in a proper manner! Plastic bags should be kept away from children!

Location

The appliance should be placed with a minimum distance of **50cm** from flammable objects, walls or other structures! The appliance openings must not be obstructed in any way!

Do not place the appliance on unstable surfaces (e.g. a bed), where it can tip over!

The appliance must not be located below a socket outlet!

The appliance must not be operated directly on high pile carpets.

Power cord

Only use an approved extension cord that is suitable for the appliance rating!

Position the power cord so that it does not pose a tripping hazard and possibly cause the appliance to be knocked over.

The power cord must not come into contact with hot appliance parts!

Never pull the plug out of the socket at the cord!

Never move the appliance by pulling at the cord or use the cord for carrying purposes!

Do not coil the cord around the appliance! Do not use the appliance with the cord coiled!

This applies particularly if a cable drum is used.

Do not crush the cord or drag it over sharp edges. Do not place it over heated hotplates or naked flames!

Start up

After switching on the appliance for the first time and after an extended period of non-use, a smell may be noticed for a short time.

To use, insert the plug in the socket.

Electrical

WARNING - THIS APPLIANCE MUST BE EARTHED

This heater must be used on an AC ~ supply only and the voltage marked on the heater must correspond to the supply voltage.

Before switching on, please read all the safety warnings and operating instructions.

Operation (C70)

The power light will light up when initially plugging the heater into the outlet and will remain lit during operation. For heater operation, set the thermostat knob to the maximum setting "+". Set the power knob to the desired heat setting. Low heat (1000W represented by \uparrow) high heat (1800W represented by $\uparrow\uparrow$). For heater operation, without any heat output, turn power knob to the fan setting (\uparrow). To disconnect heater, turn power knob to "0" position. Then remove the plug from outlet.

Thermostat (C70)

Before setting the thermostat, allow heater to operate and warm up the room. Set thermostat knob to the maximum setting "+" to start the heater. When the desired temperature comfort level is reached, lower the thermostat setting until the heater stops operating. This is done by moving the thermostat knob towards the minimum setting "-". The heater will now automatically maintain the pre-set temperature level by cycling the heater On and Off. This is normal. To prevent the unit from cycling you need to adjust the thermostat setting to maximum.

Operation (C80)

When the unit is plugged in and the power switch at the rear of the unit is switched on, there will be a "beep" and a red power light to indicate that there is power to the unit will come on. The red light will remain lit until the power switch is closed or the heater is unplugged from the outlet. Pressing the \odot button will start the heater, and press it again will shut the heater off. Upon turning the heater on, the unit will be in the Low heater mode, and the LCD will display the current air temperature. When MODE button is pressed at this point, the heater will be set into HIGH heat mode. Pressing the MODE button once more will set the heater into AUTO mode. The display will now display a SET TEMP indicator. Press the mode button again and the heater will go back to LOW heat mode. Continuing to press the MODE button will cycle the heater through LOW, HIGH, AUTO mode. Press OSC button the heater will oscillate back and forth. Press it again and the oscillation will stop. To disconnect the heater, press button \odot and turn the power switch at the back to off, then remove plug from outlet.

Thermostat (C80)

Press the MODE button until the display shows AUTO mode. To adjust the set temperature, press "+" to increase the temperature and "-" to decrease the temperature. When the air temperature rises 3 degrees above the set temperature, the heater will stop to heat at once and stop to blow and oscillate after 15 seconds. When the air temperature drops below the set temperature, the unit will come back on.

Overheat cut-out

The built-in overheat cut-out switches off the appliance automatically in the event of a fault! Switch off the appliance (For C70; set switch to "0" and thermostat to *) or disconnect the mains plug from the socket. After a short cooling down phase, the appliance is ready for use again! If the fault should occur again, see your local dealer or Dimplex Customer Care should be contacted for further advice - see Warranty leaflet.

Transport

The appliance is provided with a handle for easy carrying

Cleaning

Switch off the appliance first and disconnect the plug from the socket! Clean the housing with a moist cloth, vacuum cleaner or brush.

Do not use any abrasive or caustic cleaning agents! Do not use any flammable cleaning agents e.g. petrol or spirit for cleaning the appliance.

Never immerse the appliance in water! **Danger to life!**

Air inlet and outlet area should be cleaned with a vacuum cleaner regularly. If the appliance is not used for extended periods, it must be protected against excessive dust and dirt.

Disposal

Old appliances should be taken to a public refuse collection point for proper disposal!

Worn out appliances must be made unusable by cutting through the power cord.

After sales service

Please see the separate Warranty leaflet for details of your Warrantee & after sales service including contact details.

Should you require after sales service, please get in touch with the supplier through whom you purchased the appliance, or the contact number on your Warranty leaflet.