

Wall-mounted Fan Heaters

Models : FX 20V , FX 20VT, FX 20VL & FX 20VE

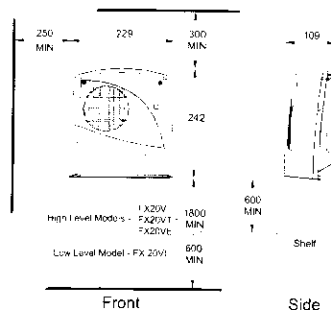
(IP 22)

08/30010/0

Dimensions

(millimetres)

Models	Specification
FX 20V	(High Level) 1/2kw + Adjustable Thermostat (internal by installer)
FX 20VT	(High Level) 1/2kw + Adjustable Thermostat (external by user)
FX 20VL	(Low Level) 1/2kw + Adjustable Thermostat (external by user)
FX 20VE	(High Level) 1/2kw + Electronic, Run-back Timer



IMPORTANT SAFETY ADVICE

WARNING - DO NOT USE THIS HEATER IN THE IMMEDIATE SURROUNDINGS OF A BATH, A SHOWER OR A SWIMMING POOL.

THIS APPLIANCE CARRIES A WARNING 'DO NOT COVER' TO ALERT THE USER TO THE RISK OF OVERHEATING THAT EXISTS IF THE APPLIANCE IS ACCIDENTALLY COVERED.

DO NOT COVER THE APPLIANCE or place material or garments on it, or obstruct the air circulation around this appliance, for example with curtains or furniture, as this could cause overheating and a fire risk.

DO NOT PLACE AEROSOLS OR OTHER CONTAINERS SUSCEPTIBLE TO HEAT IN THE DIRECT AIRFLOW FROM THE UNIT.

THIS HEATER MUST NOT BE LOCATED IMMEDIATELY BELOW A FIXED SOCKET OUTLET.

WARNING – DISCONNECT THE HEATER FROM THE ELECTRICITY SUPPLY BEFORE UNDERTAKING SERVICE OR REPAIR.

If the supply cord is damaged, it must be replaced by the manufacturer or its service agent or a similarly qualified person in order to avoid a hazard.

The appliance is not intended for use by young children or infirmed persons without supervision.

Young children should be supervised to ensure they do not play with the appliance.

WARNING – If the appliance is fitted in a bathroom, a cable outlet will be necessary with the supply to the unit controlled by a double pole switch. The switch if inside the bathroom should be pull cord operated and if outside should be adjacent to the entrance door. The appliance must be mounted so that no part of it can be touched by any person using bath or shower.

General

THESE INSTRUCTIONS SHOULD BE READ CAREFULLY AND RETAINED FOR FUTURE REFERENCE.

The heater has a loading of 2KW. It is designed for permanent wall mounting and is suitable for operation on A.C. electricity supply having the same voltage as shown on the rating label.

The heater is fitted with an internally mounted selector switch which on installation of the heater allows a choice of 1kW or 2kW output to suit the dimensions of the room to be heated.

In rooms of less than 9 – 11 cubic m. (350 - 400 cubic ft.) 1kW output should be selected, otherwise nuisance tripping of the thermal overload cut-out may occur.

NOTE : THE SWITCH HAS BEEN FACTORY SET FOR 2kW OPERATION.

The Controls

The **cut-out** is a safety device which switches off the heater and fan if for any reason the appliance overheats. (see 'Safety')

The **thermal fuse link** is provided as an added safety feature, and

operates to open circuit if there is abnormal overheating within the appliance. The operation of these safety devices is described under 'Safety'

The **pull cord switch** operates the ON/OFF switch. (An indicator light illuminates to show when the heater is ON and does not illuminate when the heater is OFF). Note – No pull cord on the FX 20VL Low level model

The FX 20V & FX 20VT models are fitted with an **adjustable thermostat**, which has three different settings : 1. - Low, 2. - Medium, 3 - High. This gives you an approximate room temperature range of 18°C - 32°C depending on room size. The temperature switches to half heat when the room warms up. Full heat will be switched on automatically when the room temperature falls. Note - The FX 20V can be adjusted by installer, and the FX 20VT can be adjusted by user. The thermostat will only function when 2KW is selected. The thermostat has been factory set on '2' (Medium).

The FX 20VL is also fitted with an **adjustable thermostat** which can be adjusted by user. This has the following settings : 0, * (frost protection), 1, 2, 3, 4, 5 (max). The thermostat should be set to 5 (max). Once the required room temperature is reached, it can be turned back until a click (switch off) can be heard, which will give you a constant room temperature with the thermostat switching on and off automatically. This gives you an approximate room temperature range of 7°C - 32°C depending on room size. Frost protection : When the temperature falls below + 5 ... +8°C, the appliance switches on automatically.

Note – On the FX 20VL the thermostat works independent from the selected output.

To adjust the thermostat setting or reset selector switch first remove the top cover, then adjust thermostat to required setting, or reset selector switch to 1kw or 2kw as required, then refit top cover.

The FX 20VE model has a **run-back timer** which can be set on a run time of 5 – 155 minutes. This can be adjusted by removing the top cover and moving the jumpers on the timer, e.g. to run the timer for 65 mins. you leave the 5, 20 & 40 min jumpers in the closed position (i.e. the closed position is when the jumper covers the two pins on timer), and move the remaining jumpers to open position or on one pin only, which provides no contact between pins. (see Fig. 5 for setting for 65 mins.)

Note: The timer has been factory set for 15 mins.

Safety

Cut-Out

The heater is fitted with a thermal cut-out. If the air inlet or outlet grilles are restricted in any way, the cut-out switches the heater off automatically. To bring the heater back into operation, remove the cause of overheating, then turn off the electrical supply to the heater for a few minutes. When the heater has cooled sufficiently reconnect and switch on the heater.

Fuse Link

A thermal fuse link is provided as an added safety feature. If the fuse link operates and opens circuit it is the result of abnormal overheating within the appliance, and servicing of the appliance by a competent service engineer will be required in order to ensure the future safe operation of the heater. A Dimplex Service Agent should be contacted, who will arrange the replacement of any faulty parts and the fitting of a new fuse link.

Installation

Before undertaking installation work, ensure the electricity supply is disconnected from any relevant fixed wiring. The supply cable should be connected by a competent electrician in accordance with the IEE wiring regulations.

The supply circuit must be adequate for the input of the appliance and must be protected with a 13A fuse.

A suitable termination to the fixed wiring of the premises must be provided adjacent to the final position of the appliance through a double pole switch having a contact separation of at least 3mm in all poles.

Installation Procedure

1. Remove the top cover from the appliance by removing the two screws securing the top cover and hinging it back.
2. Mark the position of the keyhole slots on the wall and drill and plug for the two suitable screws.
3. Partially insert the two screws, then hang the appliance on these screws and mark the position of the lower centrally positioned screw.
4. Remove the appliance and drill and plug for the third screw.
5. Remount the appliance on the wall, ensure that it is horizontal and fix in position by tightening all three screws.
6. Feed the supply cord or wires through the inlet at the top rear of the appliance leaving sufficient free length to connect to the terminal block.
7. Make electrical connections to the terminal block ensuring that the live connection is made to the terminal marked 'L' and the neutral connection to the terminal marked 'N' (see Fig 1 exploded view).
8. Operate the selector switch to provide either 1kW or 2kW output.
9. Replace the top cover and screws.

The appliance is now ready for use and the electricity supply can be reinstated

Wall Mounting

The appliance should be fitted horizontally, with the cable entry at the top and grille at the bottom. It must be mounted not less than 1.8 metres (all models except FX 20VL which should be not less than 600mm) above the floor with a clearance of at least 600mm to any shelf or projecting surface below the heater and not less than 300mm below the ceiling or other projecting surface. It must also be not less than 250mm from an adjacent projecting surface. For most effective heating performance, the heater should be mounted at the minimum height,

i.e. 1.8 metres above the floor for FX 20V, FX 20VT & FX 20VE
& 600mm above the floor for FX 20VL

Care must be taken to ensure that when in use, the air stream is not obstructed by a high shelf or cabinet.

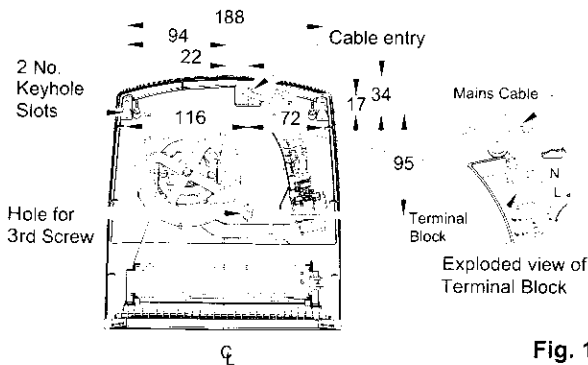


Fig. 1

The appliance is secured to the wall with three screws, two through keyhole slots and one through a centrally positioned lower hole to hold the appliance firmly in position (see Fig 1).

FX 20V High Level Wall mounted

The heater is fitted with a pull cord operated ON/OFF switch, a thermostat, a cut-out, and a thermal fuse link.

The heater has an internal adjustable thermostat which can be adjusted by installer (i.e. the top cover has to be removed), see Fig 2 for controls details with cover removed. Temp. range 18°C - 32°C

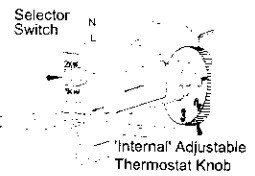


Fig. 2

FX 20VT High Level Wall mounted

The heater is fitted with a pull cord operated ON/OFF switch, a thermostat, a cut-out, and a thermal fuse link.

The heater has an external adjustable thermostat which can be adjusted by user (i.e. by turning the knob to the side of the heater), see Fig 3 for controls details. Temp. range 18°C - 32°C

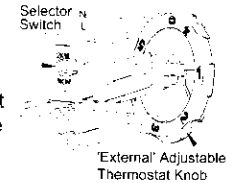


Fig. 3

FX 20VL Low Level Wall mounted

The heater is fitted with a thermostat with an Integrated ON/OFF switch, a cut-out, and a thermal fuse link.

The heater has an external adjustable thermostat which can be adjusted by user (i.e. by turning the knob to the side of the heater), see Fig 4 for controls details. Temp. range 7°C - 32°C

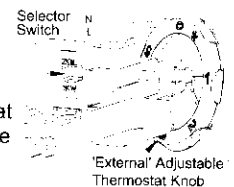


Fig. 4

FX 20VE

The heater is fitted with a pull cord operated ON/OFF switch, a cut-out, and a thermal fuse link.

The heater is fitted with an internal adjustable run back timer, which can be set by installer on a run time of 5 - 155 min. The timer can be adjusted by moving jumpers as shown on detail of timer on Fig. 5

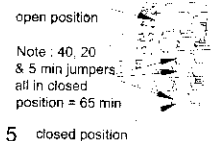


Fig. 5

Cleaning and User Maintenance

WARNING

BEFORE UNDERTAKING CLEANING OR MAINTENANCE WORK ON THE APPLIANCE IMMEDIATELY DISCONNECT THE ELECTRICITY SUPPLY BY SWITCHING OFF AT THE ADJACENT DOUBLE POLE SWITCH.

The outside can be cleaned by wiping it over with a soft damp cloth and then dried. Do not use abrasive cleaning powders or furniture polish as this can damage the surface finish.

CE The product complies with the Australian/New Zealand Safety Standards AS/NZ S 335.2:30:1997 and also the European Standard Electromagnetic Compatibility (EMC) EN 55 014-1:1993, EN 61000-3-2:1995, EN 61000-3-3:1995, EN 55 014-2:1997 which cover the essential requirements of EEC Directive 89/336/EEC.

Specification subject to change without prior notice.

Dimplex