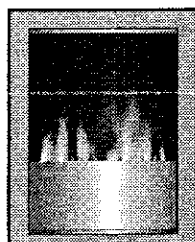
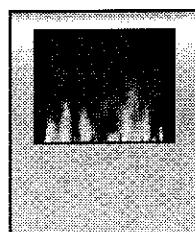


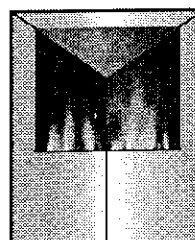
# Dimplex



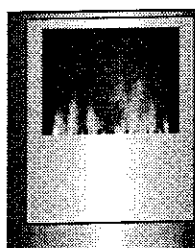
SP120



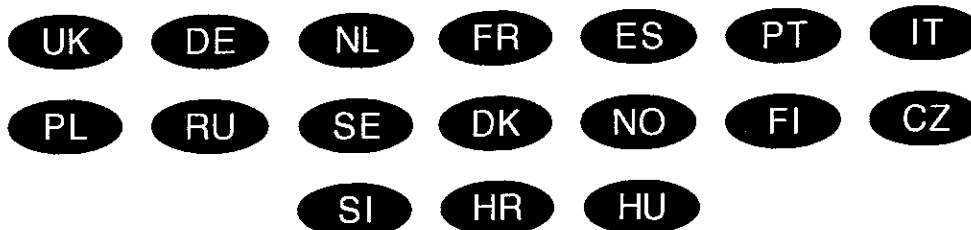
SP220



SP320

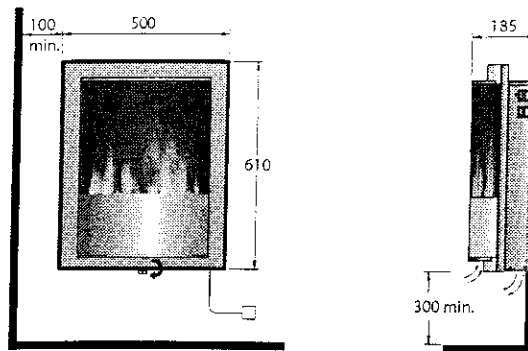


SP820

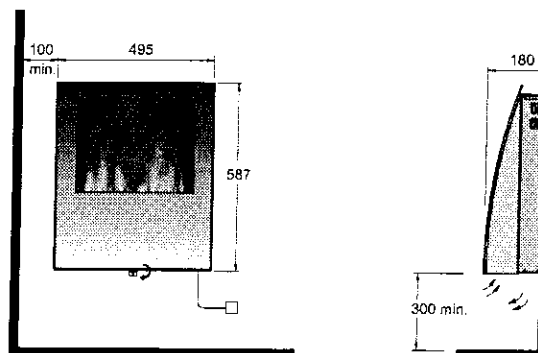


1

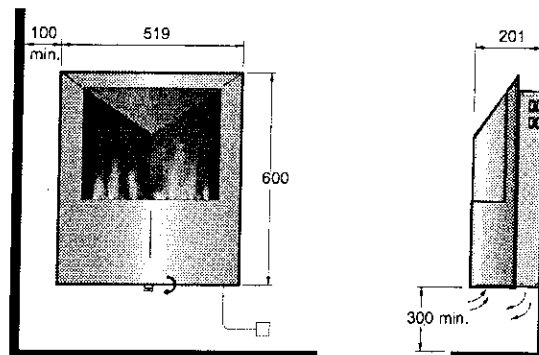
SP120



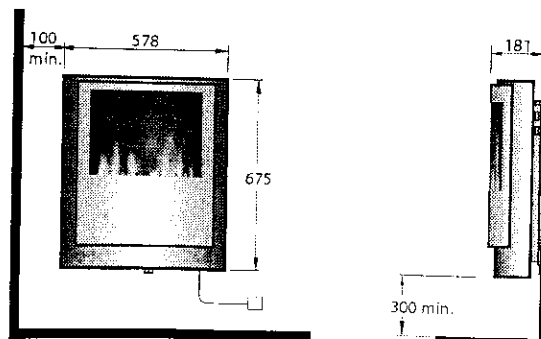
SP220

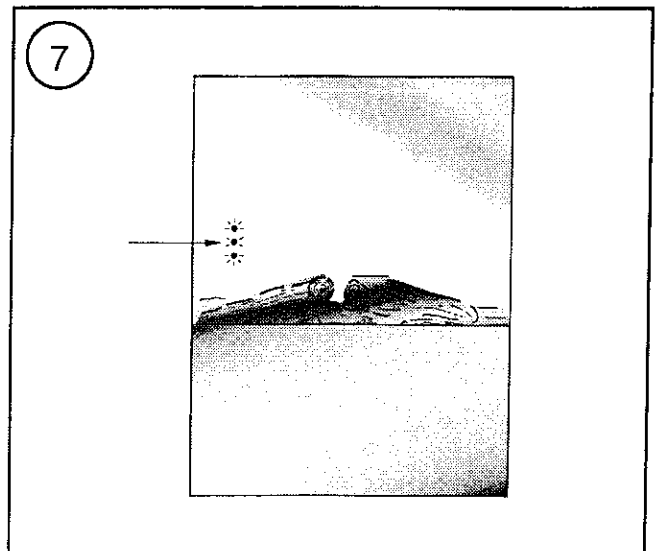
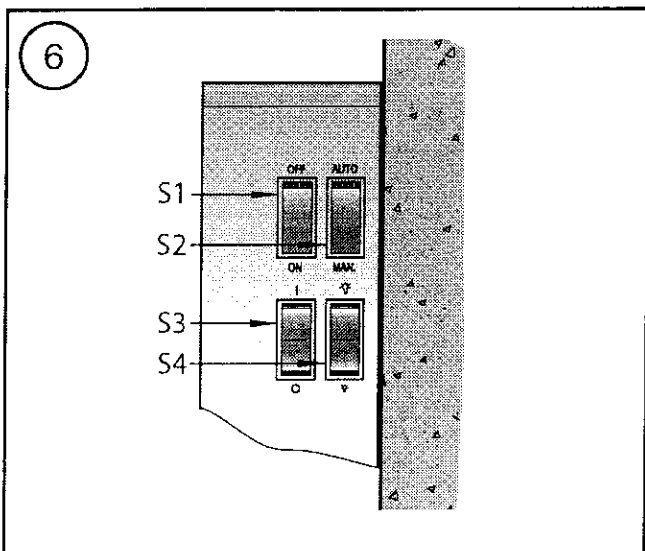
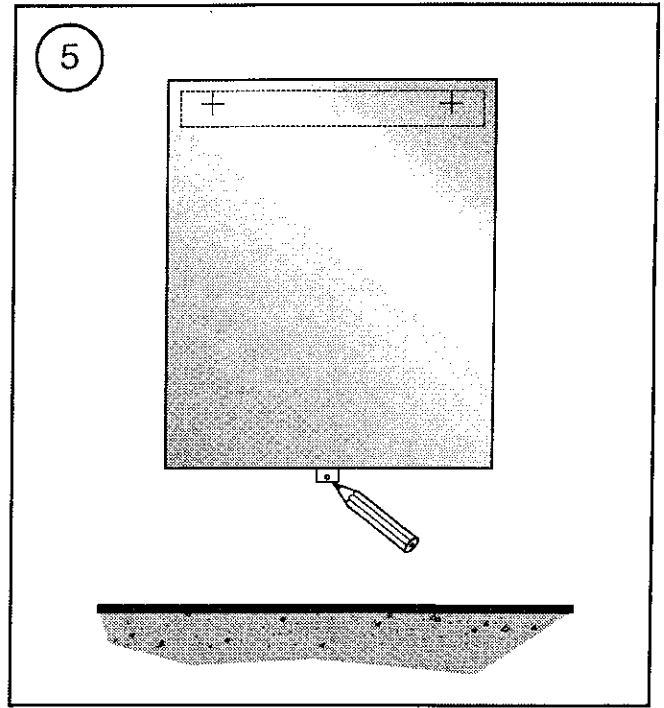
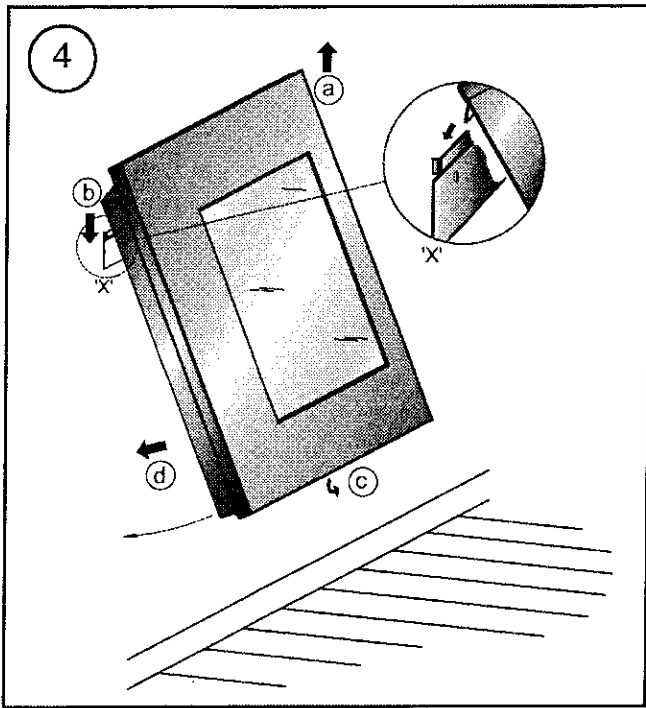
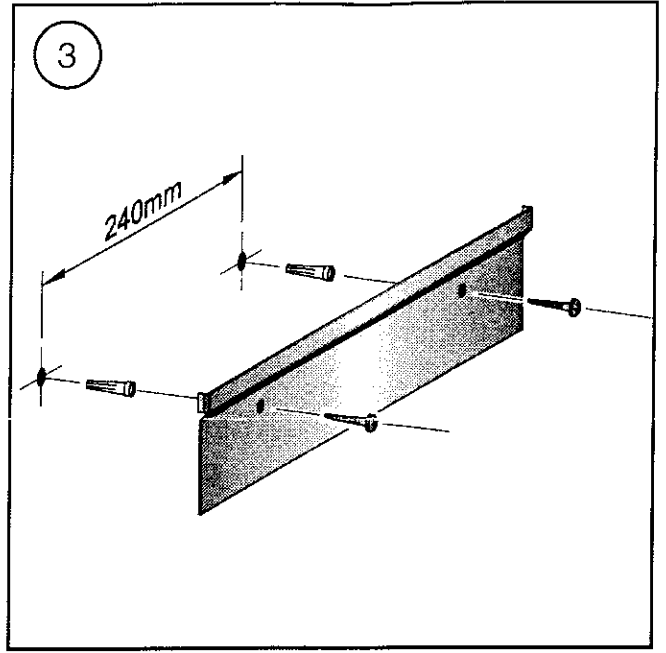
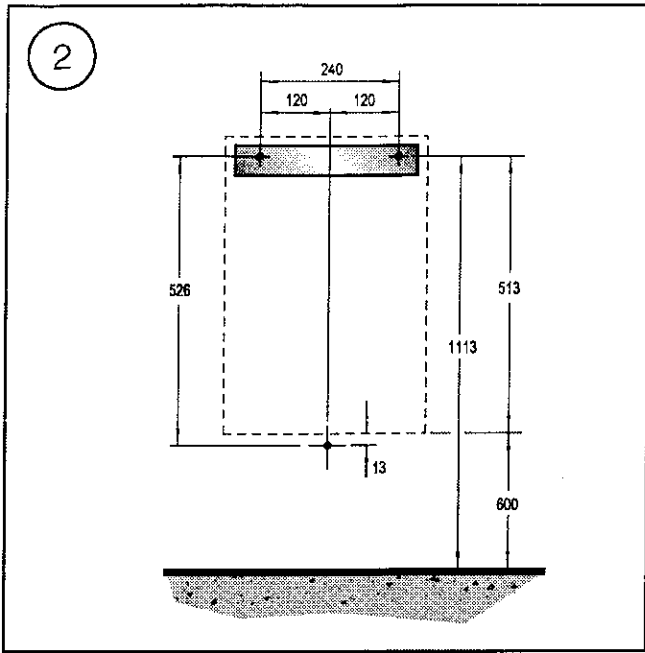


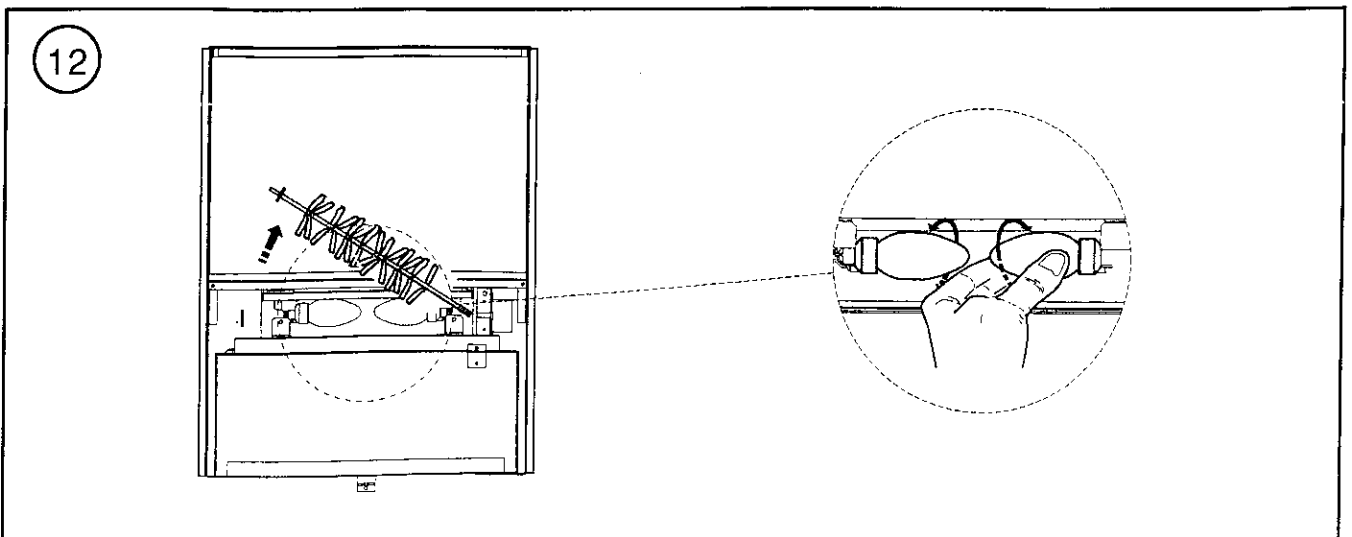
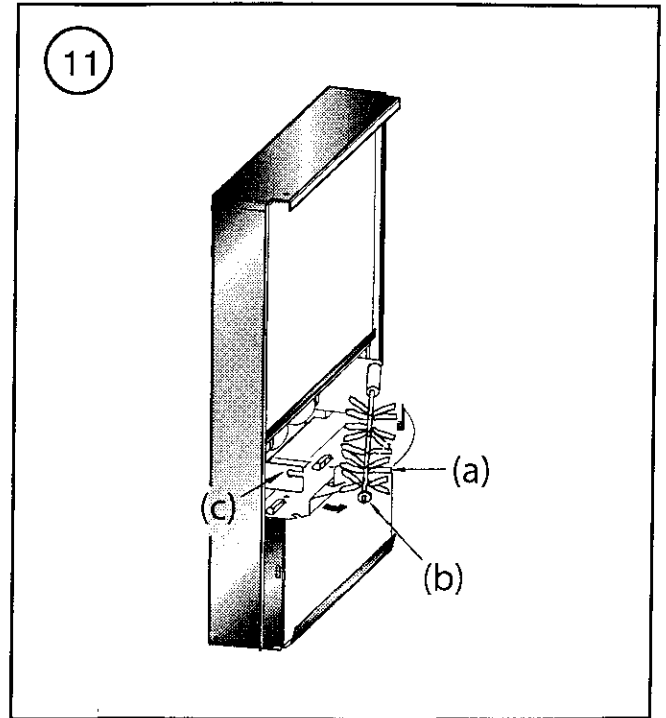
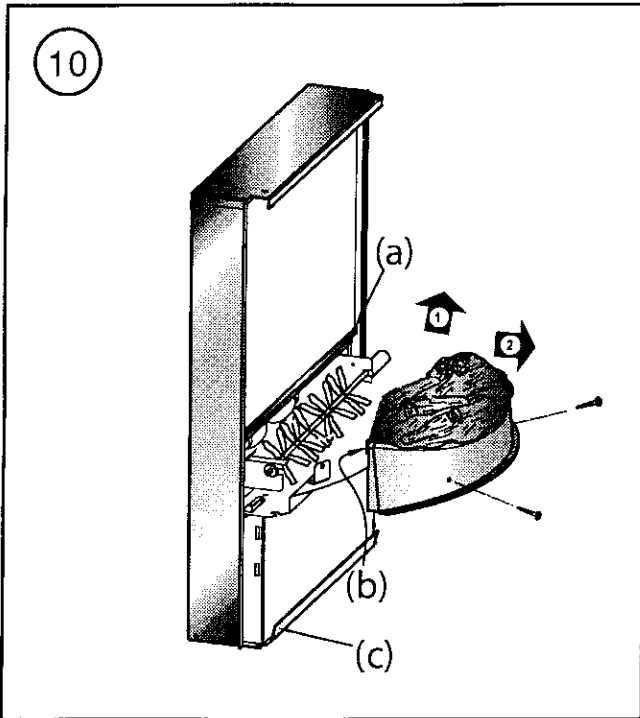
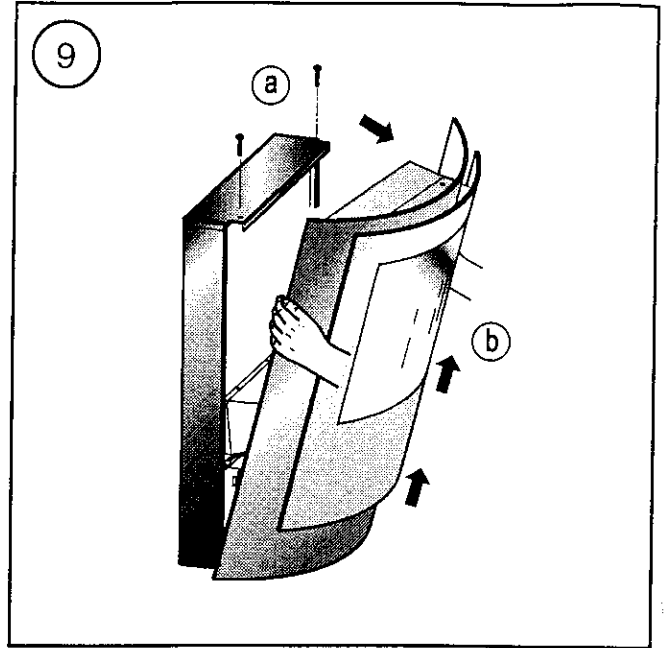
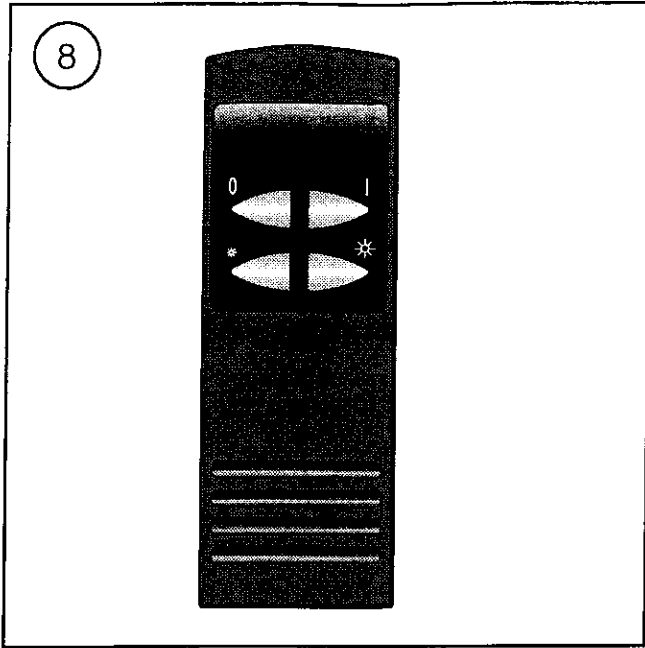
SP320



SP820







IMPORTANT: THESE INSTRUCTIONS SHOULD BE READ CAREFULLY AND RETAINED FOR FUTURE REFERENCE

### Important Safety Advice:

When using electrical appliances, basic precautions should be followed to reduce the risk of fire, electric shock, and injury to persons, including the following:

If the appliance is damaged, check immediately with the supplier before installation and operation.

Do not use this heater in the immediate surroundings of a bath, shower or swimming pool.

Do not use outdoors.

This heater must not be located immediately above or below a fixed socket outlet or connection box.

Do not cover or obstruct in any way the heat outlet grille located underneath the heater. Overheating will result if the heater is accidentally covered.

In the event of a fault unplug the heater.

Unplug the heater when not required for long periods.

The supply cord must be placed on the right hand side of the heater away from the heat outlet underneath the heater.

Although this heater complies with safety standards, we do not recommend its use on deep pile carpets or on long hair type of rugs.

This appliance is not intended for use by children or other persons without assistance or supervision if their physical, sensory or mental capabilities prevent them from using it safely. Children should be supervised to ensure that they do not play with the appliance.

The appliance must be positioned so that the plug is accessible.

If the supply cord is damaged it must be replaced by the manufacturer or service agent or similarly qualified person in order to avoid a hazard.

### Electrical

#### WARNING – THIS APPLIANCE MUST BE EARTHED

This heater must be used on an AC ~ supply only and the voltage marked on the heater must correspond to the supply voltage.

Do not switch the appliance on until properly installed. Please read all the safety warnings and operating instructions.

### General

Unpack the heater carefully and retain the packaging for possible future use, in the event of moving or returning the fire to your supplier.

Contents of Carton.

- Heater.
- Wall fixing bracket.
- Fixing screws and wall plugs.
- Remote control and batteries ( 3 AAA's type).
- Spare bulb.

Do not connect the heater to an electricity supply until it is installed on a wall correctly. - see 'Installation'.

A choice of 1kW or 2kW heat output is provided by the fan heater, which is concealed underneath the unit.

The heater can be used remotely or manually. - see 'Operation'.

General features of remote control are:

- Heat output can be increased or decreased according to your particular requirements.
- The illumination of fuel effect can be increased or decreased.

Please note: Used in an environment where background noise is very low, it may be possible to hear a sound which is related to the operation of the flame effect. This is normal and should not be a cause for concern.

### Installation

Do not connect appliance until properly fixed to the wall and the instruction leaflet is read fully.

The minimum distances must be observed.

For installation of the appliance, care must be taken not to damage concealed cables.

Please be careful while drilling the holes.

This model is designed to be permanently fixed to a wall at a minimum height of 300mm.

The wall bracket must be fitted horizontally and the cable routed to the bottom right of the heater as in Fig. 1.

A height of 600mm from bottom of heater to floor is recommended for optimum viewing of fuel bed (see Fig. 2 for recommended fixing dimensions).

For optimum viewing mark the top two screw fixing positions on wall in accordance with the recommended fixing dimensions - see Fig. 2.

Fix the wall bracket using the two plugs and screws provided - see Fig. 3.

Carefully lift the heater up ensuring that the top rear ledge of heater engages the wall bracket and is sitting centrally positioned. - see Fig. 4 (b).

Rotate the bottom fixing bracket down. - see Fig. 4 (c).

Gently bring the heater level with the wall. - see Fig. 4 (d).

Mark the bottom hole position (see Fig. 5), remove the heater ensuring that the bottom fixing bracket is rotated up.

Drill and fit wall plug.

Refit the heater to the wall fixing bracket (i.e. follow steps as in Fig. 4 a, b, c and d) and rotate the bottom fixing bracket down again and use the screw provided to permanently fix the heater in place.

The heater should not be connected until the instruction leaflet is read fully.

### Manual Operation

The switches are located at the right side of the heater.

The Standby Switch (Switch S1) must be first turned 'ON' and the AUTO/MAN (Switch S2) switch set to 'MANUAL' to operate the manual controls - see Fig. 6.

Note : When the fire is put in Manual mode the first time the flame effect will come on indicated by the Bottom neon coming on for 3 seconds - see Fig. 7.

### Remote Operation

The standby switch (S1) must first be turned 'ON' and the 'AUTO/MAN' Switch turned to 'AUTO'.


Note: It takes some time for the receiver to respond to the transmitter. DO NOT PRESS the buttons more than once within two seconds for correct operation.

### Manual & Remote Operation

Setting	Operation	Setting
Flame Effect		Bottom Neon
Flame Effect & 1Kw Heat	Press the 'I' button (Switch 3)	Middle Neon
Flame Effect & 2Kw Heat	Press the 'I' button again (Switch 3)	Top Neon

To go to the previous settings press the 'O' button (Switch S3).

Pressing the 'O' button on the remote turns off the light & heat settings. To resume press the 'I' button until the desired setting is reached - see Fig. 8.

To increase or decrease the brightness of the flames, use the dimmer button (Switch S4 on the fire or the  button on the Remote Control).

You can have any setting between full brightness and the flames totally off. The heat setting will remain the same.

To turn off the power the Standby Switch (Switch S1) must be turned 'OFF'.

Note : Every time that manual mode is selected the previous light and heat settings come on automatically.

## Replacing the remote control

The new remote control must be set up as follows:

Press switch S1 to ON.

Press switch S2 to AUTO (see Fig. 6).

Press switch S3 to O for more than 3 seconds until all three LED's are on (see Fig. 7).

Press the 'I' button on the remote control.

Now the heater has learned the serial number from the remote control and will work with this remote control only (this procedure is repeatable many times).

## Lamp Replacement

**WARNING – ALWAYS DISCONNECT FROM THE POWER SUPPLY BEFORE REMOVING LAMPS.**

**Warning** - The lamps reach high temperatures during operation. For this reason, allow the lamps to cool down after switching off the appliance. The front panel will need to be removed in order to change lamps – see Fig. 9.

**Warning** - The front panel is heavy and easily damaged.

The front panel is fixed with two screws on top and is supported underneath by the chassis see Fig. 9.

Care is needed to avoid the front panel falling forward while removing the screws see Fig. 9a.

While holding the front by its sides with both hands carefully tilt forwards and then lift up and out - see Fig. 9b.

Place the front panel flat on a protective surface such as a matt with the glass facing away from the floor.

**To gain access to lamps please apply the following procedure:**

Remove two screws securing fuel effect. Holding the logs carefully lift up (1) and out (2) for SP1,2 & 3 models - see Fig. 10.

Carefully slide the flexible rotisserie (see Fig. 11a) to one side ensuring that the rubber grommet is not lost – see Fig. 11b.

Remove the defective lamp by unscrewing it (see Fig. 12).

Replace with a 60W E14 SES Clear Candle bulb, rotating it. Take care not to over-tighten the lamp.

### Steps for reassembling the heater

1. Refit the rotisserie making sure that the rubber grommet is carefully pushed into the slotted hole on the axial bracket (see Fig. 11c).
2. Refit the fuel effect ensuring that the fuel effect bracket (see Fig. 10b) on the fuel effect slots in between the fuel effect retaining bracket and the inner glass (see Fig. 10a).
3. Refit the front panel (ensuring that its base is held in place i.e. that it slots into the channel on the frame (see Fig. 10c) reversing the steps as outlined previously.

## Cleaning

**WARNING – ALWAYS DISCONNECT FROM THE POWER SUPPLY BEFORE CLEANING THE HEATER.**

For general cleaning use a soft clean duster – never use abrasive cleaners. The glass viewing screen should be cleaned carefully with a soft cloth. DO NOT use proprietary glass cleaners.

## After Sales Service

Should you require after sales service or should you need to purchase any spares, please contact the retailer from whom the appliance was purchased or contact the service number relevant to your country on the warranty card.

Please do not return a faulty product to us in the first instance as this may result in loss or damage and delay in providing you with a satisfactory service.

Please retain your receipt as proof of purchase.