

Brayford Log Stove
Springborne Coal Stove**Model: BFD20**
Model: SBN20

08/19276/0 Issue 0

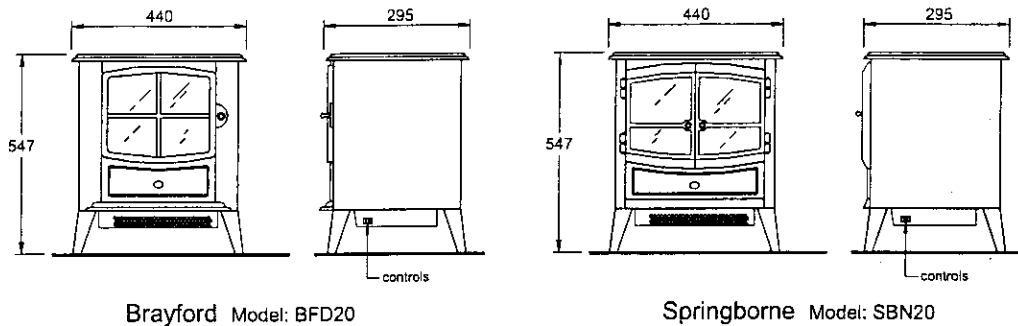


Fig. 1

IMPORTANT : THESE INSTRUCTIONS SHOULD BE READ CAREFULLY AND RETAINED FOR FUTURE REFERENCE**Important Safety Advice:**

When using electrical appliances, basic precautions should be followed to reduce the risk of fire, electric shock, and injury to persons, including the following :

- If the appliance is damaged, check immediately with the supplier before installation and operation.
- Do not use this heater in the immediate surroundings of a bath, shower or swimming pool.
- Do not use outdoors.
- This heater must not be located immediately below a fixed socket outlet or connection box.
- Do not cover or obstruct in any way the heat outlet grille located at the bottom of the heater. Overheating will result if the heater is accidentally covered.
- Ensure that furniture, curtains or other combustible materials are positioned no closer than 1 metre from the heater.
- In the event of a fault unplug the heater.
- Unplug the heater when not required for long periods.
- Keep supply cord away from the front of the heater.
- Although this heater complies with safety standards, we do not recommend its use on deep pile carpets or on long hair type of rugs.
- The appliance is not intended for use by young children or infirm persons without supervision.
- Young children or infirm persons should be supervised to ensure that they do not play with the appliance.
- The appliance must be positioned so that the plug is accessible.
- If the supply cord is damaged it must be replaced by the manufacturer or service agent or similarly qualified person in order to avoid a hazard.

General

Unpack the heater carefully and retain the packaging for possible future use, in the event of moving or returning the fire to your supplier.

This model is designed to be free standing and is normally positioned against a wall.

A choice of 1kW or 2kW heat output is provided by the fan heater, which is located at the bottom of the unit.

Before connecting the heater check that the supply voltage is the same as that stated on the heater.

On the Springborne model loose coals are packed separately within the carton. When the heater is assembled the coals can be placed on top of the fuel bed, as required.

Please note: Used in an environment where background noise is very low, it may be possible to hear a sound which is related to the operation of the flame effect. This is normal and should not be a cause for concern.

Electrical

WARNING: THIS APPLIANCE MUST BE EARTHED.

This fire is suitable for operation on an AC~ electricity supply having the same voltage as that shown on its rating label.

Before switching on, please read the safety warnings and operating instructions.

Operation

The unique flame effect may be enjoyed whether or not the heating elements are in operation.

Controls

The heater controls are located on the right hand side of the fan heater. (see Fig 1)
Three switches provide a choice of heat settings. A switch is in the ON position when the side with the markings on (i.e. I, I, or II) is pushed in.

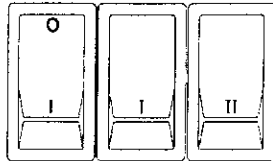


Fig. 2

Switch 1 (I) Controls the electricity supply to the heater and flame effect.
Note: This switch must be in the ON (I) position for heater to operate with or without heat.

Switch 2 (I) Provides 1kW heat output

Switch 3 (II) Provides 2kW output with switch 2

Maintenance

WARNING – BEFORE UNDERTAKING ANY MAINTENANCE OR CLEANING REMOVE PLUG OR DISCONNECT FROM THE ELECTRICITY SUPPLY.

Lamp Replacement

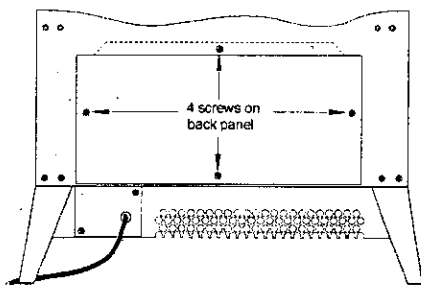


Fig. 3

Two lamps are located behind the back panel as indicated in Fig.3.

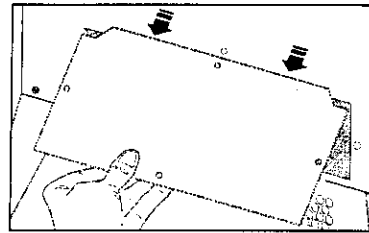


Fig. 4

To gain access to the lamps, the four screws which secure the back panel, must be removed. Remove and slide out panel as indicated on Fig. 4.

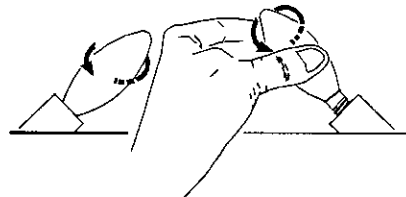


Fig. 5

Remove the defective lamp by unscrewing it as shown - see Fig. 5. Replace with a 60W E14 SES Clear Candle lamp. Take care not to over-tighten the lamp. Refit the back panel and secure with the four screws.

Safety cut-out

An automatic cut-out will switch off the heater if for any reason it overheats. This could occur for instance, if the air inlet or outlet were restricted in any way. If the cut-out operates, the heater will switch off. The heater will switch on once the obstruction has been removed and the heater has cooled. If the cut-out continues to operate intermittently, the heater should be switched off and Customer Services contacted.

Cleaning

For general cleaning use a soft clean duster – never use abrasive cleaners. The plastic viewing screen should be cleaned carefully with a soft cloth. DO NOT use proprietary glass cleaners.

After Sales Service

Please see the separate Warranty leaflet for details of your Warrantee & after sales service including contact details.

Should you require after sales service, please get in touch with the supplier through whom you purchased the appliance, or the contact number on your Warranty leaflet.



The product complies with the Australian/New Zealand Safety Standards AS/NZ S 335.2.30:1997 and also the European Standard Electromagnetic Compatibility (EMC) EN 55 014-1:1993, EN 61000-3-2:1995, EN 61000-3-3:1995, EN 55 014-2:1997 which cover the essential requirements of EEC Directive 89/336/EEC.

Specification subject to change without prior notice.

 **Dimplex**