



**GLEN DIMPLEX  
AUSTRALASIA LTD**

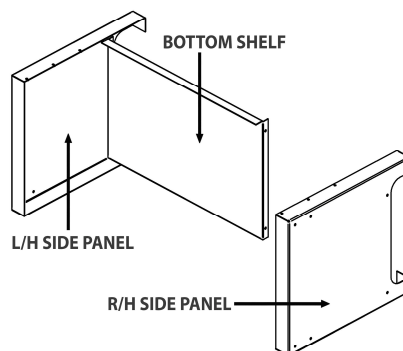
## **STAND FOR 'THE PIZZERIA 900' OVEN**

### **ASSEMBLY INSTRUCTIONS**

The stand is made from galvanized steel and is protected with an UV resistant powder coat. Treat it with care. Powder coat has different characteristics in terms of light reflection to the Very High Temperature (VHT) paint used on the oven, so, a color variation between the two has to be expected.

Place card board or cloth on a flat floor to protect the panels.

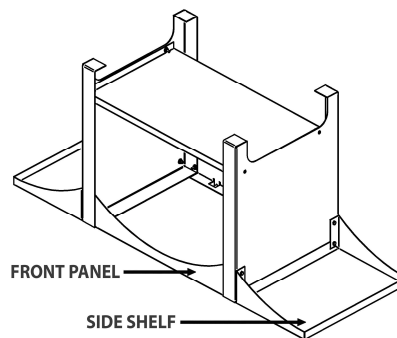
Place left hand side panel, front face down, and bottom shelf, front face down, on floor and bolt together with 2 black M8 screws, washers and nuts.



Add right hand side panel.

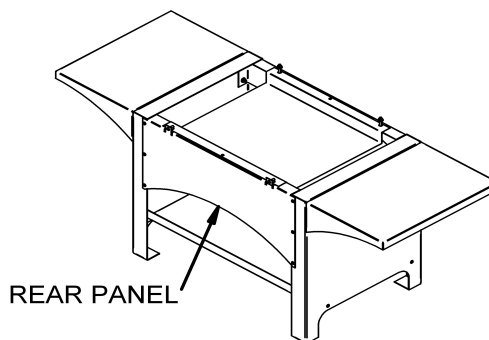
Turn assembly carefully over so that it rests on top face of panels.

Lay down the two side shelves and fit front panel. The 2/ M8 x 20 hexagon screws go through side shelf, side panel and front panel. Fit also the two screws at rear which go through side shelf and side panel.



Carefully turn assembly over, so that it rests upright on its feet. Fit rear panel with 6/ M8 black screws, washers and nuts. The rear panel should be **outside** the flanges of the side panels.

Now place heat shield into the top opening of the stand and secure it with 2/ M8 hexagon screws. Use the two holes in the middle of the panel.



Check all screws for tightness.

Place stand in desired position observing the recommended clearances to combustible materials for the oven stated in the oven manual. Ensure it is level and rests on all four legs. Shim legs if necessary.

Carefully place 'The Pizzeria 900' oven on top of the stand. It is a good idea to remove all bricks to reduce the weight of the oven. The empty oven weighs 142 kg. The doors can also be removed by removing the clips at the hinge pin. CAUTION: Wear safety glasses as the clips tend to 'jump out'. Make sure not to loose the clips. Also the sand should be filled into the oven cavity after the oven is lifted onto the stand.

Bolt units together starting with two M8 black screws at the back of the oven. They screw into fixed nuts in the oven. Then fit the two M8x40 hexagon head screws at the front. They are fitted from the bottom up through two holes into the firebox where you fit the M8 nuts. For this operation you will have to remove the bricks from the bottom of the oven to gain access. The nuts will be placed under the front lip behind the doors.

THE PLASTIC BAG WITH FASTENERS SHOULD CONTAIN THE FOLLOWING:

Instructions

12/ Black screws M8 x 20

10/ Zinc plated hexagon head screws M8 x 20

2 / Zinc plated hexagon head screws M8 x 40

22/ Nuts M8

24/ Washers diameter 8

1 / Hexagon Key 5mm

**PLEASE KEEP THESE INSTRUCTIONS FOR FUTURE REFERENCES.**

Purchased from: .....  
.....  
.....

Purchasing date: .....

Manufactured by:

GLEN DIMPLEX AUSTRALASIA LTD

PO Box 58 473, Greenmount

AUCKLAND NZ

[www.glendimplex.co.nz](http://www.glendimplex.co.nz)