

MASPORT ARCADIA MULTI FUEL HEATER

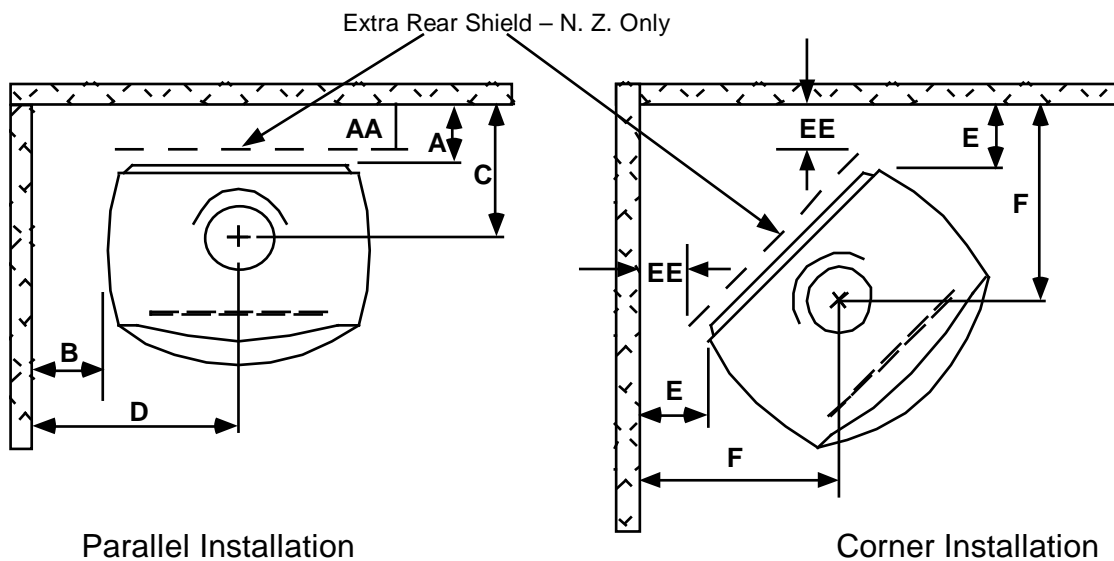
NEW ZEALAND INSTRUCTIONS FOR DOUBLE REAR HEAT SHIELD INSTALLATION

Kit Components: 1 x Heat Shield
4 x Spacers
4 x Bolts, M6 x 35.

Assembly:

1. Remove and discard the four screws retaining the existing rear heat shield.
2. Holding the existing shield in its original position, mount the extra shield behind it with the spacers between the two shields. Use the M6 x 35 bolts to fix the two shields in position. Note that the curved side of the new shield goes at the top, and that the folded edges at each side of the shield face toward the heater as shown below. The small top extension for the original rear shield (shipped unattached), does not need to be fitted.

Installation Clearances:



MINIMUM DISTANCES (mm) TO HEAT SENSITIVE WALLS WHEN TWO REAR SHIELDS AND A FLUE HEAT SHIELD ARE FITTED (NEW ZEALAND ONLY)

	AA	A	B	C	D	E	EE	F
Single rear shield	—	300	512	450	775	350	—	600
Double rear shield	90	(120)	512	270	775	(350)	280	600