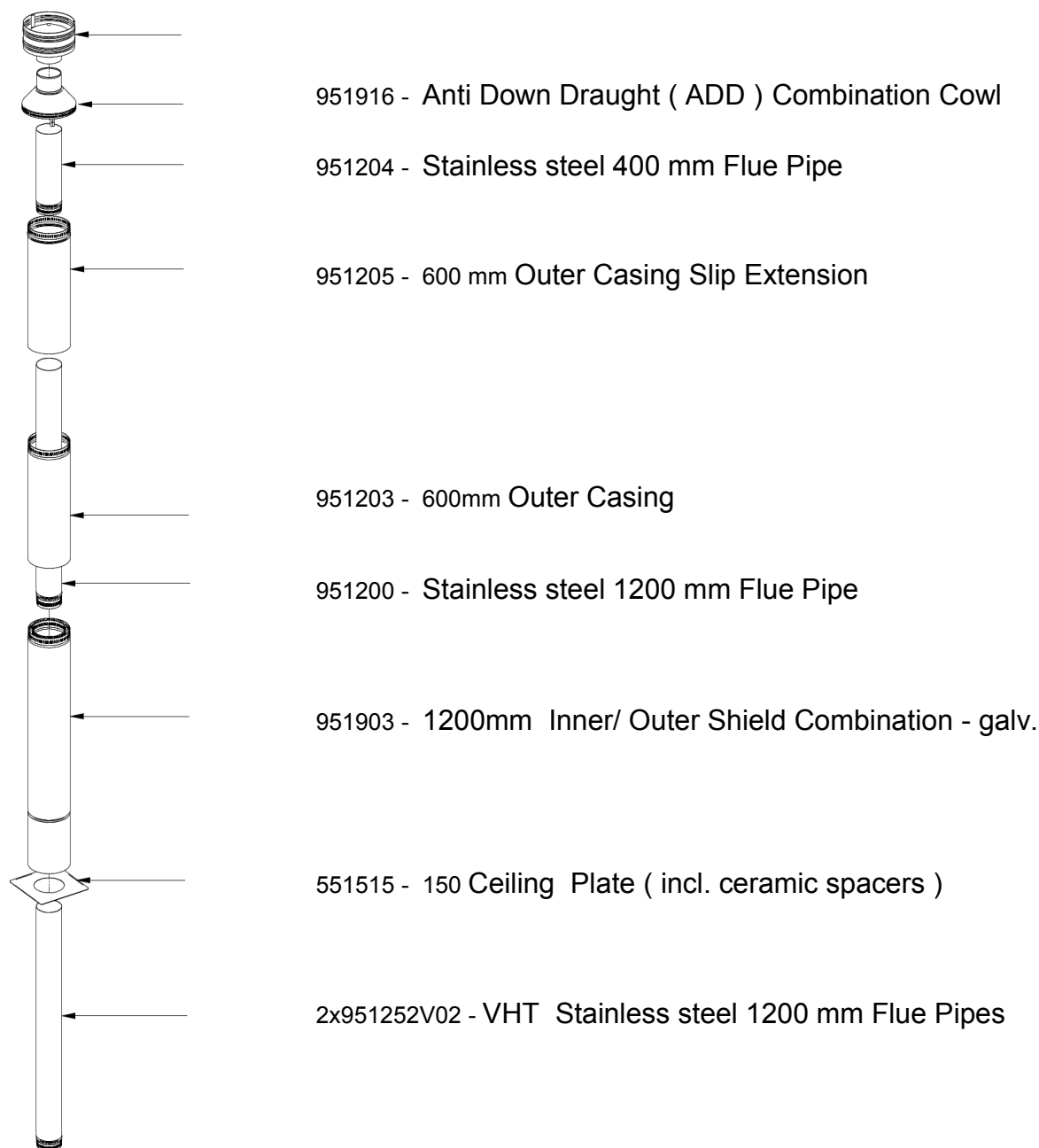


**150 mm**  
**Free Standing Wood Fire flue kit with combination Cowl**  
Complies with AS/NZS 2918:2001

## Installation Instructions





## 150mm Freestanding Wood Fire Flue Kit Installation Instructions

This flue kit has been manufactured in accordance with AS/NZS 2918:2001 and tested to Appendix 'F'. To ensure safety, this flue kit must be installed as outlined in these instructions. Heater and flue clearances from combustible walls must be in accordance with Masport's specifications and **AS/NZS 2918:2001 minimum height 4.6m above floor protector.**

**CAUTION: IT IS THE RESPONSIBILITY OF THE INSTALLER TO ENSURE THAT THE INSTALLATION OF THIS FLUE KIT COMPLIES WITH AS/NZS 2918:2001, THE APPLIANCE MANUFACTURERS SPECIFICATION FOR THE FLUE PIPE SHIELD AND CEILING PLATE AND THAT THE RELEVANT BUILDING CODES ARE ADHERED TO**

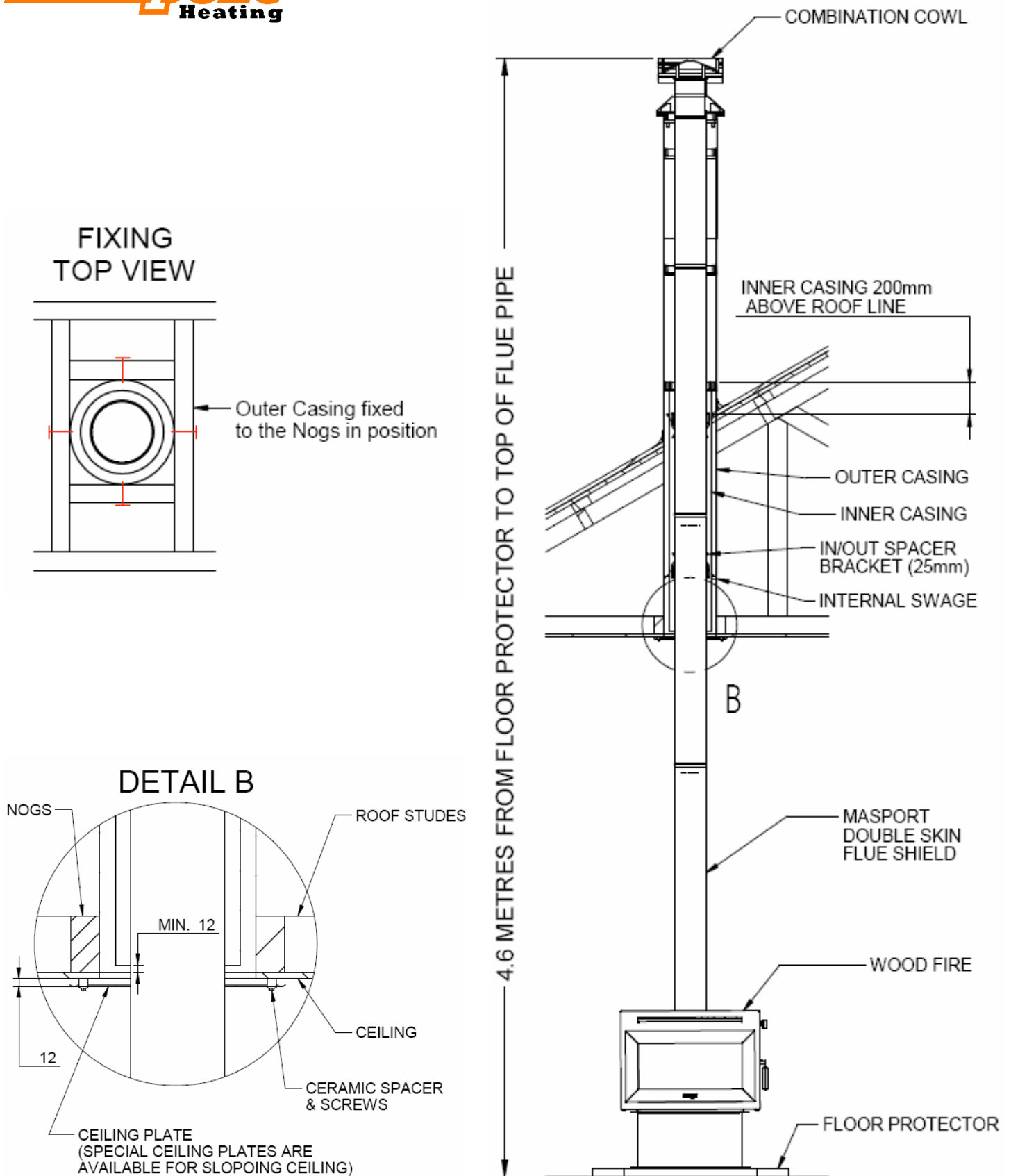
**CAUTION: MIXING FLUE SYSTEM COMPONENTS FROM DIFFERENT SOURCES OR MODIFYING THE DIMENSIONAL SPECIFICATION OF THE COMPONENTS MAY RESULT IN HAZARDOUS CONDITIONS. WHERE SUCH ACTION IS CONSIDERED, THE MANUFACTURER SHOULD BE CONSULTED IN THE FIRST INSTANCE.**

- 1) Locate heater in its proposed position and mark a point on the ceiling that is directly above the center of the heater's flue outlet. Check that the heater's location allows the OUTER HEAT SHIELD CASING to clear all structural roof timbers.
- 2) Cut a 250mm square hole in the ceiling. Directly above cut a hole in roof to accommodate OUTER HEAT SHIELD CASING
- 3) Fit timber nogs around ceiling and roof holes, i.e. Nogs form a 250mm square aperture which allows air to circulate freely over the OUTER HEAT SHIELD CASING surface.
- 4) Position the OUTER HEAT SHIELD CASING so that it is flush with the underneath of the ceiling and protrudes through the roof the required height. When calculating roof penetration height allow for extra 500mm that can be achieved by using the OUTER HEAT SHIELD SLIP EXTENSION  
**Refer to AS/NZS 2918:2001 page 37 (diagram C)**
  - A) The minimum height of the flue system within 3m distance from the highest point of the roof shall be 600mm above that point
  - B) The minimum height of a flue system further than 3m from the highest point of the roof shall be 1000mm above roof penetration.
  - C) No part of any building lies in or above a circular area described by a horizontal radius of 3m about the flue system exit

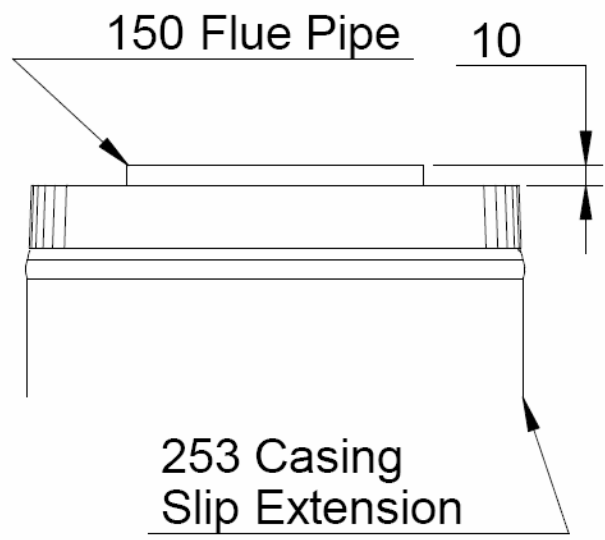
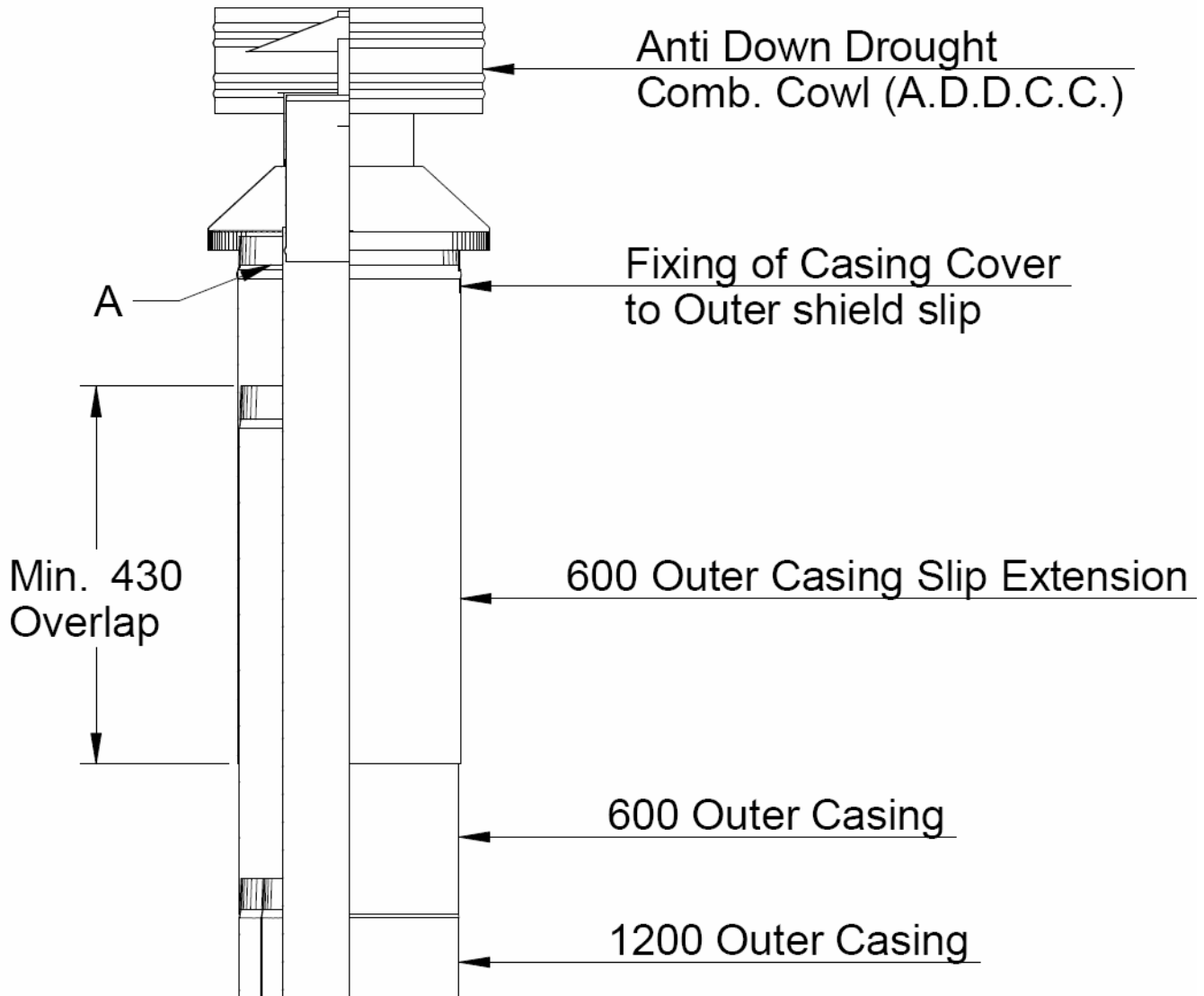
Additional OUTER HEAT SHIELD CASING and INNER SHIELD (BAFFLE) may have to be added to ensure the correct roof penetration heights are obtained. Outer Liner and Inner Baffle must be installed crimp up. **The inner shield must penetrate through roof material a minimum of 200mm.**

- 5) Fix an appropriate flashing around the OUTER HEAT SHIELD CASING to seal onto the roofing material
- 6) From the roof slide the INNER SHIELD into the OUTER HEAT SHIELD CASING until it rests 12mm above ceiling level
- 7) Assemble FLUE PIPES together ensuring seams are off-set for a neat fit. Secure each joint with 3 stainless steel rivets. FLUE PIPES must be assembled with crimped ends down (towards heater), short crimped pipes must be used into the flue spigot. **Flue must be sealed into Firebox using Maniseal**
- 8) Drill holes in the CEILING PLATE for the fixing screws. Place CEILING PLATE over heater flue spigot, ensuring the folded edge is facing the ceiling.
- 9) Install Flue pipes ensuring there is no damage to the VHT paint.
- 10) Before securing the OUTER HEAT SHIELD SLIP EXTENSION to the OUTER HEAT SHIELD with 3 rivets or self tapping screws, ensure the FLUE PIPE extends above the top of the OUTER HEAT SHIELD SLIP EXTENSION by 10.0 mm. Adjust SLIP EXTENSION to obtain this measurement. If minimum roof penetration heights described earlier cannot be achieved add sufficient stainless steel FLUE PIPE and OUTER CASINGS.
- 11) Fit CASING COVER over the FLUE PIPE and push down firmly onto TOP FLUE SPACER BRACKET. Secure with a rivet or self-tapping screw.
- 12) Fit COWL making sure of a tight fit, but do not secure, as removal for flue cleaning will be necessary
- 13) Fasten CEILING PLATE to ceiling using screws and spacers provided. Ensure an even air gap around FLUE PIPE when fixing. Remove protective plastic from CEILING PLATE
- 14) Leave all installation and operation instructions with the owner.

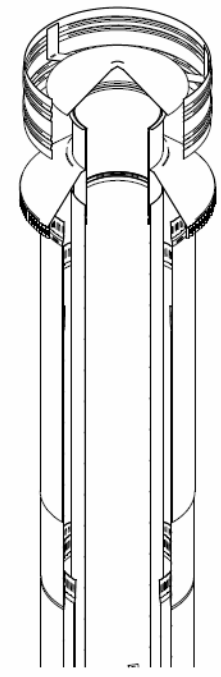
## Schematic Diagram



**Note :** Masport Free Standing Flue kit was tested in accordance with AS/NZS 2918:2001 , with 250mm outer casing in contact with combustible materials.



DETAIL A



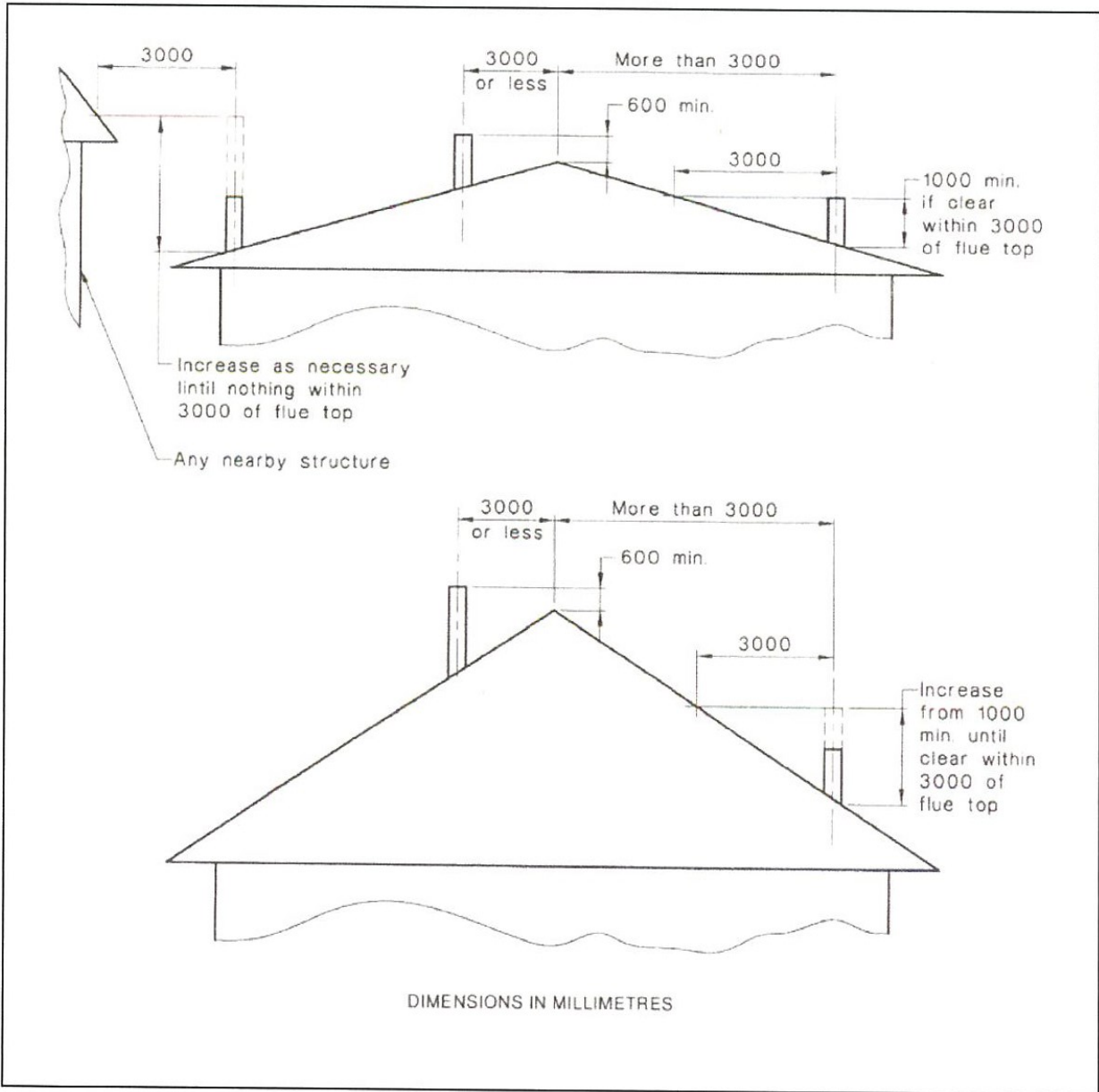
## **Stainless Steel Flue Pipe**

### **Conditions of use**

- The wood fire must be operated in accordance with the manufactures instructions, local clean air guidelines and regulations.
- The flue must be installed in accordance with GDA installation instructions, using flue components supplied by GDA. It is the responsibility of the installer to ensure no water leaks into the flue system
- The flue should not be used on a wood fire burning chemically treated, salt laden or unseasoned wood. Only use newspaper when lighting, never burn printed brochures or junk mail.
- The Flue must be swept by mechanical means only. We recommend mixed head or polypropylene brushes be used, Under No circumstances should chemical flue cleaners, soot destroyers or steel chimney brushes be used.
- The stainless flue pipe is warranted against mechanical defects for 5 years, providing the above conditions are met.
- Installation and performance are not covered under the warranty
- The paint finish appearance may change, depending on appliance operation and is designed to be a maintainable finish. To maintain the paint finish or touch up use genuine STOVEBRIGHT aerosol

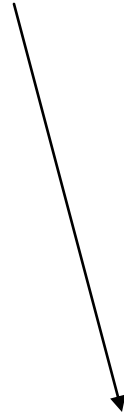
**Failure to observe these conditions may negate warranties**

**Diagram C AS/NZS 2918:2001 pg 37**





**Please attached the label “ IMPORTANT “ here  
and give the Installation Instructions  
to the Owners !!!**



Date of Installation : \_\_\_\_\_

Wood Fire Make : \_\_\_\_\_

Wood Fire Model : \_\_\_\_\_

Serial No.: \_\_\_\_\_

Installed By : \_\_\_\_\_

\_\_\_\_\_

Owners: \_\_\_\_\_

\_\_\_\_\_