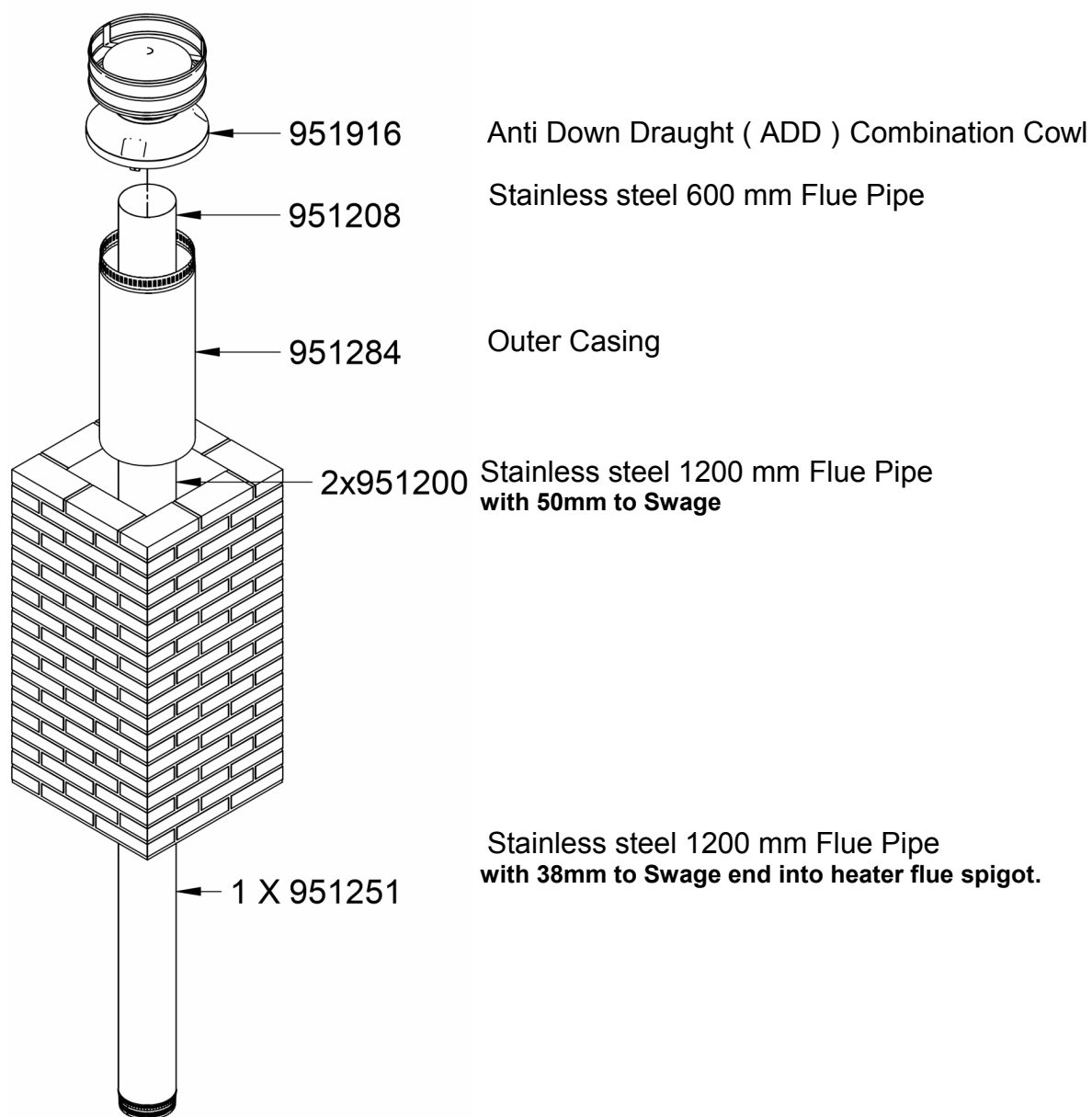


**150 mm**  
**Chimney Wood Fire flue kit—Inbuilt with Combination Cowl**  
Complies with AS/NZS 2918:2001

## Installation Instructions

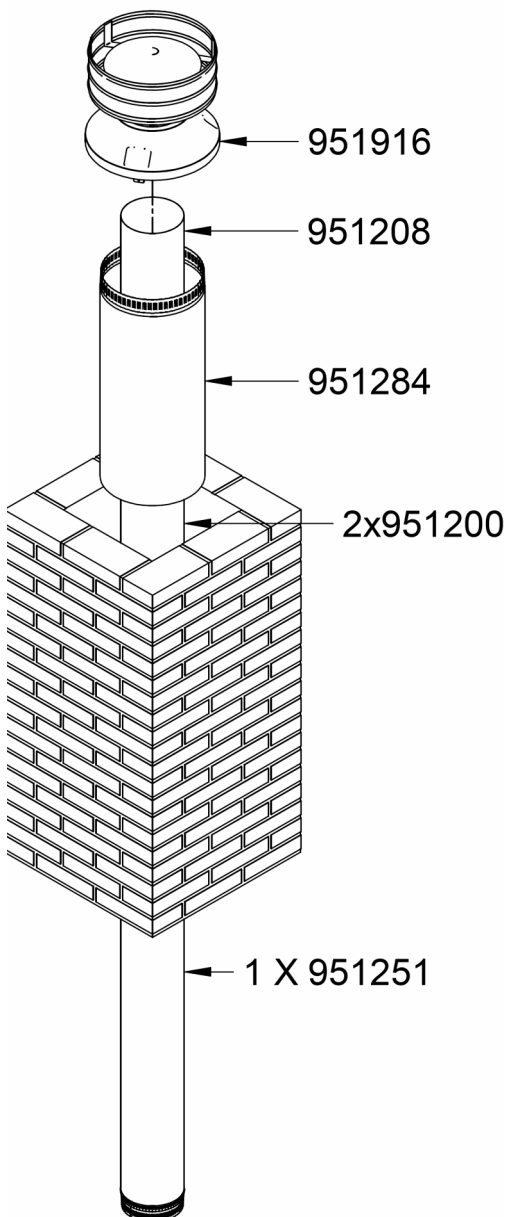
**GDFLU001M**  
**4m 150 WOOD FIRE**  
**CHIMNEY FLUE KIT**  
**951460**



## 150mm Chimney Wood Fire Flue Kit Installation Instructions

This flue kit has been manufactured in accordance with AS/NZS 2918:2001. To ensure safety this flue kit must be installed as outlined in these instructions. The appliance to which it is connected must be installed in accordance with its manufacturer specifications.

**GDFLU001M**  
**4m 150 WOOD FIRE**  
**CHIMNEY FLUE KIT**  
**951460**



1. Ensure the chimney is clean and free of soot. Check the chimney for structural soundness.
2. Install heater into fireplace according to manufacturer specifications.
3. By looking down chimney, check that heater flue outlet is in line with the chimney. If not a flue offset or bends will be required.
4. Assemble flue pipes together ensuring seams are off-set for neat fit. Joints must be compressed fully and secured with 3 rivets or self-tapping screws. **Make sure the flue pipe with 38mm to swage is used at the bottom to be inserted into firebox spigot.**
5. Lower assembled flue pipe with crimped end facing down, into heater flue spigot. Flue must be sealed into the firebox with Maniseal or similar. On some installations it may be desirable to assemble flue pipe lengths as they are lowered into the chimney. Flue pipe must be sealed into firebox with exhaust cement.
6. Secure Chimney flashing plate ( not supplied) and/or Outer Heat Shield to chimney with suitable fasteners and weather seal to the chimney top with mortar and/or silicone.
7. Check the flue pipe extends above top of Outer Heat Shield 10.0mm. Add sufficient stainless steel flue pipe or trim Outer Heat Shield to attain this measurement.
8. Push Casing cover (with spigot inside flue pipe) down onto the Outer Heat Shield. The 3 locating brackets with holes must be on the outside of the Outer Heat Shield and are secured using 3 rivets or self tapping screws.
9. Fit cowl making sure of a tight fit, but do not secure, as removal for flue cleaning will be necessary.



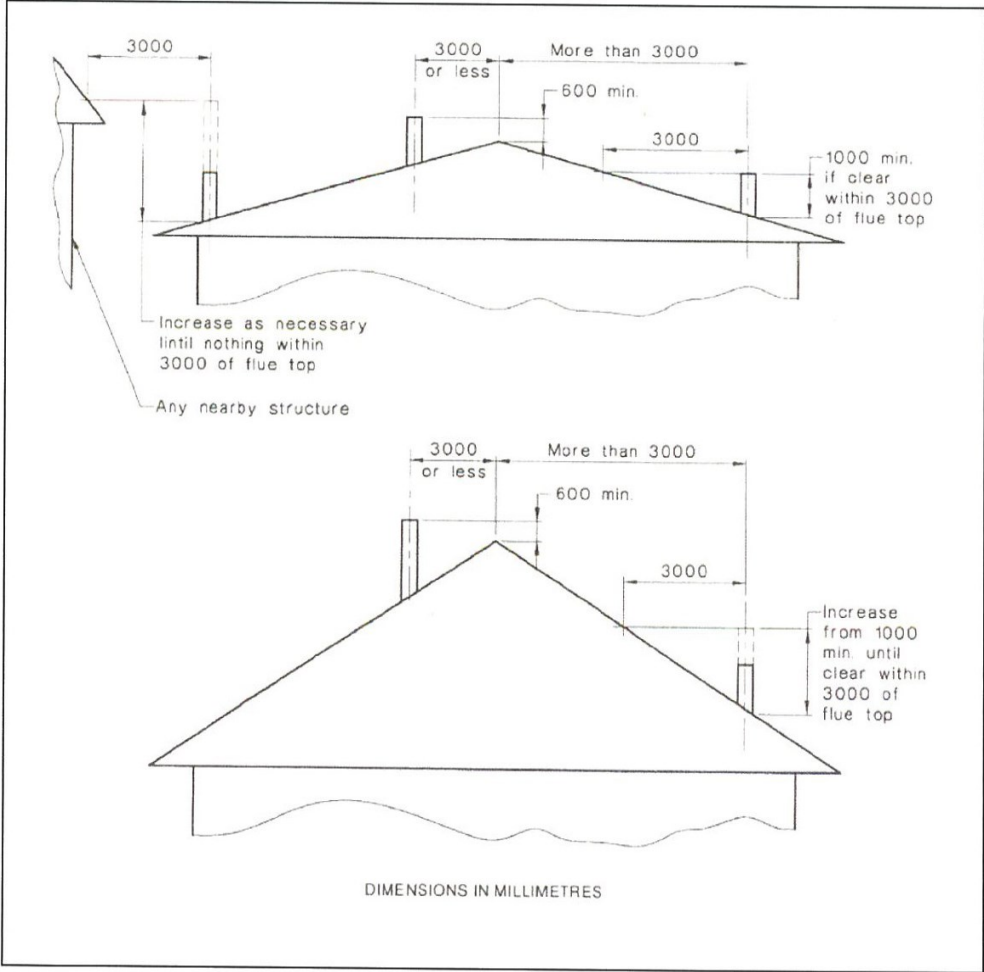
## **Stainless Steel Flue Pipe**

### **Conditions of use**

- The wood fire must be operated in accordance with the manufactures instructions, local clean air guidelines and regulations.
- The flue must be installed in accordance with GDA installation instructions, using flue components supplied by GDA. It is the responsibility of the installer to ensure no water leaks into the flue system
- The flue should not be used on a wood fire burning chemically treated, salt laden or unseasoned wood. Only use newspaper when lighting, never burn printed brochures or junk mail.
- The Flue must be swept by mechanical means only. We recommend mixed head or polypropylene brushes be used, Under No circumstances should chemical flue cleaners, soot destroyers or steel chimney brushes be used.
- The stainless flue pipe is warranted against mechanical defects for 5 years, providing the above conditions are met.
- Installation and performance are not covered under the warranty

**Failure to observe these conditions may negate warranties**

**Diagram C AS/NZS 2918:2001 pg 37**



**Please give the Installation Instructions to the Owners !!!**

Date of Installation : \_\_\_\_\_

Wood Fire Make : \_\_\_\_\_

Wood Fire Model : \_\_\_\_\_

Serial No.: \_\_\_\_\_

Installed By : \_\_\_\_\_

Owners: \_\_\_\_\_