

THE IRRESISTIBLE FLAMES OF MASPORT



Masport[®]

WOOD FIRE OWNERS MANUAL & INSTALLATION GUIDE

WARNING: Improper installation, adjustment, alteration, service or maintenance can cause injury or property damage. For assistance or additional information consult an authorised technician, or your Masport Woodfire Dealer.

FOR YOUR SAFETY: Do not store or use gasoline or other flammable vapours and liquids in the vicinity of this appliance. Installation and service must be performed by authorised personnel. Please keep these instructions for further reference.

Part No. 595151



NEW ZEALAND

1-37 Mt Wellington Highway, Panmure, Auckland 6
Ph. (09) 571 1200 fax 0508 570 570
email sales@masport.co.nz
www.masport.co.nz



AUSTRALIA

PO Box 533, Braeside, Victoria 3195
Ph. 1300 366 225 fax 1800 035 594
email sales@masport.com.au
www.masport.com.au

**THE INSTALLATION AND OPERATING INSTRUCTIONS IN THIS
MANUAL APPLY TO THE FOLLOWING WOODFIRES:-**

Free standing models:-

**MASPORT HORIZON, HORIZON/S
MASPORT LE 2000, 2000/S, 2000/W
MASPORT LE 3000, 3000/S, 3000/W (Series 2 and 3)
MASPORT LE 5000, 5000/S, 5000/W (Series 2 and 3)
MASPORT SIENA, SIENA/S
MASPORT VERONA
MASPORT GRANDVIEW
MASPORT TORONTO**

Fireplace Insert models:-

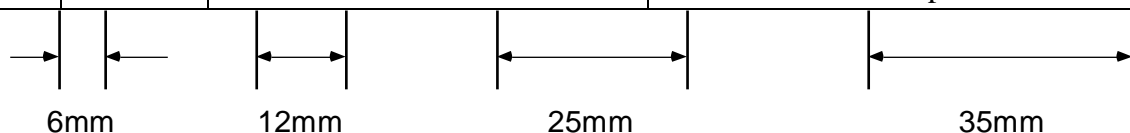
**MASPORT LE 3000 PROVINCIAL (Series 2)
MASPORT LE 3000/S PROVINCIAL (Series 2)
MASPORT LE 3000/W PROVINCIAL (Series 2)
MASPORT LE 3000 PROVINCIAL (Clean Air Zone)
MASPORT LE 7000 PROVINCIAL (Series 3)
MASPORT GRANDE PROVINCIAL**

Note: Models without a suffix have been emission tested using hardwood fuel.
Models /S have been emission tested for N.Z. without water boosters, using softwood fuel.
Models /W have been emission tested for N.Z. with water boosters, using softwood fuel.

CONTENTS OF LOOSE PARTS BAG (Freestanding models)

(Note: You may not need all these parts for your installation)

Part No.	Quantity	Description	Where Used
501682	10	M6 Hexagon Nut	4 — Pedestal front to pedestal sides 4 — Firebox to pedestal 2 — 'L' Brackets to pedestal
501703	4	M6 Flat Washer	4 — Firebox to pedestal
501815	4	M6 x 35mm Hex. Set Screw	4 — Firebox to pedestal
501959	6	M6 x 12mm Hex. Set Screw	4 — Pedestal front to pedestal sides 2 — 'L' Brackets to pedestal
503005	4	Self Threading Screw — 12mm long, zinc plated finish	4 — Heat shield to top of pedestal
503259	4	Self Threading Screw — 12mm long, black finish	4 — Pedestal rear panel to pedestal
503388	2	'C' Nut (Spire # SNU 0537)	2 — Seismic restraint bar to pedestal
503459	2	Self Threading Screw — 25mm long	2 — Seismic restraint bar to pedestal
595381	1	Installing & Operating Manual	
986413	2	'L' Bracket	2 — Sides or rear of pedestal



CONTENTS

INTRODUCTION.....	2
<u>FREE-STANDING MODELS — INSTALLATION</u>	
UNPACKING	3
ASSEMBLY	3
PEDESTAL	3
FAN	3
BOTTOM HEAT SHIELD	3
POSITIONING	4, 5
FLOOR PROTECTOR (HEARTH) REQUIREMENTS.....	5, 6
CORNER FLOOR PROTECTORS (HEARTHS).....	6
FLOOR PROTECTOR (HEARTH) CONSTRUCTION.....	7
INSTALLING THE FLUE.....	7
RECOMMENDED FLUE OPTIONS.....	7, 8
FIXING IN POSITION	8
FINAL ASSEMBLY	8
INSTALLING A WATER HEATING BOOSTER.....	9
WATER PIPE CONNECTION POSITIONS	9
<u>FIREPLACE INSERT MODELS — INSTALLATION</u>	
UNPACKING	10
INSTALLATION REQUIREMENTS	10
FIREPLACE	10
FLOOR PROTECTOR AND MANTEL-SHELF REQTS.	11
MANTEL-SHELF SHIELDING	11
FLOOR PROTECTOR CONSTRUCTION	12
INSTALLING THE FIREBOX AND FLUE	12
INTERNAL PARTS.....	12
FASCIA	12
DOOR.....	12
ASH SHELF OR LOWER GRILLE.....	12
UPPER GRILLE	12
INSTALLING A WATER HEATING BOOSTER.....	12
<u>OPERATING INSTRUCTIONS — ALL MODELS</u>	
BASIC INFORMATION.....	13
LIGHTING UP	13, 14
OPERATING HINTS	14
SAFETY	15
MAINTENANCE.....	15, 16, 17
BEFORE EACH HEATING SEASON.....	17
FAN WIRING DIAGRAMS.....	17
DIMENSIONS.....	18

**THIS BOOK CONTAINS IMPORTANT INFORMATION.
PLEASE KEEP IT IN A SAFE PLACE FOR FUTURE REFERENCE.**

INTRODUCTION

In the interests of your safety, most building regulatory Authorities in Australia and New Zealand require any woodfire installation to comply with Installation Standard AS/NZS 2918. They may also have local requirements in addition to those in the Standard so you should approach your local Building Authority before commencing installation to establish whether you will require a Permit and whether you will need to meet extra requirements. All MASPORT Woodfires have been tested to ensure that they will meet the appropriate safety Standard requirements if the instructions in this book are followed.

Woodfire models covered by this manual have been tested to demonstrate compliance with current emission requirements in Australia and New Zealand.

WE RECOMMEND THAT THE INSTALLATION OF YOUR MASPORT WOODFIRE BE CARRIED OUT BY A QUALIFIED SPECIALIST INSTALLER.

IF ANY ELECTRICAL WORK IS REQUIRED, IT MUST BE CARRIED OUT BY A LICENSED ELECTRICIAN.

ONLY THE MANUFACTURER, THE MANUFACTURER'S SERVICE AGENTS OR SIMILARLY QUALIFIED PERSONS SHOULD REMOVE THE BOTTOM GRILLE OF THE GRANDE PROVINCIAL OR THE ASH SHELF OF THE LE 7000 PROVINCIAL.

PLEASE ENSURE THAT ONLY COMPONENTS APPROVED BY MASPORT ARE USED FOR THE INSTALLATION, as substitutes may adversely affect performance and might nullify compliance with the requirements of AS/NZS 2918.

WARNING: THE APPLIANCE AND FLUE SYSTEM MUST BE INSTALLED IN ACCORDANCE WITH AS/NZS 2918 AND THE APPROPRIATE REQUIREMENTS OF THE RELEVANT BUILDING CODE OR CODES.

WARNING: APPLIANCES INSTALLED IN ACCORDANCE WITH THIS STANDARD SHALL COMPLY WITH THE REQUIREMENTS OF AS/NZS 4013 WHERE REQUIRED BY THE REGULATORY AUTHORITY, I.E. THE APPLIANCE SHALL BE IDENTIFIABLE BY A COMPLIANCE PLATE WITH THE MARKING 'TESTED TO AS/NZS 4013'. ANY MODIFICATION OF THE APPLIANCE THAT HAS NOT BEEN APPROVED IN WRITNG BY THE TESTING AUTHORITY IS CONSIDERED TO BE IN BREACH OF THE APPROVAL GRANTED FOR COMPLIANCE WITH AS/NZS 4013.

CAUTION: MIXING OF APPLIANCE OR FLUE SYSTEM COMPONENTS FROM DIFFERENT SOURCES OR MODIFYING THE DIMENSIONAL SPECIFICATION OF COMPONENTS MAY RESULT IN HAZARDOUS CONDITIONS. WHERE SUCH ACTION IS CONSIDERED, THE MANUFACTURER SHOULD BE CONSULTED IN THE FIRST INSTANCE.

CAUTION: CRACKED AND BROKEN COMPONENTS, e.g. GLASS PANELS, MAY RENDER THE INSTALLATION UNSAFE.

Additionally, for woodfires using water heating devices:-

WARNING: DO NOT CONNECT TO AN UNVENTED HOT WATER SYSTEM. INSTALL IN ACCORDANCE WITH AS 3500.4.1 OR NZS 4603 AND THE APPROPRIATE REQUIREMENTS OF THE RELEVANT BUILDING CODE OR CODES.

Some areas in New Zealand and Australia have special emission regulations and MASPORT woodfires are approved for use in those areas. Approval has been given provided that no modifications are made to the appliance.

In New Zealand areas covered by emission regulations:-

- (I) If a water heating device is permitted, it must be factory fitted or be a Masport accessory retro-fitted strictly in accordance with the instructions supplied by Masport.
- (II) Coal must not be used as a fuel.
- (III) Wood fuel must have a moisture content of less than 25%.

FREE-STANDING MODELS (See page 11 for in-built models)

UNPACKING

After removal of the shipping carton, open the door and lift it from its hinges. Do not remove the polystyrene packers above the top baffle at this stage. Do NOT discard the top baffle. Remove the pedestal components from the firebox in the case of fires requiring pedestal assembly.

Remove and discard the four bolts holding the woodfire to the shipping pallet.

Remove the woodfire from the pallet, lifting only from the lower edge of each side.

DO NOT LIFT BY THE LOWER FRONT PANEL OR THE REAR PANEL.

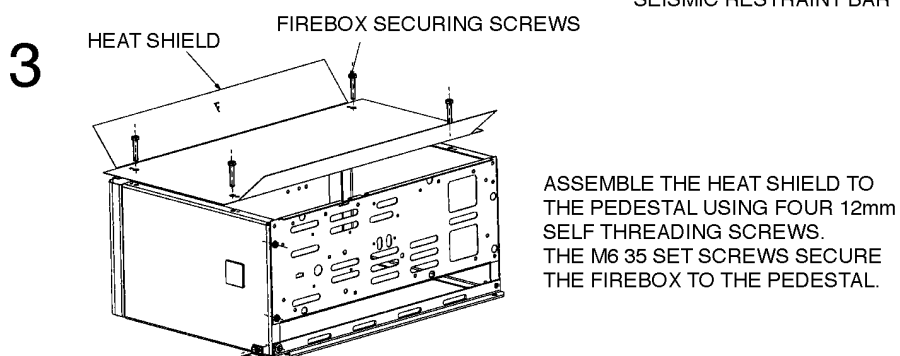
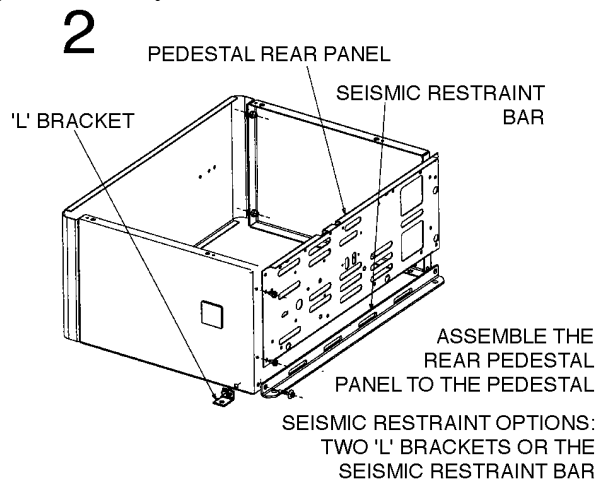
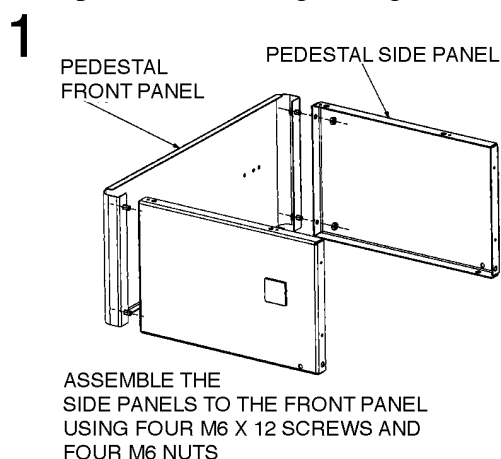
ASSEMBLY OF FREE-STANDING MODELS

The table inside the front cover of this guide will help you identify the various fastenings.

PEDESTAL. Some models are shipped with the pedestal dis-assembled. For these ones, the first step is to assemble the pedestal. Secure the two pedestal sides to the front, using four M6x12 set screws and taking care that the bottom flanges of the side panels align with the bottom flange of the front panel. The side with the square hole for the fan switch goes on the right (as viewed when looking at the front of the front panel). The top flange of the front panel will be above the top flanges of the side panels. Fit the slotted pedestal rear panel using the four black 12mm long self threading screws (sharp points).

FAN. If you intend installing a fan (available as an accessory), assemble the pedestal completely to the heater (if not already assembled). The fan is best fitted after the fire has been moved close to its final position. Then remove the rear pedestal panel and install the fan instead of the rear panel.

BOTTOM HEAT SHIELD. Using the four zinc plated 12mm long self threading screws (blunt points), screw the heat shield to the top of the pedestal assembly with the turned up ends of the heat shield facing upwards. Check that the pedestal foot and trim (if any) will fit snugly around the assembled pedestal before tightening all assembly screws fully.



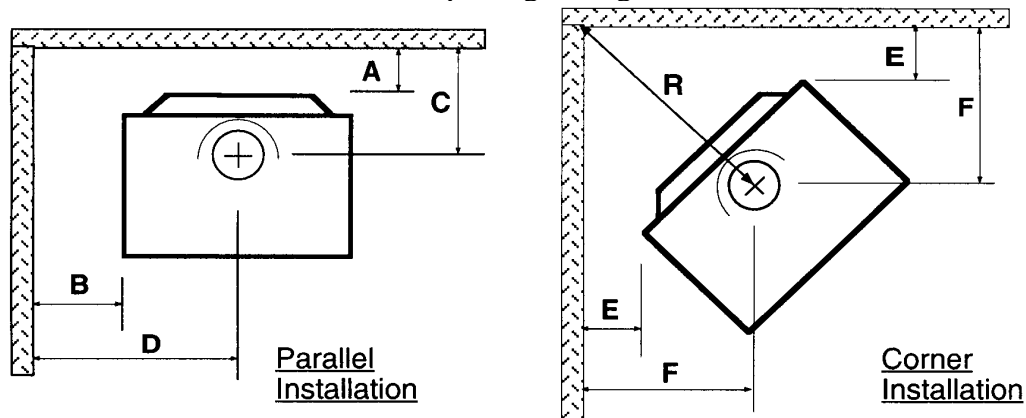
Roll the woodfire carefully onto its back, using the flattened carton to protect the floor.

Taking care that the slotted pedestal rear panel will be at the rear, attach the pedestal and heat shield assembly to the firebox using the four M6x 35 set screws, four M6 flat washers and four M6 Hexagon nuts. Place the washers on the set screws and pass the screws from inside the firebox through the holes in the pedestal. In the case of the Horizon, Siena and LE 2000, two of the screws pass through holes in the heat shield. The nuts will be inside the pedestal. Check the alignment of the pedestal before tightening the nuts firmly.

Roll your woodfire carefully back into the upright position.

POSITIONING YOUR FREE-STANDING WOODFIRE

Free-standing woodfires must not be installed in a fireplace or alcove, or under a ceiling of less than 2.3m height. No wall or other fixed object may be closer to the front of the woodfire than one metre. When fitting a water heating tube, the woodfire should be close to the water cylinder (See page 9). Determine the installation position for your woodfire only after considering the necessary clearances (See Tables below) and checking the practicability of installing the flue system. Regard heat resistant walls with heat sensitive surface treatments (e.g. wallpaper or heat sensitive paints) as heat sensitive walls. The flue shielding and the 25mm outer clearance gap above the ceiling will occupy a diameter of 300mm (Grandview and Toronto 325mm), and this space must be available without the removal of structural beams. Flue installations other than strictly vertical ones are possible. See AS/NZS 2918 for information on non-vertical flues and flues passing through walls and eaves.



NEW ZEALAND — MINIMUM DISTANCES TO HEAT SENSITIVE WALLS (mm) ‡

Model	Flue Heat Shield	A	B	C	D	E	F	R\$
Horizon & LE 2000	YES - 1200mm ¶	50 Δ	300	220	578	50	355	500
	NO	300	300	470	578	150	455	645
Siena	YES - 1200mm ¶	100	250	270	528	50	355	500
	NO	360	250	530	528	230	535	760
LE 3000 & LE 5000	YES - 1200mm ¶	75 Δ	300	300	630	50	405	575
	NO	Not Tested						
Verona	YES - 1200mm ¶	125	300	345	630	125	480	680
	NO	Not Tested						
Toronto	YES - 900mm ¶	125	400	320	730	50	425	600
	NO	475	400	670	730	300	675	955
Grandview	YES - 900mm ¶	200	350	395	730	50	458	650
	NO	450	350	645	730	250	658	930

¶ All Flue Heat Shields polished stainless steel with top heat dispersal cap.

Δ See note under minimum New Zealand floor protector dimension table (page 5).

AUSTRALIA

MINIMUM DISTANCES TO HEAT SENSITIVE WALLS (mm) ‡ WITH THE APPROPRIATE FLUE HEAT SHIELD							
Model	A	B	C	D	E	F	R\$
Horizon	150*	350	320*	628	100	405	575
LE 2000	125	325	295	603	100	405	575
Siena (with flue shield)	150◇	250	320◇	528	100	405	575
Siena (without flue shield)	360	250	530	528	230	535	760
LE 3000 and LE5000	150*	325	375*	655	125	480	680
Verona	250†	300	470†	630	125	480	680
Toronto	125	350	320	680	100	475	675
Grandview	150	350	345	730	100	508	720

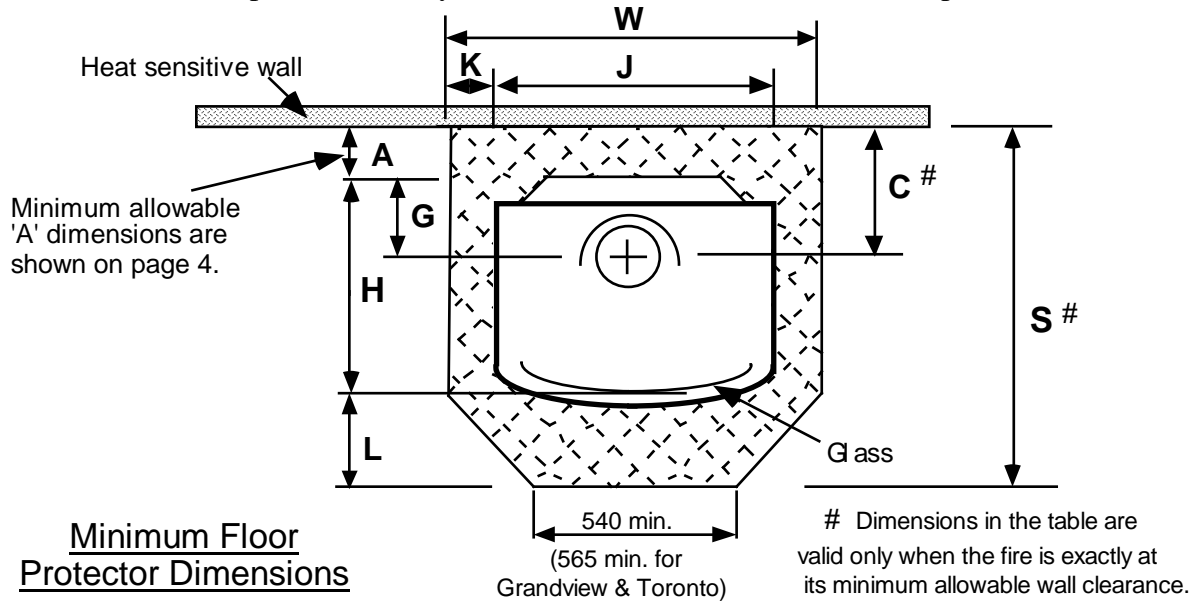
‡, \$, *, ◇, † — See next page.

- * May be reduced by 25mm if a polished stainless steel flue shield is fitted instead of an enamelled one.
- ◇ May be reduced by 50mm if a polished stainless steel flue shield is fitted instead of an enamelled one.
- ‡ May be reduced by 125mm if a polished stainless steel flue shield is fitted instead of an enamelled one.
- § Valid only when the room walls are at 90° to each other.
- ‡ Note: Clearances are for fire hazard only. For durability of finishes or surfaces you should contact the relevant manufacturer for their specification. Masport accepts no responsibility for the deterioration of surfaces or finishes.

See INSTALLING THE FLUE for recommended Australian flue systems.

FLOOR PROTECTOR (Hearth) REQUIREMENTS — Free - standing models

Unless your woodfire will be standing on an un-covered fireproof floor (containing no combustible material) extending at least 500mm from the appliance, it will be necessary to provide a floor protector (hearth). See page 7 for construction details. Where the minimum size requirements bring the side of the floor protector nearly to a wall, it is advisable to extend the protector to meet the wall.



NEW ZEALAND	A #		C #		G	H	J	K	L	W	S #		Ash Floor Prot. ∅	Insul Floor Prot. ∅
	Flue Shield		Flue Shield								Flue Shield			
	YES	NO	YES	NO							YES	NO		
Horizon, LE 2000	50 Δ	300	220	470	170	435	555	160	300	875	785	1035	Yes	Yes
Siena	100	360	270	530	170	490	555	160	300	875	890	1150	Yes	Yes
LE 3000	75 Δ	–	300	–	225	490	660	138	420¥	935	985¥	–	No	Yes
LE 3000 with ash shelf	75 Δ	–	300	–	225	490	660	138	300	935	865	–	Yes	Yes
LE 5000	75 Δ	–	300	–	225	490	660	138	300	935	865	–	Yes	Yes
Verona	125	–	345	–	220	560	660	140	300	940	985	–	Yes	Yes
Toronto	125	475	320	670	195	540	660	153	300	965	965	1315	Yes	Yes
Grandview	200	450	395	645	195	610	760	103	520¥	965	1330 ¥	1580 ¥	No	Yes

¥ Increase by 80 mm if the floor protector top is not at least 50 mm above the floor.

∅ See page 7 for minimum constructional requirements.

Valid only when the fire is exactly at its minimum allowable wall clearance.

Δ NOTE: Where a fan is being fitted, you may prefer to increase the 'A' dimension to 100 mm to provide easier access for servicing. If so, the amount you add to 'A' to bring it to 100 mm must also be added to the 'C' and 'S' dimensions.

AUSTRALIA	A #	C#	G	H	J	K	L	W	S #
Horizon (with flue shield)	150*	320*	170	435	555	160	300	875	885*
LE 2000 (with flue shield)	125	295	170	435	555	160	300	875	860
Siena (with flue shield)	150◇	320◇	170	490	555	160	300	875	940◇
Siena (without flue shield)	360	530	170	490	555	160	300	875	1150
LE 3000 & LE 5000 (with fl. shld)	150*	375*	225	490	660	138	350	935	990*
Verona (with flue shield)	250†	470†	220	560	660	140	300	940	1110†
Toronto (with flue shield)	125	320	195	540	660	153	300	965	965
Grandview (with flue shield)	150	345	195	610	760	103	300	965	1060

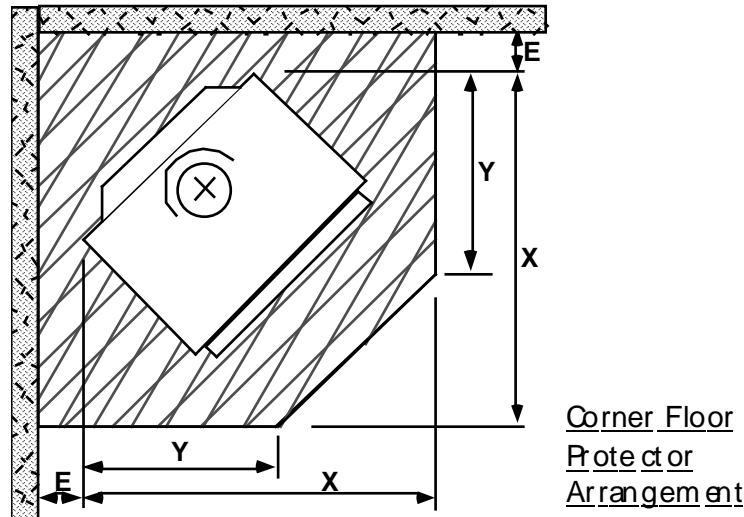
* Reduce by 25mm for a polished stainless steel heat shield instead of an enamelled one.

◇ Reduce by 50mm for a polished stainless steel heat shield instead of an enamelled one.

† Reduce by 125mm for a polished stainless steel heat shield instead of an enamelled one.

CORNER FLOOR PROTECTORS (Hearths)

While the information in the previous section details the MINIMUM size of floor protector necessary to comply with the Safety Standards, it may often be desirable to use a somewhat larger size for aesthetic reasons. A particular example is when the woodfire is installed diagonally in a corner. It will be more practical to carry the protector right into the corner and shape it as shown. The chart facilitates calculation of the MINIMUM dimensions required for floor protectors of this shape. Minimum allowable values for dimension 'E' are given in the tables on page 4.



MINIMUM DIMENSIONS — mm		AUSTRALIA		NEW ZEALAND	
See pages 6, 8 for construction.		X	Y	X	Y
Horizon, LE 2000	With Shelf	880	560	880	565
	Without Shelf	880	560	—	—
Siena		880	600	880	600
LE3000	With Shelf	980	605	950	570
	Without Shelf	980	605	1035	650†
LE 5000	With Shelf	980	605	950	570
	Without Shelf	980	605	—	—
Verona		970	655	970	655
Toronto	With Shelf	—	—	1015	640
	Without Shelf	1025	625	—	—
Grandview		1100	725	1250	890†

Your measurement 'E' must be added to 'X' and 'Y' to find the appropriate minimum overall floor protector dimensions. See page 4 for minimum values of 'E'.

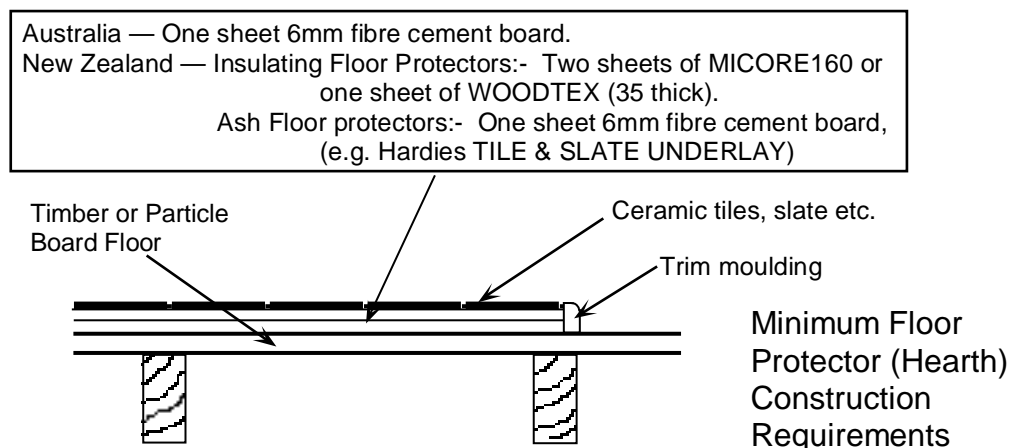
† Increase 'Y' by 120mm if the floor protector top is not at least 50mm above the floor.

FLOOR PROTECTOR (Hearth) CONSTRUCTION

In Australia the minimum floor protection requirement is a sheet of 6mm fibre cement board. It is usually fastened directly to the floor.

In New Zealand, some woodfires must have an insulating floor protector. (See page 5). All other current models may be installed on an ash type floor protector. Of course, all models may be installed on insulating floor protectors if desired. The necessary minimum construction details for ash and insulating floor protectors are shown below, and such constructions are suitable for use on solid timber or particle board floors. Bricks or concrete in contact with the flooring material do NOT provide the required insulation. If the floor within 500mm of the appliance is concrete and has no combustible material in contact with it, a floor protector is not required. In this case, if tiles or pieces of slate etc. are required for decorative purposes, they may be fixed directly to the concrete floor.

In both countries, the protector must extend right under the woodfire and a durable top surface will be needed to resist damage from heat or dropped embers. Obvious surface materials are slate, bricks and ceramic tiles. Any gaps in the top surfacing material must be grouted to prevent the penetration of embers. A trim moulding will provide a neat edge finish.



INSTALLING THE FLUE

You MUST use a flue system which complies with the current installation Standard AS/NZS 2918.

Full instructions are supplied with the flue kit, and these must be followed closely, including the minimum flue exit height from the top of the floor protector and the minimum exit height above the roof line or roof ridge as illustrated in the instructions. Always seal the flue to the flue socket of the firebox using firebox cement or fibreglass rope.

Only flue systems tested with your particular model are approved for use at the tabled clearances.

TESTED AUSTRALIAN 150mm FLUE OPTIONS:- (For all models except Toronto and Grandview)

Acorn Metal - Special Insulated Flue Kit with 900mm 120° polished reflector.

Benja Pty Ltd - Benja Mk II with 900mm decorative heat shield with 120° solid back. (Not tested on Verona)

Floate Metal - Flomet Super Single with full length decorative heat shield with 120° solid back.

Shamic Sheetmetal - Model 1A with full length decorative heat shield with 180° solid back. (Not tested on Verona)

Statewide Heating - Model M1 with 900mm half-round enamelled flue shield.

Woodland Fireplaces - Woodland Double Flue System with flat ceiling plate and 900mm 180° stainless steel heat shield. For LE3000 Series 2, LE 5000 Series 2, and Verona only.

TESTED AUSTRALIAN 178mm (7") FLUE OPTIONS:- (For Toronto and Grandview models)

Acorn Metal - Special Insulated Flue Kit with 900mm long half-round enamelled mild steel or polished stainless steel flue shield.

Floate Metal - Flomet 7" Super Single flue system with full length perforated decorative heat shield with 120° solid back. The ceiling plate has a 200mm diameter collar extending down 100mm surrounding the decorative shield.

Statewide Heating - Standard 7" Flue Kit with 900mm long half round polished stainless steel flue shield. (Not tested with Toronto)

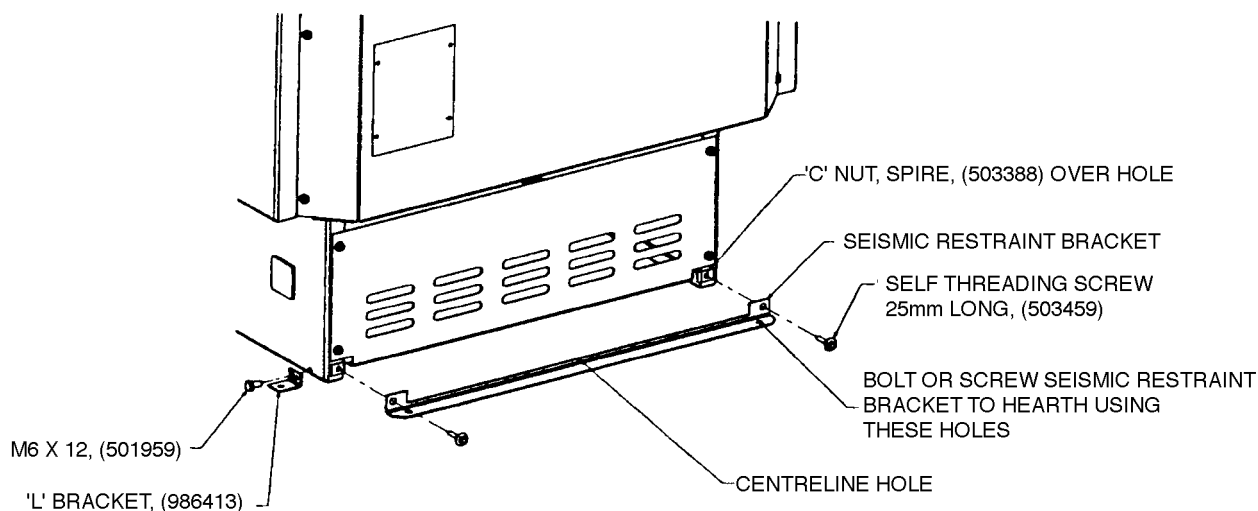
TESTED NEW ZEALAND FLUES:- In New Zealand we recommend the use of genuine Masport flue kits or kits approved by Masport. The flue **MUST** be installed in accordance with the detailed instructions accompanying it. Grandview & Toronto ceiling plates must be at least 450mm square. A flue heat shield (including a top dispersal cap), as detailed on page 4, must be fitted at the back of the flue (directly above the stove) to achieve the reduced wall clearances shown in the table. The Masport flue heat shield kit for 150mm flues is Part No 551481, while the kit for 178mm flues is Part No 551793. Kits include mounting brackets and heat dispersal caps.

OTHER FLUE SYSTEMS

Flues and flue heat shields other than those listed above may be used, but if they have not been tested with these heaters, their installation clearances will be those specified in AS/NZS 2918:2001 for untested flue installations. Unless otherwise specified on page 4, all heat sensitive wall material must be kept at least 600mm away from any flue which is not fitted with a flue heat shield.

FIXING THE WOODFIRE IN POSITION

Once the flue shielding system has been installed through the ceiling and roof, the woodfire can be placed in its approximate position on the floor protector, and the flue pipes installed. Finally adjust the stove position making sure the flue is vertical and that the necessary minimum woodfire-to-wall distances are being achieved. In New Zealand and some parts of Australia, Standards require that the woodfire and floor protector be secured to prevent shifting in the event of an earthquake. This is best done by fastening the woodfire right through the protector to the floor, using two screws not less than 12 gauge, or the equivalent size of coach bolts or toggle fasteners. Anchor the appliance through the holes in the seismic restraint bracket at the rear of the pedestal or in the two angle brackets supplied. The angle brackets attach at each side of the pedestal (except for some of the smaller models, where they attach at the rear). The pedestal can be fastened to the seismic restraint bracket either before or after fitting the anchor screws. The small centreline hole in the bracket will help in pre-positioning it.



FINAL ASSEMBLY

Before using the woodfire, confirm that the internal firebox components are in their correct positions. (See 'FIREBOX LINERS' in the Maintenance section).

Reach down through the flue spigot and carefully remove the polystyrene packing above the firebox top baffle, remembering that the baffle can be broken by rough handling. Make sure that the baffle is correctly placed on top of the supporting shelves at each side of the firebox, and that it is back far enough for the two front corners to drop behind the retaining ribs on top of the shelves. On some models, a metal reinforcing channel is provided for the baffle. Fit this along the edge of the baffle nearest the door.

If you need to remove the top baffle, first withdraw the secondary air tube following the instructions in the Maintenance section.

In cases where a pedestal foot is to be fitted, simply fit the trim into the foot and slide the assembly onto the pedestal, keeping the foot in contact with the Floor protector all the time to avoid marking the finish on the sides of the pedestal.

Finally, spread the sand provided evenly over the bottom of the firebox and refit the door, if necessary, before lighting the first fire.

INSTALLING A WATER HEATING BOOSTER

Water heating booster tubes can be fitted to some woodfires installed in New Zealand in areas other than the Christchurch and Canterbury clean air zones. Booster tubes are not available in Australia. Fitting a water booster tube converts an /S model into a /W type. If a tube is retro-fitted, in some cases the air metering plate must be changed to ensure that emission requirements are still met. Only the models listed in the table below may be installed in the 'clean air' zones, and in some cases other components will be required in addition to the water tube. (See the table below). The air metering plate is fitted directly behind the sliding plate that controls the stove heat output, and it can be reached by removing the air control knob (remove the screw underneath), and lifting off the air grille.

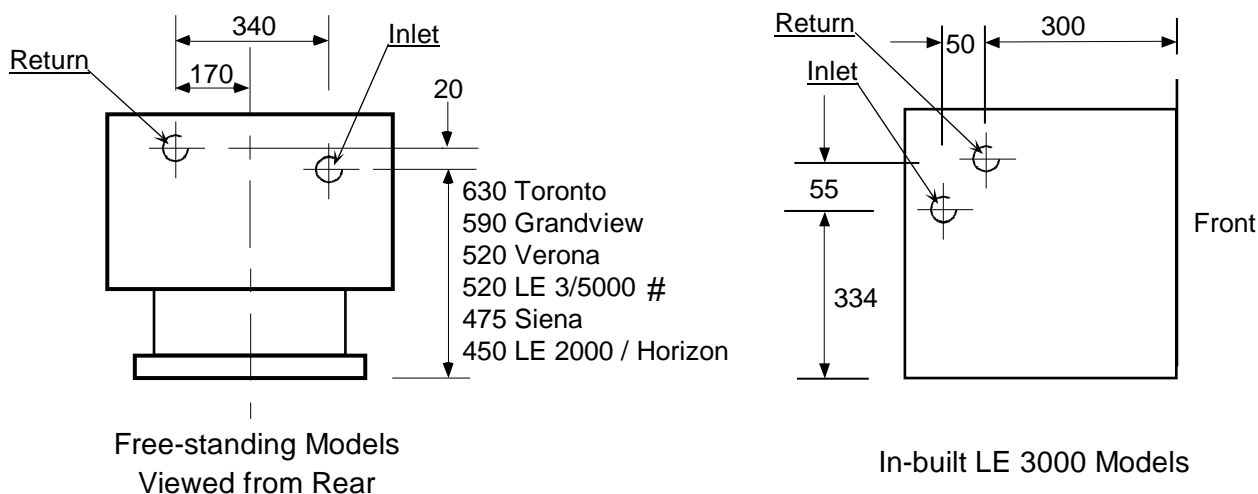
Water booster tube holes are provided and plugged in the back wall of the free-standing firebox and the side walls of the in-built model. All plumbing work must meet the requirements of NZS 4603 unless local building regulations dictate otherwise. Pipe connections are 1" BSP and the pipe positions are illustrated below. Special piping methods must be followed to ensure effective circulation, and the hot water cylinder will need to have an internal riser pipe to two thirds of the cylinder height to discourage unwanted water circulation when the woodfire is not burning. This internal riser pipe must be connected to the return pipe from the woodfire.

THE SYSTEM MUST BE VENTED. See the warning on page 2.

For effective circulation, the pipes from the woodfire should rise at the rate of one in five toward the storage cylinder, and ideally the cylinder should be within three metres of the woodfire. Detailed piping instructions are included in the conversion kit, but two safety requirements deserve special emphasis.

THERE MUST BE NO NON-RETURN OR SHUT-OFF VALVES IN THE PIPES BETWEEN THE WOODFIRE AND THE STORAGE CYLINDER.

A WOODFIRE FITTED WITH A WATER HEATING BOOSTER MUST NOT BE FIRED UNLESS IT IS CONNECTED TO A VENTED STORAGE CYLINDER FILLED WITH WATER FREE TO CIRCULATE.



Water Pipe Connection Positions

CAUTION: This dimension has recently been increased. Always check all the pipe positions on your heater before installing the pipework.

FIREPLACE INSERT MODELS (See page 3 for free-standing models)

NOTE. The following instructions cover the installation of any Provincial heater into a sound masonry fireplace with an integral masonry chimney. Where such a chimney is not available, the heater can be installed into a timber framed structure provided that it is mounted in a special 'built in' (or 'zero clearance') metal shielding box. Built-in (zero clearance) installation kits and the special flue components necessary are available from your Masport Dealer. Full assembly instructions are included in the kit.

All Provincial models (Australian and New Zealand), can be fitted with air circulating fans. These are mounted inside the ash shelf (below the firebox door) in the case of LE 3000 and LE 7000 models. The Grande Provincial fan is mounted below the firebox at the rear of the steel shielding box. (Fans are not permitted in Provincial fires installed in the Clean Air Zones of Christchurch and Canterbury).

Fascia extending kits are available for the LE 3000 Provincial models to extend the fascia size from 660 high by 810 wide to 700 high by 900 wide to suit larger than normal fireplace openings. [Part No 986580 (black)].

UNPACKING

After removal of the shipping carton from the assembled heater, remove any shipping restraints, remove the retaining screw under the control knob and pull it off. Lift the top grille clear. **To avoid the risk of electric shock or contact with moving parts, only the manufacturer, the manufacturer's service agents or similarly qualified persons should remove the bottom grille of the Grande Provincial or the ash shelf of the LE 7000 Provincial.** To release the bottom grille or ash shelf, it will be necessary on some models to turn the retaining screw(s) underneath it anticlockwise one quarter of a turn. Swing the bottom away from the heater and lift clear. Remove six screws holding the fascia and lift it clear, paying particular attention to the exact positioning of any electrical wiring connections so that they can be re-assembled correctly later.

Keeping the fire upright, release it from the shipping pallet by unscrewing the shipping bolts.

INSTALLATION REQUIREMENTS

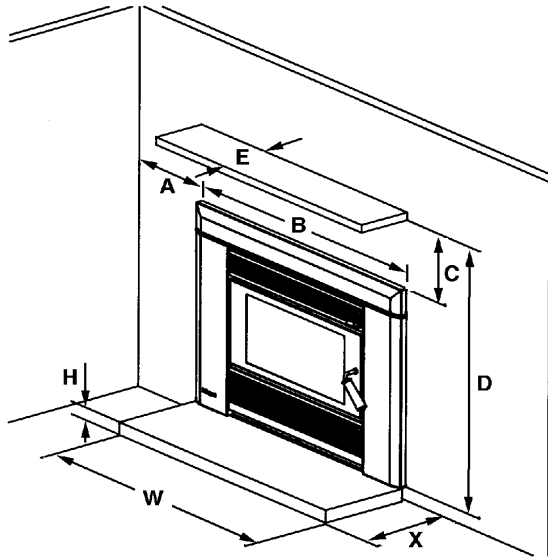
Please read the INTRODUCTION on page 2, as this applies also to in-built models.

FIREPLACE

For a safe installation the following matters must be attended to.

- The masonry fireplace and chimney must be thoroughly cleaned and checked for soundness.
- The chimney must not connect to a second fireplace.
- The joint between the chimney face and the fireplace surround must be checked and sealed to prevent leakage if necessary.
- Heat sensitive materials on the wall each side of the fireplace recess must not be closer to the recess centreline than 595 mm for the LE 3000 Provincial, 615 mm for the LE 7000 Provincial and 660 mm for the Grande Provincial. Above the recess, such materials must not be closer to the recess base than 1235 mm (all models), but this figure may be reduced to the 'D' dimension (see the Table on page 11) corresponding to the intended mantelshelf width or to the 'D' dimension for the smallest shelf width if no shelf is to be fitted.
- In New Zealand, the LE 3000 Provincial can be installed in a masonry fireplace even though the fireplace has not been constructed to meet the timber-to-masonry separation requirements specified in the Building Code and even though timber is in contact with the outside of the masonry. Where New Zealand fireplaces can be shown to comply with those separation requirements, the LE 7000 and Grande Provincial models can be installed. As noted above, all models can be installed in a timber framed enclosure fitted with a specially designed metal shielding box. In Australia, all models may be installed in any sound masonry fireplace equipped with a sound masonry chimney. Further, they may be installed in a masonry enclosure by following the requirements detailed in AS/NZS 2918. Again, they may also be installed in a timber framed enclosure fitted with a shielding box as mentioned above.
- A flue pipe must be fitted right up the chimney, and the space between the flue pipe and chimney must be ventilated at the top. The area of this vent must be not less than 10,000mm². The vent must be fitted with means to prevent significant ingress of water and debris. The flue must be free to move up and down at the top as it expands and contracts with temperature changes. This movement can be 25mm or more.

FLOOR PROTECTOR AND MANTEL-SHELF REQUIREMENTS



«

NOTE: Where a floor protector is shown as having zero height, its dimensions define the limits to which a heat sensitive floor covering may extend toward the heater. Since the floor within these boundaries will have no protective insulation, it will need to be heat resistant (e.g. concrete with no timber in contact).

MINIMUM FLOOR PROTECTOR SIZES (mm)

NZ LE 3000 Provincial

H	60 or more	50	25	Zero «
X to surround	300	325	400	450
X to glass	330	355	430	480
W	935			

Australia LE 3000 Provincial

H	Any height
X to surround	375
X to glass	405
W	935

NZ and Aust LE 7000 Provincial

H	47 or more	44	37.5	25	Zero «
X to surround	330	336	349	373	430
X to glass	300	306	319	343	400
W	935				

NZ and Aust. Grande Provincial

H	94 or more	75	50	44	25	Zero «
X to surround	335	373	418	429	466	500
X to glass	300	338	383	394	431	465
W	965					

MANTEL-SHELF DIMENSIONS and SIDE WALL CLEARANCES (mm)

	A minimum	B	C minimum	D minimum	E maximum
NZ LE 3000 Provincial	225	810	295	955	75
			565	1225	250
Australia LE 3000 Provincial	225	810	565	1225	250
NZ and Aust. LE 7000 Provincial	180	1000	260	980	150
			590	1310	250
NZ and Aust. Grande Provincial	185	1095	290	1080	150
			590	1380	250

MANTEL-SHELF SHIELDING

Mantel-shelves wider or lower than those specified above can be used provided that they are fitted with metal heat shields below them. We recommend a sheet metal shield fixed 20mm below the undersurface of the shelf on non-combustible spacers. The shield must abut the wall beneath the mantelshelf and protect the entire depth of the under-surface of the shelf. It must extend outwards at least 200mm from each side of the appliance or to the ends of the shelf if this is a shorter distance. The 20mm air space under the shelf must be open at the ends and front to allow free circulation.

FLOOR PROTECTOR CONSTRUCTION

Where the original masonry floor protector in front of the fireplace is not large enough, the extension must be securely fixed to the floor, and the joint between the extension and the original masonry must be sealed to prevent entry of ash or embers. The extension should consist of a 6mm layer of fibre cement such as Hardies Tile and Slate Underlay, topped with decorative tiles or slate. Additionally, in New Zealand there should be one layer of Micore 160 beneath the fibre cement sheet. A decorative trim can be fitted around the edges to tidy up the construction.

INSTALLING THE FIREBOX AND FLUE

The flue recommended for use in Australia is a stainless steel chimney kit such as the Shamic #4. In New Zealand, we recommend the use of the Masport Provincial flue kit.

Measure the fireplace recess and remove bricks as necessary to accept the firebox outer case which is 560mm high, 590mm wide and 460mm deep for the LE 3000 models. The LE 7000 case is 595mm high, 630mm wide and 485 deep, while the Grande Provincial is 670mm high, 720mm wide and 485mm deep. Clear away any rubble and inspect and seal the chimney and fireplace as detailed under INSTALLATION REQUIREMENTS.

Remove the polystyrene packing from above the baffle taking care not to damage the baffle.

Check the distance back from the face of the surround to the centre of chimney to determine whether the flue will mate with the flue socket in the stove without requiring an offset. If an offset is needed, fix it to the lower end of the assembled flue sections in the chimney and lift the flue assembly up while the firebox case is pushed back into the recess. Verify that the case will be fully supported in a level position when installed. Slide the case in and adjust its position so that its flange is in line with the face of the surround. (If a fascia extending kit is being used on the LE 3000, the flange should be 10mm forward from the surround face).

Where seismic restraint is necessary, screw the case to the base of the fireplace recess with at least two 12 gauge screws through the holes in the bottom panel of the firebox outer case.

If space above the case for positioning and fixing the flue is limited, access can be provided by sliding out the top front section of the case. Alternatively, the top baffle inside the firebox may be removed for access purposes. Removal is described in the MAINTENANCE section under FIREBOX TOP BAFFLE. The flue can then be lowered into position.

Seal the flue at the firebox spigot using fire cement or fibreglass rope. Secure the flue to the spigot. Re-fit the sliding panel with the insulating blanket on top of the LE 3000 in New Zealand. Do not forget to replace the baffle and secondary air tube if they have been removed.

Instructions for fixing and weather-proofing the top end of the flue are supplied with the flue kit.

INTERNAL PARTS

Check for correct positioning. See 'FIREBOX LINERS' in the Maintenance section.

FASCIA

Re-assemble the fascia to the firebox case, fitting the wiring exactly as shown on page 17.

DOOR

Hook the bottom pivot over the lower end of the hinge pin and lift the door up until the top pivot drops over the top end of the hinge pin.

ASH SHELF OR LOWER GRILLE

To avoid the risk of electric shock or contact with moving parts, only the manufacturer, the manufacturer's service agents or similarly qualified persons should remove the bottom grille of the Grande Provincial or the ash shelf of the LE 7000 Provincial. To fit the grille or shelf, hang it on the posts at the bottom of the fascia, taking care to feed the mains flex for the fan through the fascia side panel as the shelf is lowered into position. Hook the top on first, then swing the bottom into position. If a retaining screw (or screws) is fitted underneath, align the screw with the socket and press inward gently on the screw head until it 'clicks' into engagement.

UPPER GRILLE (or fascia)

The primary air control knob must be removed before the upper grille can be fitted or removed. It is retained by a Phillips-head screw from underneath. To avoid damaging the knob, check that the screw hole and the hole in the plate are in line before replacing the screw.

INSTALLING A WATER HEATING BOOSTER (LE 3000 Provincial in New Zealand only).

The necessary piping arrangements must be made for this before the case is fitted into the recess. The tube may be fitted on either side of the firebox, and the plumbing requirements are the same as those for the free-standing models. See page 9 for details.

OPERATING INSTRUCTIONS — ALL MODELS

BASIC INFORMATION

DOOR HANDLE

Front mounted handles. Swing the door open and shut with the handle in the 1 o'clock position. Latch the door shut by pushing in on the handle and turning it to the 4 or 5 o'clock position.

Side mounted handles. The door is opened by pulling forward on the lower part of the handle. Hold the handle in this forward position when shutting the door, finally pushing it back to vertical to lock the door.

HEAT OUTPUT CONTROL

This control has a sliding action. It is clearly marked with a wedge shaped symbol. Slide the control in the direction of the wide end of the wedge (to the right) to increase the heat output and toward the narrow end (to the left) to decrease it. A high fire can be shut down rapidly only by starving it of air, and this will result in undesirable emissions. For this reason, Masport woodfires are designed to settle down to lower heat outputs comparatively slowly.

OVERNIGHT BURNING

Old fashioned stove designs attempted to achieve long burn times by starving the fuel of air, thus creating over-rich fuel/air mixtures and emitting pollutants. Modern designs avoid pollution by eliminating air starvation. This might seem to rule out overnight burning, but this is not so provided that a suitable fuel is used. Hardwood fuels give longer low-burn times than softwoods, while thicker pieces of fuel burn longer than thin ones.

FAN OPERATION

The LE 7000 and Grande Provincial models should not be operated on maximum heat with very dry softwood unless the fan is operating. Using the fan, except when the fire is set on LOW, will improve the heating efficiency and distribution of warm air in the room.

ESSENTIAL ADVICE

- Correct installation, the use of only DRY wood and adherence to the following instructions will ensure satisfactory performance.

WARNING: MAKE SURE THE MINIMUM HEATER-TO-WALL DISTANCES SHOWN ON PAGES 4 AND 5 ARE ALWAYS MAINTAINED BETWEEN THE HEATER AND ANY HEAT SENSITIVE ITEMS. (FURNITURE, DRAPES, ETC.)

WARNING: DO NOT STORE FUEL WITHIN THE HEATER INSTALLATION CLEARANCES.

WARNING: DO NOT USE FLAMMABLE LIQUIDS OR AEROSOLS OR PLACE THESE IN THE VICINITY OF THIS APPLIANCE WHEN IT IS OPERATING.

WARNING: THIS APPLIANCE MUST NOT BE USED AS AN OPEN FIRE.

WARNING: WHEN FITTED WITH A WATER HEATING BOOSTER, THIS APPLIANCE MUST NOT BE CONNECTED TO AN UNVENTED HOT WATER SYSTEM. THIS APPLIANCE MUST BE INSTALLED WITH AN OPEN VENT. THERE MUST BE NO SHUT-OFF OR NON-RETURN VALVES IN THE PIPING SYSTEM. REFER TO WATER PIPE INSTALLATION INSTRUCTIONS.

LIGHTING UP

CAUTION: THIS APPLIANCE SHOULD BE MAINTAINED AND OPERATED AT ALL TIMES IN ACCORDANCE WITH THESE INSTRUCTIONS

Before lighting the first fire, spread the sand provided evenly over the floor of the firebox. Subsequently, always leave sand or ash to the level of the tops of the floor ribs.

Slide the heat output control fully to the hot position.

Crumple up several double sheets of newspaper and place them in the centre of the firebox. Build a pyramid of thin, dry kindling wood on the paper with some heavier pieces on top. Light the paper at the bottom and leave the door slightly ajar until the kindling has 'caught', then latch the door shut firmly.

WARNING: DO NOT USE FLAMMABLE LIQUIDS OR AEROSOLS TO START OR REKINDLE THE FIRE.

WARNING: ALWAYS MOVE THE AIR CONTROL TO THE OPEN POSITION (TO THE RIGHT) BEFORE OPENING THE FIRING DOOR.

When the kindling is well alight, open the door slowly and add some larger pieces of wood. **Do not throw fuel pieces into the firebox as this could damage the top baffle and the insulating boards or firebricks.**

Close and latch the door firmly.

Move the heat output control away from the maximum position only after the fire is well established. A new woodfire should not be run at higher than half setting beyond the first 30 minutes until it has been used for a total of 8 hours. Once fully 'run in', we recommend running at full heat for up to one hour after lighting as this will minimise creosote build-up in the flue. The control can then be set wherever desired.

The special high temperature paint on the firebox will emit some smoke as it cures during the first few minutes of running. This is quite normal.

CAUTION: THIS APPLIANCE SHOULD NOT BE OPERATED WITH A CRACKED GLASS

OPERATING HINTS FOR CLEAN BURNING AND BEST EFFICIENCY

FUEL: USE ONLY WOOD THAT HAS BEEN AIR DRIED IN A SHELTERED WELL VENTILATED STACK, PREFERABLY FOR AT LEAST 12 MONTHS. If moist fuel must be used, add it only to a really hot fire, mixing it with a large proportion of dry fuel. In Clean Air Zones, only wood may be used as fuel, and it must have a moisture content not greater than 25% (measured on a wet weight basis).

- Do not burn driftwood, as salt will corrode the woodfire.

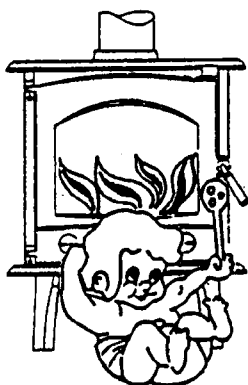
CAUTION: THE USE OF SOME TYPES OF PRESERVATIVE TREATED WOOD AS FUEL CAN BE HAZARDOUS.

- Add fuel reasonably often. A large fuel load placed on a dying fire can drop combustion temperatures undesirably.
- Avoid large smouldering fires. A small intense fire is more efficient.
- Move the heat control to maximum for a minute or so and turn off the air circulating fan (if fitted) before opening the door on a low burning fire. This will clear away any fumes in the firebox.
- Always open the door SLOWLY, and close and latch it shut securely again as soon as possible after re-loading.
- When loading fuel, place the pieces of wood in a front-to-back direction to ensure good air access and the cleanest possible burning. In the Christchurch Clean Air Zone, load the fuel from side to side in the LE 3000 model. Wood pieces for the Provincial Clean Air Zone (Christchurch) model should be generally about 250mm long, and should not exceed 300mm in length.
- **Load fuel carefully to avoid damage to the insulating boards, firebricks or top baffle.**
- If smoke wafts into the room while the door is open, first check that make-up air can flow freely into the room to replace the air passing up the flue. (See box below). Then check that the flue is not obstructed in any way, particularly by the rain cap being too close to the end of the flue. If these checks do not uncover the fault, add an extra length of flue (bracing it, if necessary) to counteract the down draught effects caused by roof shape, nearby buildings, hills or trees.
- Switch off the circulating fan (if fitted) when the fire is burning at low heat outputs. Use only the slow fan speed at medium heat output, moving to the higher speed(s) only when full heat output has been reached.
- Adjust the door to eliminate any minor leakage. (See MAINTENANCE - page 15). Serious leakage will require a new door seal.

REMEMBER, FOR THE FIRE TO DRAW PROPERLY, AIR MUST BE ABLE TO ENTER THE ROOM WHERE YOUR WOODFIRE IS INSTALLED. YOU MAY HAVE TO LEAVE A DOOR SLIGHTLY OPEN AND PERHAPS A WINDOW ELSEWHERE IN THE HOUSE IF YOUR HOME IS OF MODERN AIRTIGHT CONSTRUCTION. LEAVING THE ROOM DOOR OPEN WILL HELP SPREAD WARMTH THROUGH THE REST OF YOUR HOME.

SAFETY

- Always keep children well away from the woodfire when it is alight.
- **The appliance is not intended for use by young children or infirm persons without supervision.**
- **Supervise young children to ensure they do not play with the appliance.**
- **If the supply cord is damaged it must be replaced by the manufacturer, its service agent or a suitably qualified person in order to avoid electrical hazard.**
- **Ensure that the electrical plug is accessible after installation. The heater must not be located immediately below an electrical socket.**
- Do not put furniture, clothing, firewood or other combustibles near the woodfire. The minimum safe distance is 420mm from the sides and 1 metre from the front.



DO NOT LEAVE CHILDREN UN-ATTENDED NEAR A LIGHTED FIRE.

ALWAYS KEEP CLOTHING, FIREWOOD, FURNISHINGS AND OTHER COMBUSTIBLE MATERIALS A SAFE DISTANCE FROM THE FIRE.



- Do not leave the fire unattended with the door open.
- Accidental fires can be caused by wrapping seemingly cold ashes in paper. It is much safer to place ashes outside in a metal container with a close fitting lid.
- If a fire is burning up inside the flue, slide the heat output control to the low heat position (to the left) and call the Fire Service. **DO NOT OPEN THE WOODFIRE DOOR.**
- If you have had a flue fire, inspect your flue for damage before lighting another fire.
- Do not modify your woodfire in any way without obtaining written permission from the Manufacturers.

CAUTION. THIS APPLIANCE MUST NOT BE USED IF THE GLASS IS CRACKED OR BROKEN. THE GLASS SHOULD BE REPLACED ONLY WITH A GENUINE CERAMIC GLASS REPLACEMENT PART AVAILABLE FROM YOUR MASPORT DEALER.

MAINTENANCE

ASH REMOVAL

This should be necessary only very occasionally. Simply shovel out any excess, always leaving a bed of sand or ash to the tops of the ribs on the bottom of the firebox. Place the removed ashes in a non-combustible container with a tightly fitting lid, and move the container outdoors immediately to a place clear of combustible materials.

CLEANING THE GLASS

A good hot fire will burn away any deposits left from a long slow burn. If desired, a NON-CAUSTIC oven cleaner can be used.

CLEANING THE CABINET OR FASCIA

A damp rag with a touch of household detergent is sufficient to maintain the finish.

ADJUSTING THE DOOR LATCH

If the handle is front mounted, the latch can be adjusted to overcome settling of the door gasket by transferring a washer to the outside of the door catch spindle. If the handle is side mounted, the latch is adjusted by rotating the door catch peg. First undo the lock-nut on the inside of the peg, then rotate the peg to the position where the cam portion gives the right locking pressure. Holding the peg in this position, re-tighten the lock nut. The hinge on all models can also be adjusted inward if necessary. Move it in about a millimetre at top and bottom to maintain an even gasket pressure.

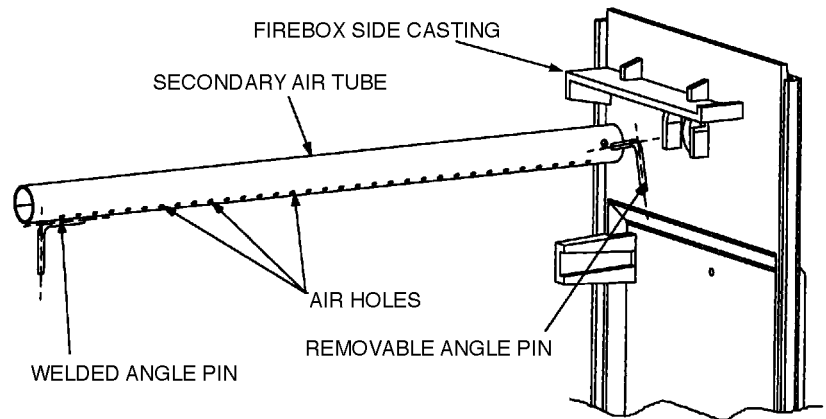
CLEANING INSIDE

If you wish to clean the flue or clear away creosote debris, the internal components can be removed easily (See below). We recommend that you check the condition of all internal components at least once a season to make sure they are still serviceable.

SECONDARY AIR TUBE REMOVAL

The tube will have either one or two removable angle pins to prevent it from moving endways and falling out. If there is one removable pin, one end of the tube will have a welded-on locating pin. To remove the tube, simply withdraw the angle pin(s) from the tube, move it sideways until one end can be swung down from its locating hole in the firebox side casting and then move it sideways in the other direction to disengage it completely from the firebox.

When re-fitting the tube, ensure that the small air holes will discharge generally toward the lower front of the firebox, rotating the tube until the welded-on locating pin (or the angle pin) will engage in the slot in the cast iron firebox side casting to maintain the correct angular position of the tube. Replace the angle pin at the other end of the tube.



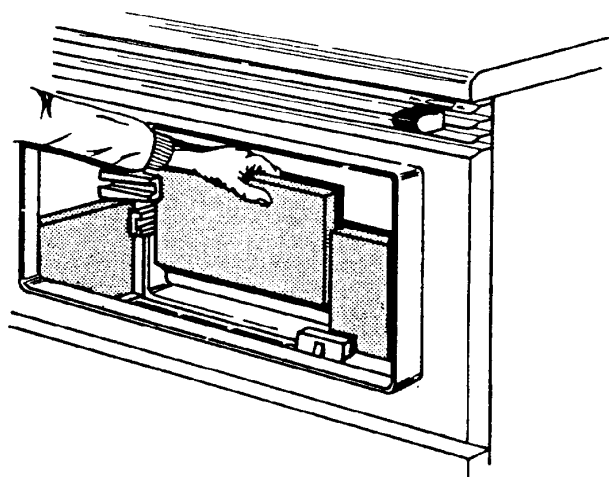
FIREBOX TOP BAFFLE

The special top baffle material operates at very high temperature to ensure clean burning. Take care not to knock and damage it. For flue cleaning or baffle replacement the secondary air tube must first be removed as described above. When replacing the baffle, ensure that it is sitting on top of the supporting shelf at each end and that it is pushed right to the back until the front corners drop behind the small retainer ribs on the shelves. Re-fit the secondary air tube.

FIREBOX LINERS

While the insulating boards or firebricks are durable, they will eventually require replacement. A cracked liner does not require replacing unless it will no longer stay in position in the firebox.

All Masport models have either fire-bricks or insulating board to line the firebox. (Some models have insulating boards already fixed in position at the factory). In the other models, two of the bricks or boards fit across the back of the firebox wall, and the others fit against the end walls. No force should be required to fit them, and they can be removed, if desired, for flue cleaning. However, they **MUST** be in place, and in good condition, before lighting the fire. Each brick or board is fitted in the same way. Angle it into position with its top corner behind the upper retaining lug, then swing it until it is parallel to the wall with its bottom corner behind the lower retaining lug. Lower the brick or board into position. In some models there are two boards at the rear and at each end. In that case, fit the metal retaining channel over the top edges of these pairs of bricks or boards to hold them in line. The wider leg of the channel goes next to the firebox wall.



FAN MAINTENANCE

Only the manufacturer, its service agent or a similarly qualified person should remove the bottom grille of the Grande Provincial or the ash shelf of the LE 7000 Provincial to carry out fan installation, servicing and maintenance. The fan should need little attention other than occasionally removing it to clean dust and lint from the impeller. First unplug the mains lead from the power point. Fans on in-built fires can be accessed by lifting off the ash shelf. Fans on free-standing fires are reached by removing the rear of the pedestal. On free-standing models with internally switched fans, first gently ease off the speed control knob, taking care to pull it off squarely. Remove the four screws (two on the Grandview) which hold the fan box in position.

If the fan on the free-stander is internally switched, move it slightly away from the switch end and withdraw it completely. Some fans simply stand on rubber bushes fitted over fixed posts. These simply lift away vertically from the post (remove any shipping nuts first, but do not replace it). Clean the impeller blades carefully by blowing or vacuuming, and reassemble in the reverse order.

CLEANING THE FLUE

This may be needed about once a year or more frequently under adverse conditions. Signs of creosote and soot build-up are inadequate draught, smoking when the door is opened and a dull thud when the outside of the flue is tapped. A blocked flue can be cleaned only by sweeping. **DO NOT USE CHEMICAL CHIMNEY CLEANERS.**

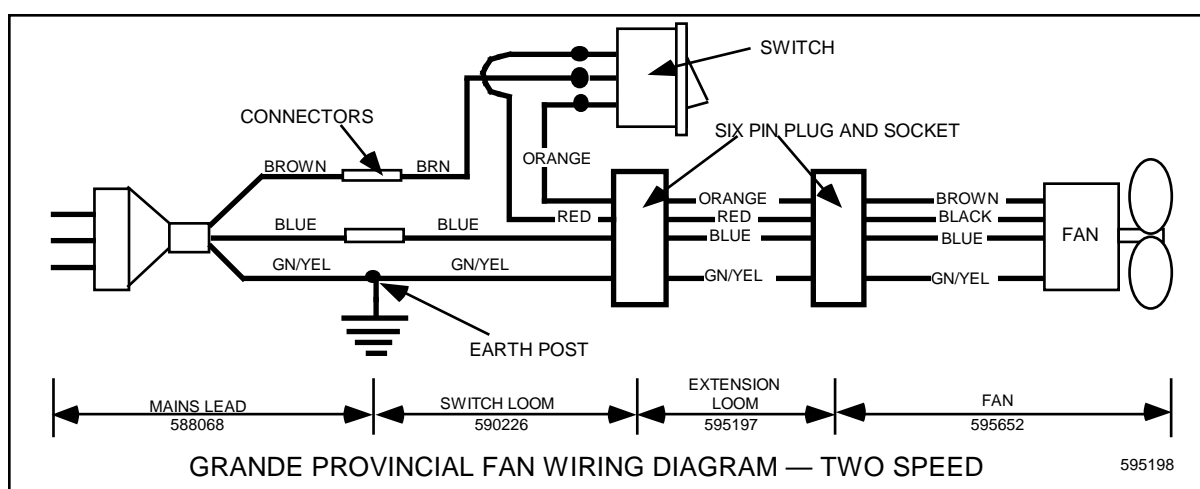
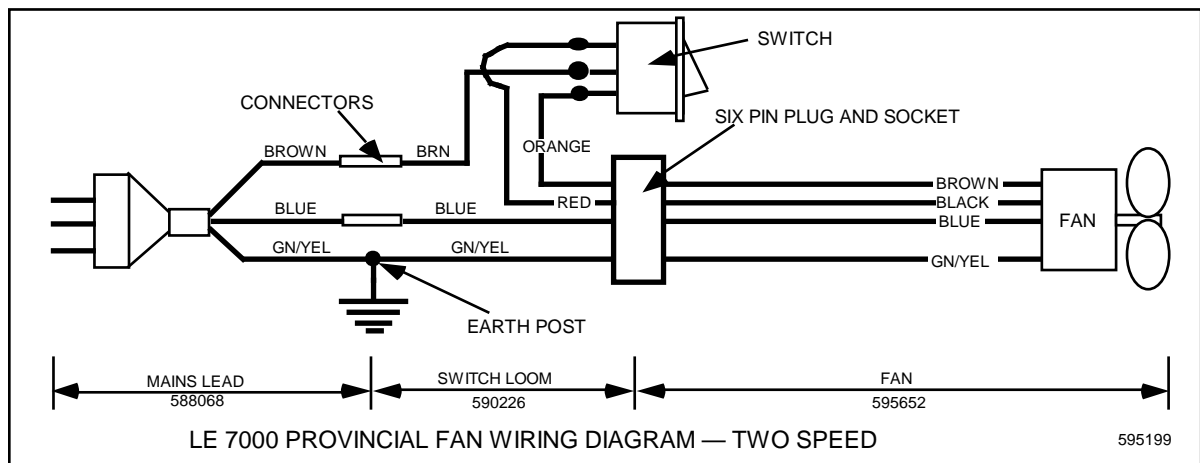
FLUE INSPECTION

Check regularly that the flue is sound, particularly the metal base of enamelled flues.

BEFORE EACH HEATING SEASON.

To ensure continued safety, check the condition of the following items; the flue system (particularly the flue sections nearest the firebox), the firebox top baffle, the firebox liners (bricks and boards) and the door gasket. Replace parts only with genuine MASPORT spares.

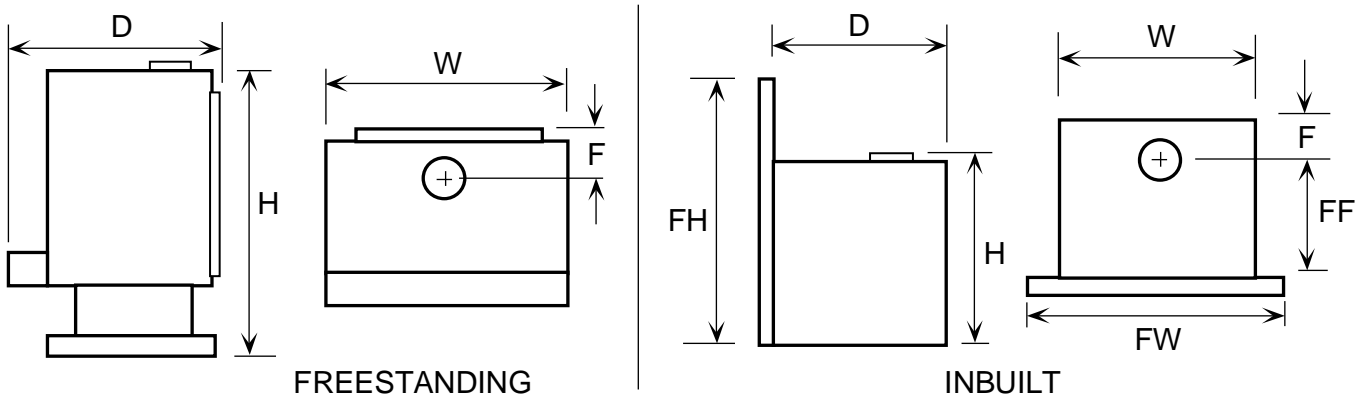
FAN WIRING DIAGRAMS



If the supply cord is damaged, it must be replaced by the manufacturer or its service agent or a similarly qualified person in order to avoid electrical hazard.

DIMENSIONS

MODEL	SHELF	D	H	W	F	FH	FW	FF
HORIZON / LE 2000	NO	440	615	555	165	—	—	—
	YES	525	615	555	165	—	—	—
SIENA	NO	490	640	555	165	—	—	—
LE 3000 / 5000 S2, S3	NO	490	680	660	220	—	—	—
	YES	585	680	660	220	—	—	—
VERONA	NO	570	705	660	220	—	—	—
TORONTO	NO	545	825	660	195	—	—	—
	YES	660	825	660	195	—	—	—
GRANDVIEW	NO	620	790	760	195	—	—	—
LE 3000 PROVINCIAL S2	—	460	570	590	125	660	810	335
LE 7000 PROVINCIAL S3	—	485	595	630	175	720	1000	310
GRANDE PROVINCIAL	—	485	670	720	175	790	1095	310



MASPORT WOODFIRES ARE MANUFACTURED IN NEW ZEALAND BY
MASPORT LTD. 1/37 MT WELLINGTON HIGHWAY.
 P.O. BOX 14-349 PANMURE, AUCKLAND NEW ZEALAND.

MASPORT WOODFIRES ARE DISTRIBUTED IN AUSTRALIA BY
MASPORT PTY LTD.
 P.O. BOX 533, MORDIALLOC, VICTORIA.