

Wood Fires



OWNER'S MANUAL & INSTALLATION GUIDE

WARNING: Improper installation, adjustment, alteration, service or maintenance can cause injury or property damage. For assistance or additional information consult an authorised technician, or your Masport Woodfire Dealer.

FOR YOUR SAFETY: Do not store or use gasoline or other flammable vapours and liquids in the vicinity of this appliance. Installation and service must be performed by authorised personnel. Please keep these instructions for further reference.

THE INSTALLATION AND OPERATING INSTRUCTIONS IN THIS MANUAL APPLY TO THE FOLLOWING WOODFIRES:-

Free standing models:-

MASPORT HORIZON
MASPORT LE 2000, 2000/S, 2000/W
MASPORT LE 3000, 3000/S, 3000/W (Series 2 models)
MASPORT LE 5000, 5000/S, 5000/W (Series 2 models)
MASPORT SIENA, SIENA/S
MASPORT VERONA
MASPORT PANORAMA (Series 2) and (Series 3)
MASPORT GRANDVIEW
MASPORT TORONTO

Fireplace Insert models:-

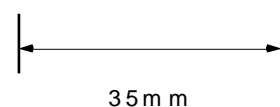
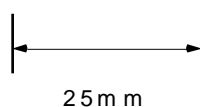
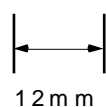
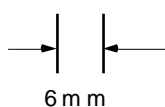
MASPORT LE 3000 PROVINCIAL (Series 2)
MASPORT LE 3000/S PROVINCIAL (Series 2)
MASPORT LE 3000/W PROVINCIAL (Series 2)
MASPORT LE 3000 PROVINCIAL (Clean Air Zone)
MASPORT LE 7000 PROVINCIAL (Australia)

Note: Models without a suffix have been emission tested for Australia.
 Models /S have been emission tested for N.Z. without water boosters.
 Models /W have been emission tested for N.Z. with water boosters.

CONTENTS OF LOOSE PARTS BAG

(Note: You may not need all these parts for your installation)

Part No.	Quantity	Description	Where Used
501682	10	M6 Hexagon Nut	4 — Pedestal front to pedestal sides 4 — Firebox to pedestal 2 — 'L' Brackets to pedestal
501703	4	M6 Flat Washer	4 — Firebox to pedestal
501815	4	M6 x 35mm Hex. Set Screw	4 — Firebox to pedestal
501959	6	M6 x 12mm Hex. Set Screw	4 — Pedestal front to pedestal sides 2 — 'L' Brackets to pedestal
503005	4	Self Threading Screw — 12mm long, zinc plated finish	4 — Heat shield to top of pedestal
503259	4	Self Threading Screw — 12mm long, black finish	4 — Pedestal rear panel to pedestal
503388	2	'C' Nut (Spire # SNU 0537)	2 — Seismic restraint bar to pedestal
503459	2	Self Threading Screw — 25mm long	2 — Seismic restraint bar to pedestal
595381	1	Installing & Operating Manual	
986413	2	'L' Bracket	2 — Sides or rear of pedestal



CONTENTS

INTRODUCTION.....	2
<u>FREE-STANDING MODELS — INSTALLATION</u>	
UNPACKING	3
ASSEMBLY	3
POSITIONING	4, 5
FLOOR PROTECTOR (HEARTH) REQUIREMENTS.....	6
CORNER FLOOR PROTECTORS (HEARTHS).....	7
FLOOR PROTECTOR (HEARTH) CONSTRUCTION.....	8
INSTALLING THE FLUE.....	8
FIXING IN POSITION.....	8
FINAL ASSEMBLY	9
INSTALLING A WATER HEATING BOOSTER.....	10
WATER PIPE CONNECTION POSITIONS	10
<u>FIREPLACE INSERT MODELS — INSTALLATION</u>	
UNPACKING	11
INSTALLATION REQUIREMENTS	11
FIREPLACE	11
MANTEL-SHELF.....	11
HEARTH	12
INSTALLING THE FIREBOX AND FLUE	12
FITTING INTERNAL PARTS.....	12
FASCIA	12
DOOR.....	13
ASH SHELF	13
LOUVRE ASSEMBLY.....	13
INSTALLING A WATER HEATING BOOSTER.....	13
<u>OPERATING INSTRUCTIONS — ALL MODELS</u>	
BASIC INFORMATION.....	14
LIGHTING UP	15
OPERATING HINTS	15, 16
SAFETY	16
MAINTENANCE.....	17, 18
BEFORE EACH HEATING SEASON.....	18
DIMENSIONS.....	18

**THIS BOOK CONTAINS IMPORTANT INFORMATION.
PLEASE KEEP IT IN A SAFE PLACE FOR FUTURE REFERENCE.**

INTRODUCTION

In the interests of your safety, most building regulatory Authorities in Australia and New Zealand require any woodfire installation to comply with the relevant National Standard. They may also have local requirements in addition to those in the Standard so you should approach your local Building Authority before commencing installation to establish whether you will require a Permit and whether you will need to meet extra requirements. All MASPORT Woodfires have been tested to ensure that they will meet the appropriate safety Standard requirements if the instructions in this book are followed.

Woodfire models covered by this manual have been tested to demonstrate compliance with current emission Standards in Australia and New Zealand.

WE RECOMMEND THAT THE INSTALLATION OF YOUR MASPORT WOODFIRE BE CARRIED OUT BY A QUALIFIED SPECIALIST INSTALLER.

IF ANY ELECTRICAL WORK IS REQUIRED, IT MUST BE CARRIED OUT BY A LICENSED ELECTRICIAN

PLEASE ENSURE THAT ONLY COMPONENTS APPROVED BY MASPORT ARE USED FOR THE INSTALLATION, as substitutes may adversely affect performance and might nullify compliance with the requirements of your country's Standard.

WARNING: THE APPLIANCE AND FLUE MUST BE INSTALLED IN ACCORDANCE WITH CURRENT INSTALLATION STANDARDS AND THE APPROPRIATE REQUIREMENTS OF THE RELEVANT BUILDING CODE OR CODES.

WARNING: WHERE REQUIRED BY THE REGULATORY AUTHORITY, APPLIANCES SHALL COMPLY WITH THE REQUIREMENTS OF AS/NZS 4013. APPROVED APPLIANCES ARE IDENTIFIABLE BY A PLATE STATING COMPLIANCE. ANY APPLIANCE MODIFICATION THAT HAS NOT BEEN APPROVED IN WRITING BY THE TESTING AUTHORITY IS CONSIDERED TO BE IN BREACH OF THE APPROVAL GRANTED FOR COMPLIANCE WITH AS/NZS 4013.

CAUTION: MIXING OF APPLIANCE OR FLUE SYSTEM COMPONENTS FROM DIFFERENT SOURCES OR MODIFYING THE DIMENSIONAL SPECIFICATION OF COMPONENTS MAY RESULT IN HAZARDOUS CONDITIONS. WHERE SUCH ACTION IS CONSIDERED, THE MANUFACTURER SHOULD BE CONSULTED IN THE FIRST INSTANCE.

CAUTION: CRACKED AND BROKEN COMPONENTS, e.g. GLASS PANELS, MAY RENDER THE INSTALLATION UNSAFE.

Additionally, for woodfires using water heating devices:-

WARNING: DO NOT CONNECT TO AN UNVENTED HOT WATER SYSTEM. INSTALL IN ACCORDANCE WITH AS 3500.4 OR NZS 4603 AND THE APPROPRIATE REQUIREMENTS OF THE RELEVANT BUILDING CODE OR CODES.

Some areas in New Zealand and Australia have special emission regulations and MASPORT woodfires are approved for use in those areas. Approval has been given provided that no modifications are made to the appliance.

In New Zealand areas covered by emission regulations:-

- (I) Any water heating device must be factory fitted or be a Masport accessory retro-fitted strictly in accordance with the instructions on page 10.
- (II) Coal must not be used as a fuel.
- (III) Wood fuel must have a moisture content of less than 25%.

FREE-STANDING MODELS (See page 11 for Fireplace Insert models)

UNPACKING

After removal of the shipping carton, open the door and take out all loose parts except the polystyrene packers above the top baffle. Do NOT discard the top baffle. You may find it more convenient to lift the door from its hinges at this stage.

Remove and discard the four bolts holding the woodfire to the shipping pallet.

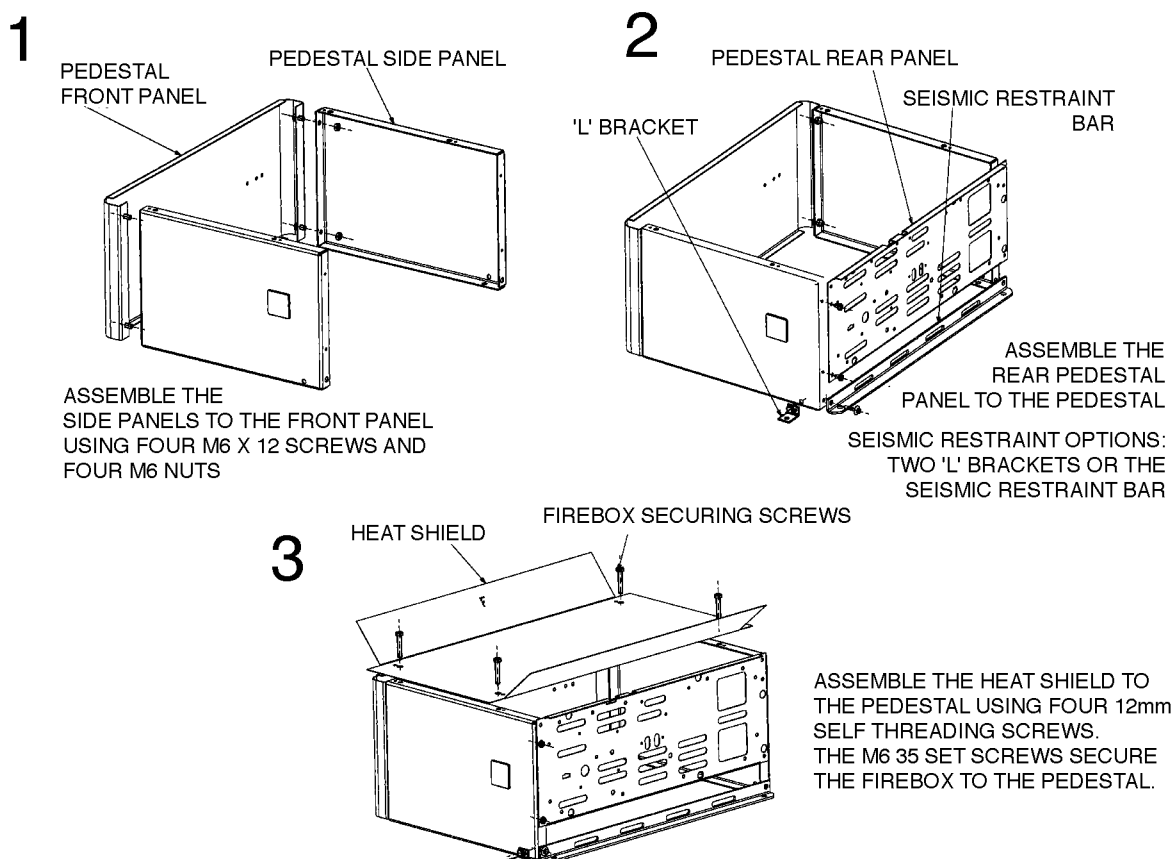
Remove the woodfire from the pallet, lifting only from the lower edge of each side.

DO NOT LIFT BY THE LOWER FRONT PANEL OR THE REAR PANEL.

ASSEMBLY OF FREE-STANDING MODELS

The table inside the front cover will help you identify the various fastenings.

First assemble the pedestal. Secure the two pedestal sides to the front, using four M6x12 set screws and taking care that the bottom flanges of the side panels align with the bottom flange of the front panel. The side with the square hole for the fan switch goes on the right (as viewed when looking at the front of the front panel). The top flange of the front panel will be above the top flanges of the side panels. Fit the slotted pedestal rear panel using the four black 12mm long self threading screws (sharp points). If your woodfire will have a fan, this will be fitted LATER after removing the rear panel. Using the four zinc plated 12mm long self threading screws (blunt points), screw the heat shield to the top of the pedestal assembly with the turned up ends of the heat shield facing upwards. Check that the pedestal foot and trim (if any) will fit snugly around the assembled pedestal before tightening all assembly screws fully.



Roll the woodfire carefully onto its back, using the flattened carton to protect the floor.

Taking care that the slotted pedestal rear panel will be at the rear, attach the pedestal to the firebox using the four M6x 35 set screws, four M6 flat washers and four M6 Hexagon nuts. Place the washers on the set screws and pass the screws from inside the firebox through the holes in the pedestal or in some cases, the heat shield. The nuts will be inside the pedestal. Check the alignment of the pedestal before tightening the nuts firmly.

Roll your woodfire carefully back into the upright position.

If you are installing a fan, this can now be fitted at the rear of the pedestal in place of the pedestal rear panel.

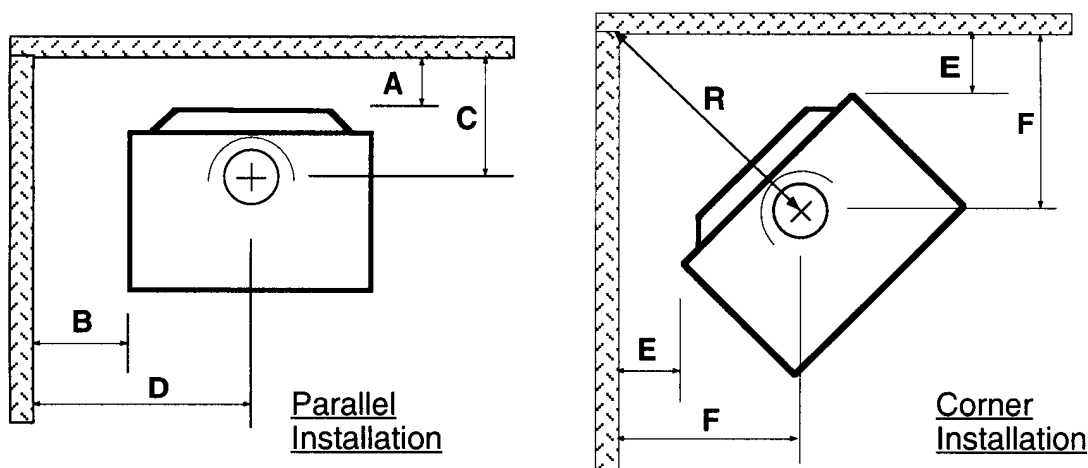
POSITIONING YOUR FREE-STANDING WOODFIRE

Free-standing woodfires must not be installed in a fireplace or alcove, or under a ceiling of not less than 2.3m. No wall or other fixed object may be closer to the front of the woodfire than one metre.

If a water heating accessory is to be fitted, a further positioning restraint is the need to be close to your hot water storage cylinder (See page 10).

Finalise the installation position for your woodfire only after considering the necessary stove to heat sensitive wall distances (See Tables below) and checking the practicability of installing the flue system through the ceiling and roof. Heat resistant walls covered with heat sensitive surface treatments (e.g. wallpaper or heat sensitive paints) should be regarded as heat sensitive walls. The flue shielding and the 25mm clearance gap around it above the ceiling will occupy a diameter of 300mm (Grandview and Toronto 325mm), and this must be available without the removal of structural beams. Flue installations other than strictly vertical ones are possible. See current Australian and New Zealand Standards for information on flues passing through walls and eaves.

Detailed dimensional requirements for the flue installation are included with every MASPORT approved flue system.



NEW ZEALAND — MINIMUM DISTANCES TO HEAT SENSITIVE WALLS (mm) ‡

Model	Flue Heat Shield	A	B	C	D	E	F	R§
Horizon LE 2000	YES - 1200 mm*	50	300	220	578	50	355	500
	NO	300	300	470	578	150	455	645
Siena	YES - 1200mm*	100	250	270	528	50	355	500
	NO	360	250	530	528	230	535	760
LE 3000 Series 2	YES - 1200 mm*	50	245	275	575	25	380	540
	NO	300	270	525	600	225	580	820
LE 5000 Series 2	YES - 1200 mm*	50	245	275	575	25	380	540
	NO	300	270	525	600	225	580	820
Verona	YES - 1200 mm*	125	300	345	630	125	480	680
Toronto	YES - 900mm*	125	400	320	730	50	425	600
	NO	475	400	670	730	300	675	955
Panorama Series 3	YES - 1200 mm*	50	345	275	675	50	380	540
	NO	300	345	525	675	250	580	820
Grandview	YES - 900 mm*	200	350	395	730	50	458	650
	NO	450	350	645	730	250	658	930

* All flue heat shields are polished stainless steel with top Heat Dispersal Cap.

§ Valid only when the room walls are at 90° to each other.

‡ Note: Clearances are for fire hazard only. For durability of finishes or surfaces you should contact the relevant manufacturer for their specification. Masport accepts no responsibility for the deterioration of surfaces or finishes.

AUSTRALIA

MINIMUM DISTANCES TO HEAT SENSITIVE WALLS (mm) ‡ WITH THE APPROPRIATE FLUE HEAT SHIELD							
Model	A	B	C	D	E	F	R §
Horizon	150*	350	320*	628	100	405	575
LE 2000	125	325	295	603	100	405	575
Siena (with flue shield)	150◇	250	320◇	528	100	405	575
Siena (without flue shield)	360	250	530	528	230	535	760
LE 3000 Series 2	150*	325	375*	655	125	480	680
LE 5000 Series 2	150*	325	375*	655	125	480	680
Verona	250†	300	470†	630	125	480	680
Toronto	125	350	320	680	100	475	675
Panorama Series 3	150*	350	375*	680	125	455	645
Grandview	150	350	345	730	100	508	720

* May be reduced by 25mm if a polished stainless steel flue shield is fitted instead of an enamelled one.

◇ May be reduced by 50mm if a polished stainless steel flue shield is fitted instead of an enamelled one.

† May be reduced by 125mm if a polished stainless steel flue shield is fitted instead of an enamelled one.

§ Valid only when the room walls are at 90° to each other.

‡ Note: Clearances are for fire hazard only. For durability of finishes or surfaces you should contact the relevant manufacturer for their specification. MASPORT accepts no responsibility for the deterioration of surfaces or finishes.

TESTED 150mm FLUE OPTIONS:- (For all models except Toronto and Grandview)

Acorn Metal - Special Insulated Flue Kit with 900mm 120° polished reflector.

Benja Pty Ltd - Benja Mk II with 900mm decorative heat shield with 120° solid back. (Not tested on Verona)

Floate Metal - Flomet Super Single with full length decorative heat shield with 120° solid back.

Shamic Sheetmetal - Model 1A with full length decorative heat shield with 180° solid back.
(Not tested on Verona and Panorama)

Statewide Heating - Model M1 with 900mm half-round enamelled flue shield.

Woodland Fireplaces - Woodland Double Flue System with flat ceiling plate and 900mm 180° stainless steel heat shield. For LE3000 Series 2, LE 5000 Series 2, Verona and Panorama Series 2 only.

TESTED 178mm (7") FLUE OPTIONS:- (For Toronto and Grandview models)

Acorn Metal - Special Insulated Flue Kit with 900mm long half-round enamelled mild steel or polished stainless steel flue shield.

Floate Metal - Flomet 7" Super Single flue system with full length perforated decorative heat shield with 120° solid back. The ceiling plate has a 200mm diameter collar extending down 100mm surrounding the decorative shield.

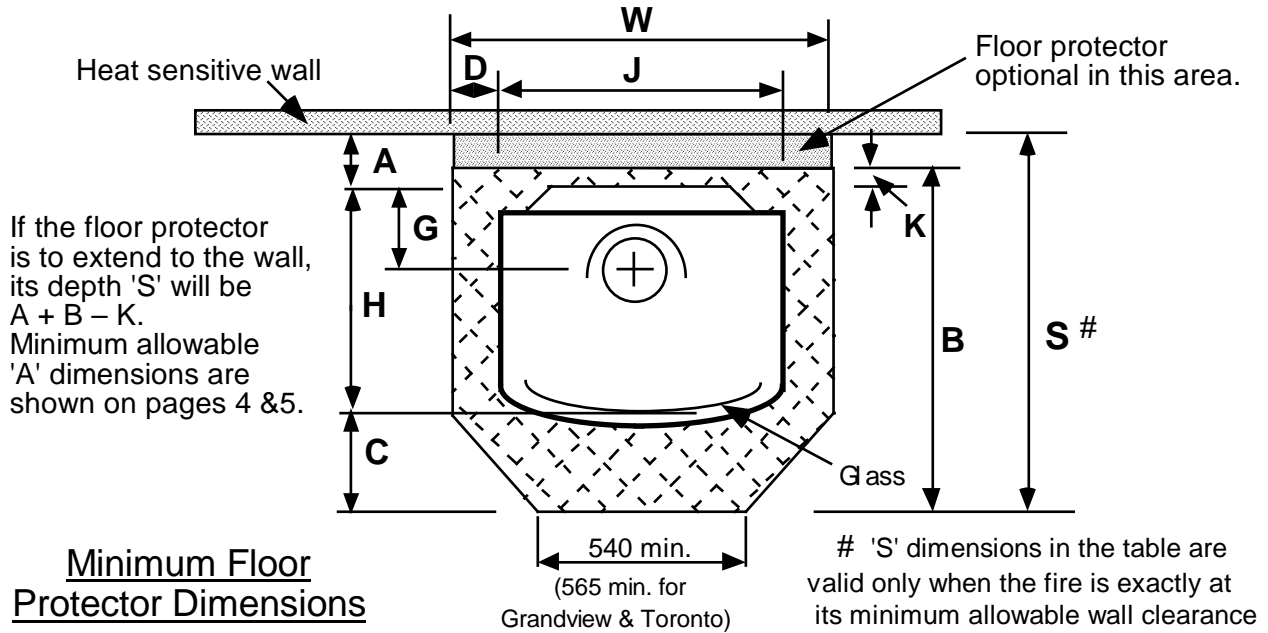
Statewide Heating - Standard 7" Flue Kit with 900mm long half round polished stainless steel flue shield. (Not tested with Toronto)

OTHER FLUE SYSTEMS

Flues and flue heat shields other than those listed above may be used, but if they have not been tested with these heaters, their installation clearances will be those specified in AS/NZS 2918:2001 for untested flue installations.

FLOOR PROTECTOR (Hearth) REQUIREMENTS — Free - standing models

Unless your woodfire will be standing on an un-covered fireproof floor (containing no combustible material) extending at least 500mm from the appliance, it will be necessary to provide a floor protector (hearth). See page 8 for construction details. Where the minimum size requirements bring the edge of the floor protector nearly to a wall, it is advisable to extend the protector to meet the wall.



AUSTRALIA	W	B	C	D	G	H	J	K	S #
Horizon, LE 2000	875	735	300	160	165	435	555	0	885
Siena	875	790	300	160	165	490	555	0	940¥
LE 3000 & LE 5000 Series 2	935	840	350	138	220	490	660	0	990β
Verona	940	960	300	140	220	560	660	100	1110Ω
Toronto	965	940	300	153	195	540	660	100	965
Panorama Series 3	940	915	350	140	220	565	660	0	1065β
Grandview Series 2	965	1010	300	103	195	610	760	100	1060

¥ Add 210mm if no flue heat shield is fitted - Deduct 50mm if the flue heat shield is polished stainless steel.

β Deduct 25mm if the flue heat shield is polished stainless steel.

Ω Deduct 125mm if the flue heat shield is polished stainless steel.

NEW ZEALAND	W	B	C	D	G	H	J	K	Ash Floor Protr. ø	Insultg. Floor Protr. ø	S #	
											Flue Shield	No Flue Shield
Horizon, LE 2000	875	735	300	160	165	435	555	0	Yes	Yes	785	1035
Siena	875	790	300	160	165	490	555	0	Yes	Yes	890	1150
LE 3000 Series 2	935	910*	420*	138	220	490	660	0	No	Yes	960*	1210*
LE 5000 Series 2	935	790	300	138	220	490	660	0	Yes	Yes	840	1090
Verona	940	960	300	140	220	560	660	100	Yes	Yes	985	—
Toronto	965	840	300	153	195	540	660	0	Yes	Yes	965	1315
Panorama Series 2	935	975*	410*	138	220	565	660	0	No	Yes	1025*	1275*
Grandview	965	1255*	520*	103	195	610	760	125	No	Yes	1330*	1580*

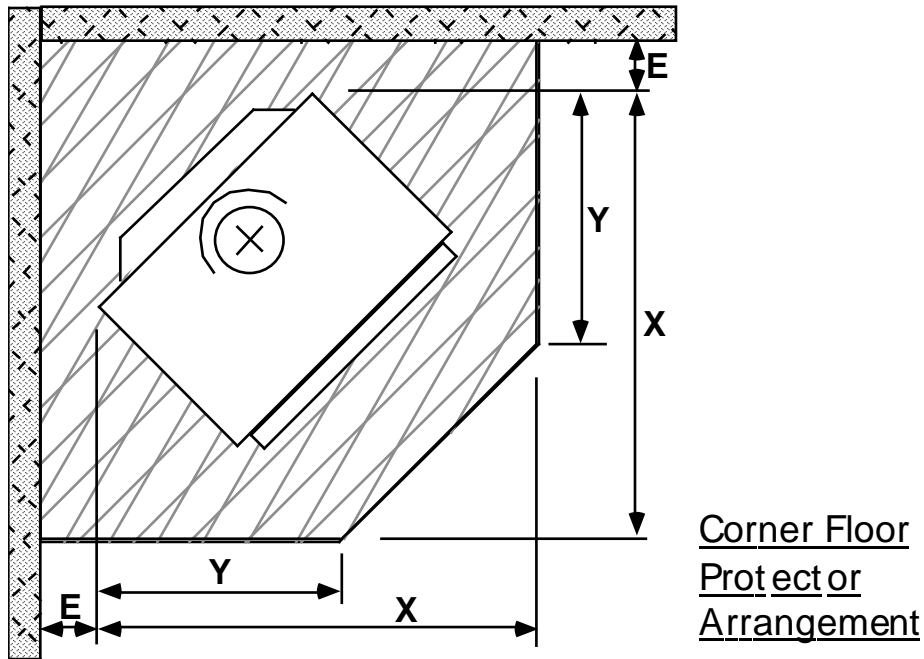
* Increase by 80 mm if the floor protector top is not at least 50 mm above the floor.

ø See page 8 for minimum constructional requirements.

Valid only when the fire is exactly at its minimum allowable wall clearance.

CORNER FLOOR PROTECTORS (Hearths)

While the information in the previous section details the MINIMUM size of floor protector necessary to comply with the Safety Standards, it may often be desirable to use a somewhat larger size for aesthetic reasons. A particular example is when the woodfire is installed diagonally in a corner. A neater appearance will result if the floor protector is carried right into the corner and is shaped as shown below. The chart facilitates calculation of the MINIMUM dimensions required for floor protectors of this shape. Minimum allowable values for dimension 'E' are given in the tables on pages 4 and 5.



MINIMUM DIMENSIONS — mm See pages 6, 8 for construction.		AUSTRALIA		NEW ZEALAND	
		X	Y	X	Y
Horizon, LE 2000	With Shelf	—	—	880	565
	Without Shelf	880	560	—	—
Siena		880	600	880	600
LE 3000 Series 2		980	605	1035	650†
LE 5000 Series 2	With Shelf	980	605	950	570
	Without Shelf	980	605	—	—
Verona		970	655	970	655
Toronto	With Shelf	—	—	1015	640
	Without Shelf	1025	625	—	—
Panorama Series 3		980	655	1050	675†
Grandview		1100	725	1250	890†

Your measurement 'E' must be added to 'X' and 'Y' to find the appropriate minimum overall floor protector dimensions. See page 4 or 5 for minimum values of 'E'.

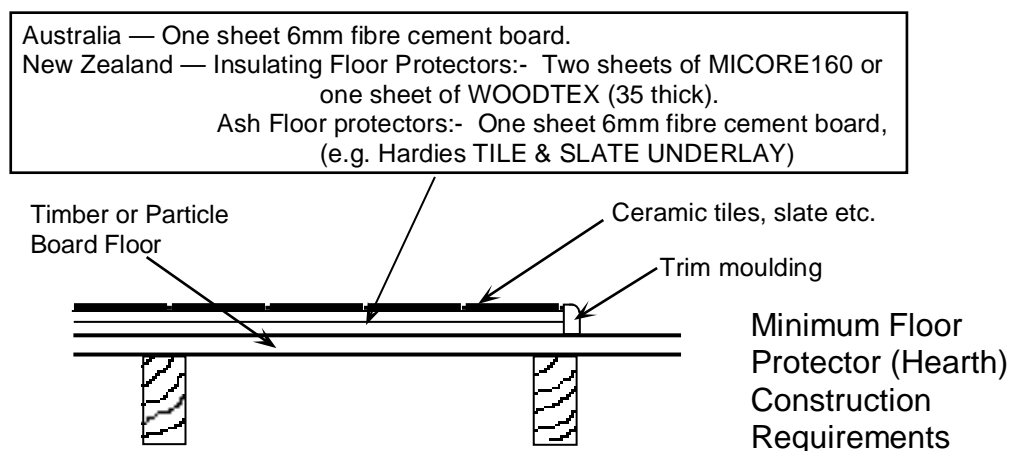
† Increase 'Y' by 120mm if the floor protector top is not at least 50mm above the floor.

FLOOR PROTECTOR (Hearth) CONSTRUCTION

In Australia the minimum floor protection requirement is a sheet of 6mm fibre cement board. It is usually fastened directly to the floor.

In New Zealand, some woodfires must have an insulating floor protector. (See page 6). All other current models may be installed on an ash type floor protector. Of course, all models may be installed on insulating floor protectors if desired. The necessary minimum construction details for ash and insulating floor protectors are shown below, and such constructions are suitable for use on solid timber or particle board floors. Bricks or concrete in contact with the flooring material do NOT provide the required insulation. If the floor within 500mm of the appliance is concrete and has no combustible material in contact with it, a floor protector is not required. In this case, if tiles or pieces of slate etc. are required for decorative purposes, they may be fixed directly to the concrete floor.

In all cases, in both countries, the protector must extend right under the woodfire and a durable top surface will be needed to resist damage from heat or dropped embers. Obvious surface materials are slate, bricks and ceramic tiles. Any gaps in the top surfacing material must be grouted to prevent the penetration of embers. A trim moulding will provide a neat edge finish.



INSTALLING THE FLUE

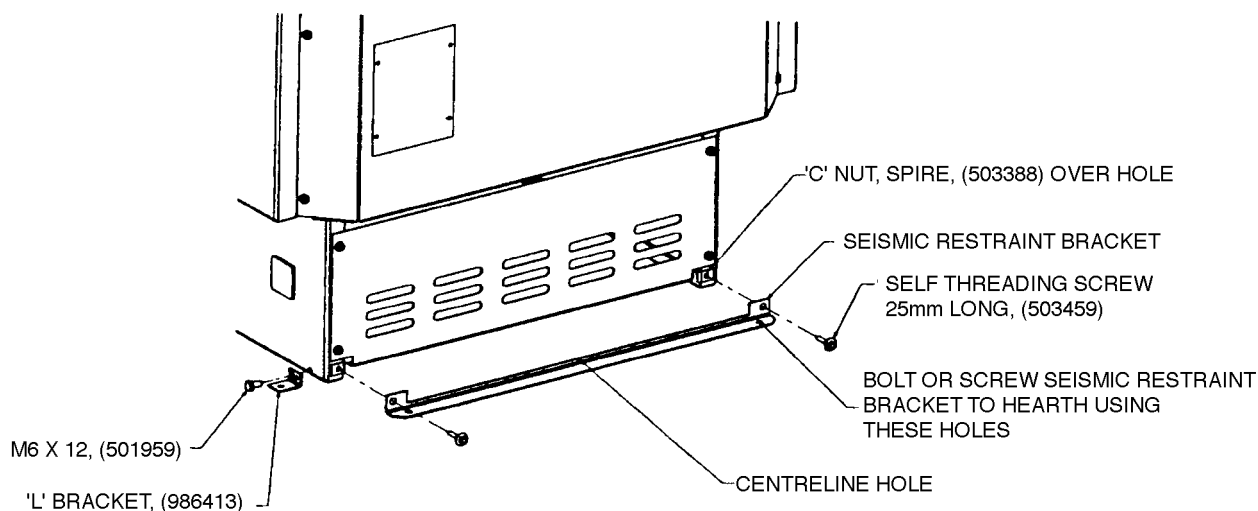
You MUST use a flue system which complies with the current Australian or New Zealand Standard as appropriate. Always seal the flue to the flue socket of the firebox using firebox cement or fibreglass rope.

In Australia, only flue systems tested with your particular model are approved for use. The flues and flue heat shields tested in Australia are detailed under the table on page 5. Unless otherwise specified on page 5, all heat sensitive wall material must be kept at least 600mm away from any flue which is not fitted with a flue heat shield.

In New Zealand we recommend the use of genuine Masport flue kits. The flue MUST be installed in accordance with the detailed instructions accompanying it. Grandview & Toronto ceiling plates must be at least 450mm square. A flue heat shield, as detailed on page 4, may be fitted at the back of the flue (directly above the stove) to achieve the reduced wall clearances shown in the table. The Masport flue heat shield for 150mm flues is Part No 551481, while the shield for 178mm flues is Part No 551793.

FIXING THE WOODFIRE IN POSITION

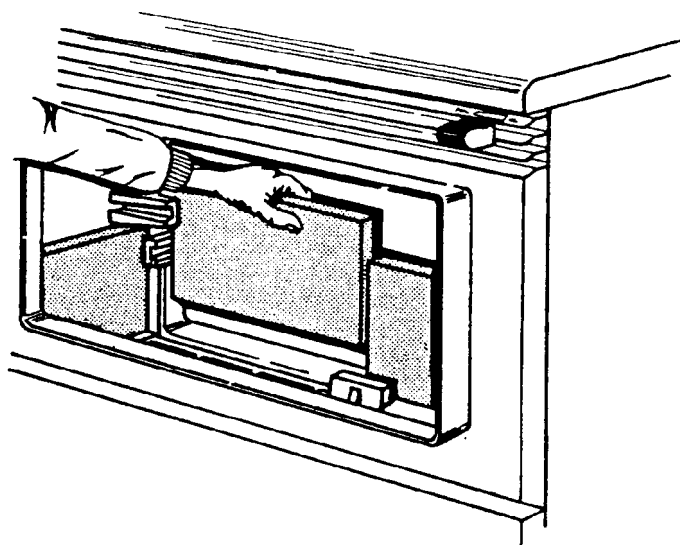
Once the flue shielding system has been installed through the ceiling and roof, the woodfire can be placed in its approximate position on the floor protector, and the flue pipes installed. Finally adjust the stove position making sure the flue is vertical and that the necessary minimum woodfire-to-wall distances are being achieved. In New Zealand and some parts of Australia, Standards require that the woodfire and floor protector be secured to prevent shifting in the event of an earthquake. This is best done by fastening the woodfire right through the protector to the floor, using two screws not less than 12 gauge, or the equivalent size of coach bolts or toggle fasteners. Anchor the appliance through the holes in the seismic restraint bracket at the rear of the pedestal or in the two angle brackets supplied. The angle brackets attach at each side of the pedestal (except for the LE 2000, where they attach at the rear). The pedestal can be fastened to the seismic restraint bracket either before or after fitting the anchor screws. The small centreline hole in the bracket will help in pre-positioning it.



FINAL ASSEMBLY

Before using the woodfire, the internal firebox components must be placed in their correct positions. No force should be required to fit them, and they can be removed, if desired, for flue cleaning. However, they **MUST** be in place, and in good condition, before lighting the fire.

All Masport models are supplied with either fire-bricks or insulating board to line the firebox. The LE 2000 has insulating board already fixed in position at the factory. In the other models, two bricks or boards are to be fitted across the back of the firebox wall, and the others will fit against the end walls. Each brick or board is fitted in the same way. Angle it into position with its top corner behind the upper retaining lug, then swing it until it is parallel to the wall with its bottom corner behind the lower retaining lug. Lower the brick or board into position. In some models there are two boards at each end. Fit the metal retaining channel over the top edges of these bricks to hold them in line. The wider leg of the channel goes next to the firebox wall.



Reach down through the flue spigot and carefully remove the polystyrene packing above the firebox top baffle, remembering that the baffle can be broken by rough handling. Make sure that the baffle is correctly placed on top of the supporting shelves at each side of the firebox, and that it is back far enough for the two front corners to drop behind the retaining ribs on top of the shelves. On some models, a metal reinforcing channel is provided for the baffle. Fit this along the edge of the baffle nearest the door.

If you need to remove the top baffle, first withdraw the secondary air tube following the instructions in the Maintenance section.

In cases where a pedestal foot is to be fitted, simply fit the trim into the foot and slide the assembly onto the pedestal, keeping the foot in contact with the hearth all the time to avoid marking the finish on the sides of the pedestal.

Finally, refit the door, if necessary, and spread the sand provided evenly over the bottom of the firebox before lighting the first fire.

INSTALLING A WATER HEATING BOOSTER

Water heating booster tubes can be fitted to woodfires sold in New Zealand. Fitting a water booster tube converts an /S model into a /W type. If a tube is retro-fitted, in some cases the air metering plate must be changed to ensure that emission requirements are still met. Only the models listed in the table below may be installed in the 'clean air' zones, and in some cases other components will be required in addition to the water tube. (See the table below). The air metering plate is fitted directly behind the sliding plate that controls the stove heat output, and it can be reached by removing the air control knob (remove the screw underneath), and lifting off the air grille.

Water booster tube holes are provided and plugged in the back wall of the free-standing firebox and the side walls of the Fireplace Insert model. All plumbing work must meet the requirements of NZS 4603 unless local building regulations dictate otherwise. Pipe connections are 1" BSP and the pipe positions are illustrated below. Special piping methods must be followed to ensure effective circulation, and the hot water cylinder will need to have an internal riser pipe to two thirds of the cylinder height to discourage unwanted water circulation when the woodfire is not burning. This internal riser pipe must be connected to the return pipe from the woodfire.

THE SYSTEM MUST BE VENTED. See the warning on page 2.

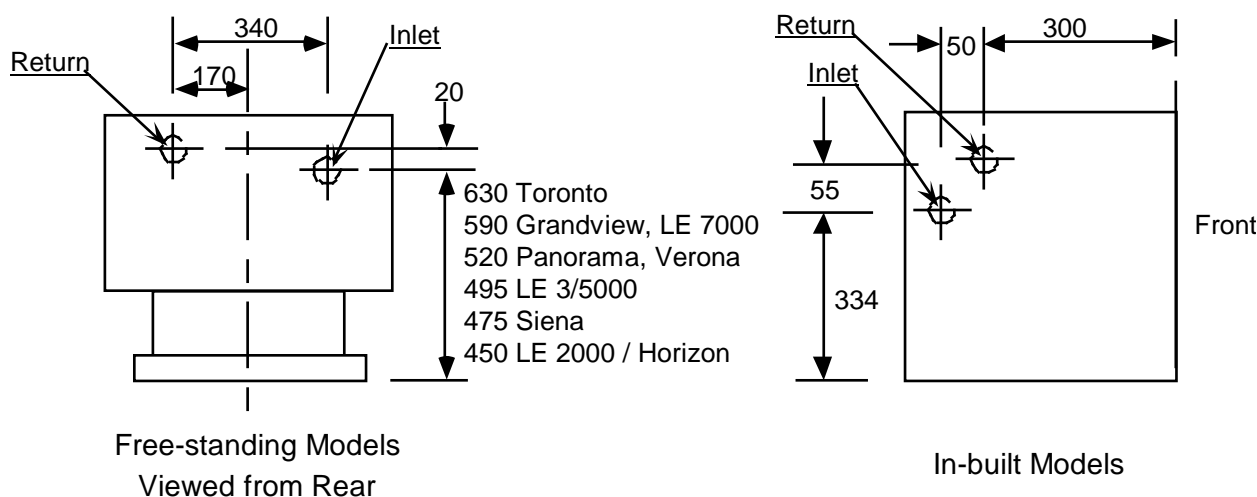
For effective circulation, the pipes from the woodfire should rise at the rate of one in five toward the storage cylinder, and ideally the cylinder should be within three metres of the woodfire. Detailed piping instructions are included in the conversion kit, but two safety requirements deserve special emphasis.

THERE MUST BE NO NON-RETURN OR SHUT-OFF VALVES IN THE PIPES BETWEEN THE WOODFIRE AND THE STORAGE CYLINDER.

A WOODFIRE FITTED WITH A WATER HEATING BOOSTER MUST NOT BE FIRED UNLESS IT IS CONNECTED TO A VENTED STORAGE CYLINDER FILLED WITH WATER FREE TO CIRCULATE.

PART NUMBERS OF COMPONENTS REQUIRED FOR WATER BOOSTER CONVERSIONS IN CHRISTCHURCH AND CANTERBURY CLEAN AIR ZONES

MODEL	CONVERSION KIT No.	WATER TUBE No.	METERING PLATE No.	SECONDARY AIR TUBE No.
LE 3000 / 5000 Series 2	994019	586044	986178	994010
LE 3000 PROVINCIAL Series 2	995095	586593	995024	No Change
Panorama Series 2	994020	586044	No Change	No Change
Verona	995371	586044	No Change	No Change



Water Pipe Connection Positions

FIREPLACE INSERT MODELS (See page 3 for free-standing models)

NOTE. The following instructions cover the installation of an LE 3000 Provincial or an LE 7000 Provincial into a sound existing masonry fireplace which has an integral masonry chimney. Where such a chimney is not available, the LE 3000 Provincial can be installed into a timber framed structure provided that it is mounted in a special 'built-in' (or 'zero clearance') cabinet. A built-in (zero clearance) installation kit and the special flue components necessary are available from your Masport Dealer. Full assembly instructions are included in the kit.

All current LE Provincial models (Australian and New Zealand), can be fitted with three-speed air circulating fans. These are mounted inside the ash shelf which protrudes below the firebox door. (Fans are not permitted in Provincial fires installed in the Clean Air Zones of Christchurch and Canterbury).

Fascia extending kits are available for the LE 3000 Provincial models to extend the fascia size from 660 high by 810 wide to 700 high by 900 wide to suit larger than normal fireplace openings. [Part No 986580 (black)].

An optional top fascia panel with a 38mm higher rear up-stand is available for the LE 7000 Provincial. [Part No 986765 (black)].

UNPACKING

After removal of the shipping carton from the firebox, take out all loose parts. Note that the firebox door is shipped with the fascia. In the case of the LE 7000 Provincial, the ash shelf and fan are also shipped with the fascia.

Keeping the fire upright, release it from the shipping pallet by unscrewing the shipping bolts.

INSTALLATION REQUIREMENTS

Please read the INTRODUCTION on page 2, as this applies also to Fireplace Insert models.

FIREPLACE

For a safe installation the following matters must be attended to.

- The masonry fireplace and chimney must be thoroughly cleaned and checked for soundness.
- The chimney must not connect to a second fireplace.
- The joint between the chimney face and the fireplace surround must be checked and sealed to prevent leakage if necessary.
- The fireplace recess must have a non-metallic heat resistant surround extending at least 585mm each side of the recess centreline (595mm for the LE 7000), and up to at least 810mm above the base of the fireplace recess.
- In New Zealand, the fireplace and chimney must comply with all the relevant Building Codes, except that the specified separation between the outside of the chimney and timber construction need not be provided. Timber may touch the outside of any part of the chimney.
- A flue pipe must be fitted right up the chimney, and the space between the flue pipe and chimney must be ventilated at the top. The area of this vent must be not less than 10,000mm². The vent must be fitted with means to prevent significant ingress of water and debris. The flue must be free to move up and down at the top as it expands and contracts with temperature changes. This movement can be 25mm or more.

MANTEL-SHELF SHIELDING

The need to shield a heat sensitive mantel-shelf depends on two measurements; its distance above the woodfire, and how far it projects forward from the face of the masonry fireplace surround. Heights shown below are measured from the undersurface of the shelf to the bottom of the fireplace recess. (The surface on which the firebox outer cabinet stands).

In Australia, all shelves less than 1225mm high require shielding.

In New Zealand, all shelves less than 1225mm high require shielding unless they project less than 75mm (from the face of the surround) and are at least 955mm high.

Where shielding is needed we recommend a sheet metal shield fixed 20mm below the undersurface of the shelf on non-combustible spacers. The shield must abut the wall beneath the mantelshelf and protect the entire depth of the under-surface of the shelf. It must extend outwards at least 200mm from each side of the appliance or to the ends of the shelf if this is a shorter distance. The 20mm air space under the shelf must be open at the ends and front to allow free circulation.

HEARTH

The masonry hearth for LE 3000 Provincial woodfires should be at least 900mm wide, and LE 7000 Provincial hearths must be at least 1080 wide.

MINIMUM HEARTH EXTENSIONS, measured from the face of the masonry surround:-

AUSTRALIA — 375mm for the LE 3000 Provincial, and 430mm for the LE 7000 Provincial. (Both regardless of hearth height).

NEW ZEALAND — For LE 3000/S and /W Provincials:-

Hearth Elevation	60 or more	50 mm	25 mm	Zero
Min. Hearth extension	300 mm	325 mm	400 mm	450 mm

INSTALLING THE FIREBOX AND FLUE

The flue recommended for use in Australia is a stainless steel chimney kit such as the Shamic #4. In New Zealand, we recommend the use of the Masport Provincial flue kit.

Measure the fireplace recess and remove bricks as necessary to accept the firebox outer case which is 560mm high, 590mm wide and 460mm deep for the LE 3000 models. The LE 7000 case is 603mm high, 630mm wide and 485 deep. Clear away any rubble and inspect and seal the chimney and fireplace as detailed under INSTALLATION REQUIREMENTS.

Remove the polystyrene packing from above the baffle taking care not to damage the baffle.

Check the distance back from the face of the surround to the clear space in the centre of chimney where the flue will run to determine whether the flue will mate with the flue socket in the stove without requiring an offset. If an offset is needed, fix it to the lower end of the assembled flue sections in the chimney and lift the flue assembly up while the firebox case is pushed back into the recess. Adjust the case position so that it is level and its flange is in line with the face of the surround. (If a fascia extending kit is being used, the flange should be 10mm forward from the surround face).

Where seismic restraint is necessary, screw the case to the base of the fireplace recess with at least two 12 gauge screws through the holes in the bottom panel of the firebox outer case.

If space above the case for positioning and fixing the flue is limited, access can be provided by sliding out the top front section of the case (LE 3000 models only). In the case of the LE 7000 model, it will be found easier to fit the flue to the firebox spigot if the top baffle inside the firebox is removed. Removal is described in the MAINTENANCE section under FIREBOX TOP BAFFLE. The flue can then be lowered into position.

Always seal the flue at the firebox spigot using fire cement or fibreglass rope. Fix the flue to the spigot through the hole at the front of the spigot. Re-fit the sliding panel with the insulating blanket on top in New Zealand. Do not forget to replace the baffle and secondary air tube if they have been removed.

Instructions for fixing and weather-proofing the top end of the flue are supplied with the flue kit.

FITTING INTERNAL PARTS

The internal components are identical to the free-standing models. See page 9 – FINAL ASSEMBLY.

FASCIA

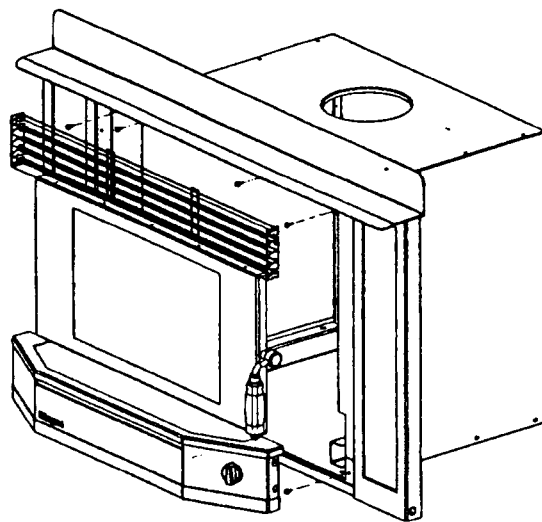
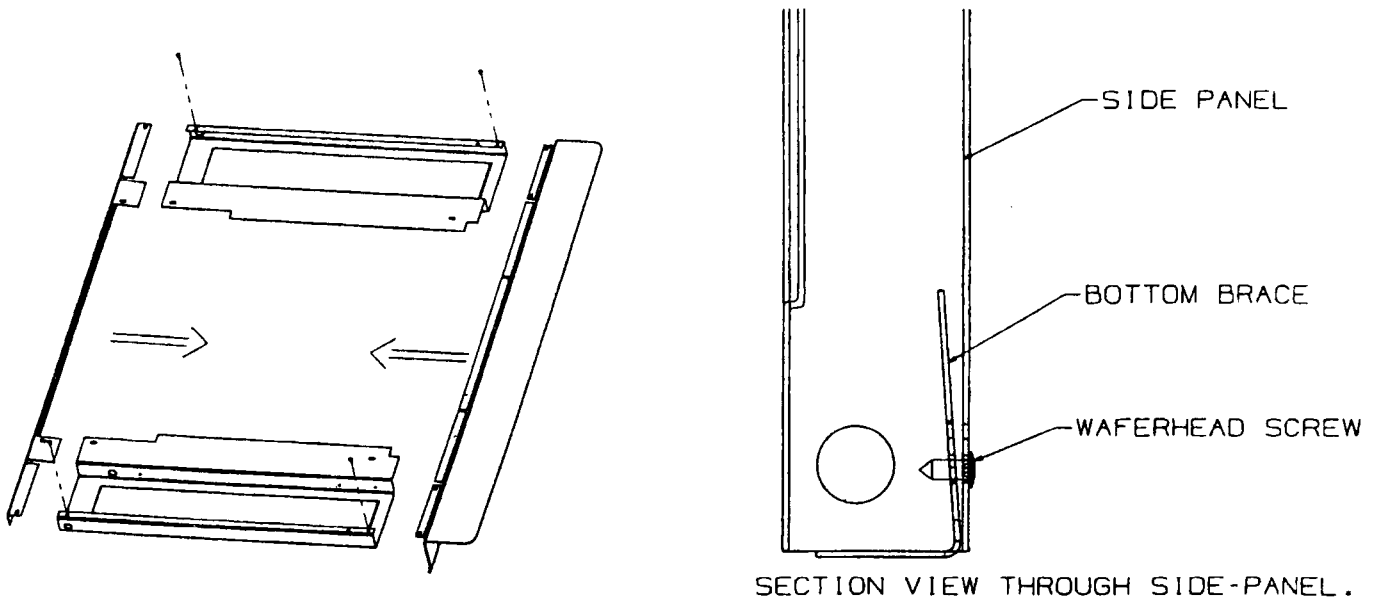
All fascias except the LE 7000 are delivered fully assembled and can be simply screwed to the flange of the firebox case. We recommend sealing any gaps between the rear of the fascia and the surround using appropriate insulating material.

To assemble the LE 7000 fascia:-

Lay the fascia components face down on the floor and use the wafer-head screws to assemble the two side panels, the mantel-shelf and the bottom brace. (See illustration on page 13). The wafer-head screws go through the back flanges of the side panels into the flanges of the mantel-shelf and bottom brace. (See illustration). Make sure the assembly is square.

Once this is complete, carefully turn the fascia over and confirm that the spacing between the side panels is correct by offering the ash shelf up to the fascia. The ash shelf hangs on two posts at the lower ends of the side panels. (Feed the mains flex for the fan through the side panel while placing the shelf in position). First engage the right end of the shelf and then the left. If the side panel spacing does not permit easy assembly, slacken the assembly screws and adjust as necessary.

With the ash shelf removed, fit the fascia to the firebox case, keeping a gap of about 2mm between the hearth and the lower edge of the fascia. (See illustration)



LE 7000 Fascia Assembly

DOOR

Hook the bottom pivot over the lower end of the hinge pin and lift the door up until the top pivot drops over the top end of the hinge pin.

ASH SHELF

Hang this on the posts at the bottom of the fascia, taking care to feed the mains flex for the fan through the fascia side panel as the shelf is lowered into position. Hook the right side on first, then swing the left side into position.

LOUVRE ASSEMBLY

The primary air control knob must be removed before the louvre assembly can be fitted or removed. It is retained by a Phillips-head screw from underneath. To avoid damaging the knob, check that the screw hole and the hole in the plate are in line before replacing the screw.

INSTALLING A WATER HEATING BOOSTER (New Zealand only)

The necessary piping arrangements must be made for this before the case is fitted into the recess. The tube may be fitted on either side of the firebox, and the plumbing requirements are the same as those for the free-standing models. See page 10 for details.

OPERATING INSTRUCTIONS — ALL MODELS

BASIC INFORMATION

DOOR HANDLE

Front mounted handles. Swing the door open and shut with the handle in the 12 o'clock position. Latch the door shut by pushing in on the handle and turning it to the 3 o'clock position.

Side mounted handles. The door is opened by pulling forward on the lower part of the handle. Hold the handle in this forward position when shutting the door, finally pushing it back to vertical to lock the door.

HEAT OUTPUT CONTROL

This control has a sliding action. It is clearly marked with a wedge shaped symbol. Slide the control in the direction of the wide end of the wedge to increase the heat output and toward the narrow end to decrease it. A high fire can be shut down rapidly only by starving it of air, and this will result in undesirable emissions. For this reason, Masport woodfires are designed to settle down to lower heat outputs comparatively slowly.

OVERNIGHT BURNING

Old-fashioned stove designs attempted to achieve long burn times by starving the fuel of air, thus creating over-rich fuel/air mixtures and emitting pollutants. Modern designs avoid pollution by eliminating air starvation. This might seem to rule out overnight burning, but this is not so provided that a suitable fuel is used. Hardwood fuels give longer low-burn times than softwoods, while thicker pieces of fuel burn longer than thin ones.

FAN OPERATION

The LE 7000 Provincial should not be operated on maximum heat with very dry softwood unless the fan is operating. Using the fan, except when the fire is set on LOW, will improve the heating efficiency and distribution of warm air in the room. Usually a medium fan speed setting will be adequate.

ESSENTIAL ADVICE

- Correct installation, the use of only DRY wood and adherence to the following instructions will ensure satisfactory performance.

WARNING: MAKE SURE THE MINIMUM HEATER-TO-WALL DISTANCES SHOWN ON PAGES 4 AND 5 ARE ALWAYS MAINTAINED BETWEEN THE HEATER AND ANY HEAT SENSITIVE ITEMS. (FURNITURE, DRAPES, ETC.)

WARNING: DO NOT STORE FUEL WITHIN THE HEATER INSTALLATION CLEARANCES.

WARNING: DO NOT USE FLAMMABLE LIQUIDS OR AEROSOLS OR PLACE THESE IN THE VICINITY OF THIS APPLIANCE WHEN IT IS OPERATING.

WARNING: THIS APPLIANCE MUST NOT BE USED AS AN OPEN FIRE.

WARNING: WHEN FITTED WITH A WATER HEATING BOOSTER, THIS APPLIANCE MUST NOT BE CONNECTED TO AN UNVENTED HOT WATER SYSTEM. THIS APPLIANCE MUST BE INSTALLED WITH AN OPEN VENT. THERE MUST BE NO SHUT-OFF OR NON-RETURN VALVES IN THE PIPING SYSTEM. REFER TO WATER PIPING INSTALLATION INSTRUCTIONS.

LIGHTING UP

CAUTION: THIS APPLIANCE SHOULD BE MAINTAINED AND OPERATED AT ALL TIMES IN ACCORDANCE WITH THESE INSTRUCTIONS

Before lighting the first fire, spread the sand provided evenly over the floor of the firebox. Subsequently, always leave sand or ash to the level of the tops of the floor ribs.

Slide the heat output control fully to the hot position.

Crumple up several double sheets of newspaper and place them in the centre of the firebox. Build a pyramid of thin, dry kindling wood on the paper with some heavier pieces on top. Light the paper at the bottom and leave the door slightly ajar until the kindling has 'caught', then latch the door shut firmly.

WARNING: DO NOT USE FLAMMABLE LIQUIDS OR AEROSOLS TO START OR REKINDLE THE FIRE.

CAUTION: ALWAYS MOVE THE AIR CONTROL TO THE OPEN POSITION BEFORE OPENING THE DOOR.

When the kindling is well alight, open the door slowly and add some larger pieces of wood. **Do not throw fuel pieces into the firebox as this could damage the top baffle and the insulating boards or firebricks.**

Close and latch the door firmly.

Move the heat output control away from the maximum position only after the fire is well established. A new woodfire should not be run at higher than half setting beyond the first 30 minutes until it has been used for a total of 8 hours. Once fully 'run in', we recommend running at full heat for up to one hour after lighting as this will minimise creosote build-up in the flue. The control can then be set wherever desired.

The special high temperature paint on the firebox will emit some smoke as it cures during the first few minutes of running. This is quite normal.

CAUTION: THIS APPLIANCE SHOULD NOT BE OPERATED WITH A CRACKED GLASS

OPERATING HINTS FOR CLEAN BURNING AND BEST EFFICIENCY

FUEL: USE ONLY WOOD THAT HAS BEEN AIR DRIED IN A SHELTERED WELL VENTILATED STACK, PREFERABLY FOR AT LEAST 12 MONTHS. If moist fuel must be used, add it only to a really hot fire, mixing it with a large proportion of dry fuel. In Clean Air Zones, only wood may be used as fuel, and it must have a moisture content not greater than 25% (measured on a wet weight basis).

- Do not burn driftwood, as salt will corrode the woodfire.

CAUTION: THE USE OF SOME TYPES OF PRESERVATIVE TREATED WOOD AS FUEL CAN BE HAZARDOUS.

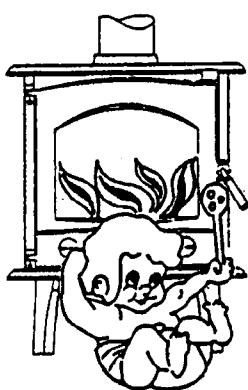
- Add fuel reasonably often. A large fuel load placed on a dying fire can drop combustion temperatures undesirably.
- Avoid large smouldering fires. A small intense fire is more efficient.
- Move the heat control to maximum for a minute or so and turn off the air circulating fan (if fitted) before opening the door on a low burning fire. This will clear away any fumes in the firebox.
- Always open the door SLOWLY, and close and latch it shut securely again as soon as possible after re-loading.
- When loading fuel, place the pieces of wood in a front-to-back direction to ensure good air access and the cleanest possible burning. To achieve this, wood pieces for the Provincial Clean Air Zone (Christchurch) model should be generally about 250mm long, and in any case should not exceed 300mm in length.
- **Load fuel carefully to avoid damage to the insulating boards, firebricks or top baffle.**

- If smoke wafts into the room while the door is open, first check that make-up air can flow freely into the room to replace the air passing up the flue. (See box below). Then check that the flue is not obstructed in any way, particularly by the rain cap being too close to the end of the flue. If these checks do not uncover the fault, add an extra length of flue (bracing it, if necessary) to counteract the down draught effects caused by roof shape, nearby buildings, hills or trees.
- Switch off the circulating fan (if fitted) when the fire is burning at low heat outputs. Use only the slow fan speed at medium heat output, moving to the higher speed(s) only when full heat output has been reached.
- Adjust the door to eliminate any minor leakage. (See MAINTENANCE - page 17). Serious leakage will require a new door seal.

REMEMBER, FOR THE FIRE TO DRAW PROPERLY, AIR MUST BE ABLE TO ENTER THE ROOM WHERE YOUR WOODFIRE IS INSTALLED. YOU MAY HAVE TO LEAVE A DOOR SLIGHTLY OPEN AND PERHAPS A WINDOW ELSEWHERE IN THE HOUSE IF YOUR HOME IS OF MODERN AIRTIGHT CONSTRUCTION. LEAVING THE ROOM DOOR OPEN WILL HELP SPREAD WARMTH THROUGH THE REST OF YOUR HOME.

SAFETY

- Always keep children well away from the woodfire when it is alight.
- Do not put furniture, clothing, firewood or other combustibles near the woodfire. The minimum safe distance is 420mm from the sides and 1 metre from the front.



DO NOT LEAVE CHILDREN UN-ATTENDED NEAR A LIGHTED FIRE.

ALWAYS KEEP CLOTHING, FIREWOOD, FURNISHINGS AND OTHER COMBUSTIBLE MATERIALS A SAFE DISTANCE FROM THE FIRE.



- Do not leave the fire unattended with the door open.
- Accidental fires can be caused by wrapping seemingly cold ashes in paper. It is much safer to place ashes outside in a metal container with a close fitting lid.
- If a fire is burning up inside the flue, slide the heat output control to the low heat position and call the Fire Service. DO NOT OPEN THE WOODFIRE DOOR.
- If you have had a flue fire, inspect your flue for damage before lighting another fire.
- Do not modify your woodfire in any way without obtaining written permission from the Manufacturers.

CAUTION. THIS APPLIANCE MUST NOT BE USED IF THE GLASS IS CRACKED OR BROKEN. THE GLASS SHOULD BE REPLACED ONLY WITH A GENUINE CERAMIC GLASS REPLACEMENT PART AVAILABLE FROM YOUR MASPORT DEALER.

MAINTENANCE

ASH REMOVAL

This should be necessary only very occasionally. Simply shovel out any excess, always leaving a bed of sand or ash to the tops of the ribs on the bottom of the firebox. Place the removed ashes in a non-combustible container with a tightly fitting lid, and move the container outdoors immediately to a place clear of combustible materials.

CLEANING THE GLASS

A good hot fire will burn away any deposits left from a long slow burn. If desired, a NON-CAUSTIC oven cleaner can be used.

CLEANING THE CABINET OR FASCIA

A damp rag with a touch of household detergent is sufficient to maintain the finish.

ADJUSTING THE DOOR LATCH

If the handle is front mounted, the latch can be adjusted to overcome settling of the door gasket by transferring a washer to the outside of the door catch spindle. If the handle is side mounted, the latch is adjusted by rotating the door catch peg. First undo the lock-nut on the inside of the peg, then rotate the peg to the position where the cam portion gives the right locking pressure. Holding the peg in this position, re-tighten the lock nut. The hinge on all models can also be adjusted inward if necessary. Move it in about a millimetre at top and bottom to maintain an even gasket pressure.

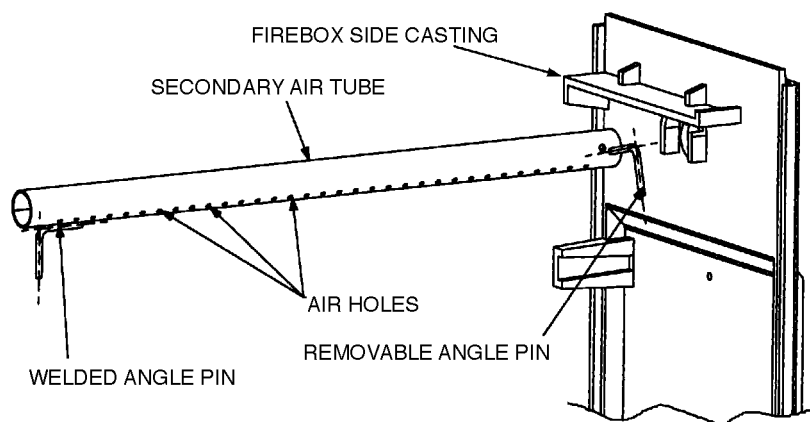
CLEANING INSIDE

If you wish to clean the flue or clear away creosote debris, the internal components can be removed easily (See below). We recommend that you check the condition of all internal components at least once a season to make sure they are still serviceable.

SECONDARY AIR TUBE REMOVAL

The tube will have either one or two removable angle pins to prevent it from moving endways and falling out. If there is one removable pin, one end of the tube will have a welded-on locating pin. To remove the tube, simply withdraw the angle pin(s) from the tube, move it sideways until one end can be swung down from its locating hole in the firebox side casting and then move it sideways in the other direction to disengage it completely from the firebox.

When re-fitting the tube, ensure that the small air holes will discharge generally toward the lower front of the firebox, rotating the tube until the welded-on locating pin (or the angle pin) will engage in the slot in the cast iron firebox side casting to maintain the correct angular position of the tube. Replace the angle pin at the other end of the tube.



FIREBOX TOP BAFFLE

The special top baffle material operates at very high temperature to ensure clean burning. Take care not to knock and damage it. For flue cleaning or baffle replacement the secondary air tube must first be removed as described above. When replacing the baffle, ensure that it is sitting on top of the supporting shelf at each end and that it is pushed right to the back until the front corners drop behind the small retainer ribs on the shelves. Re-fit the secondary air tube.

FIREBOX LINERS

While the insulating boards or firebricks are durable, they will eventually require replacement. A cracked liner does not require replacing unless it will no longer stay in position in the firebox.

FAN MAINTENANCE

The fan should need little attention other than occasionally removing it to clean dust and lint from the impeller. First unplug the fan from the power point. Fans on Fireplace Insert fires can be accessed by lifting off the ash shelf. Fans on free-standing fires are reached by removing the rear of the pedestal. On internally switched fans, first gently ease off the speed control knob, taking care to pull it off squarely. Remove the four screws (two on the Panorama and Grandview) which hold the fan box in position.

If the fan is internally switched, move it slightly away from the switch end and withdraw it completely. In the case of the Panorama and Grandview, lift the fan off the two top support pegs and then withdraw it. In all cases, no wires need to be uncoupled. Clean the impeller blades carefully by blowing or vacuuming, and reassemble in the reverse order.

CLEANING THE FLUE

This may be needed about once a year or more frequently under adverse conditions. Signs of creosote and soot build-up are inadequate draught, smoking when the door is opened and a dull thud when the outside of the flue is tapped. A blocked flue can be cleaned only by sweeping. **DO NOT USE CHEMICAL CHIMNEY CLEANERS.**

FLUE INSPECTION

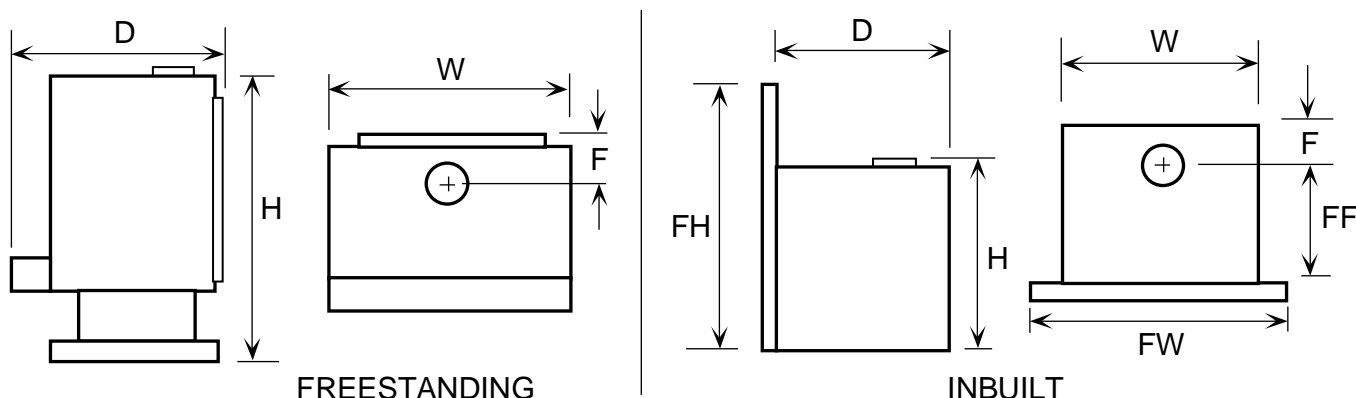
Check regularly that the flue is sound, particularly the metal base of enamelled flues.

BEFORE EACH HEATING SEASON.

To ensure continued safety, check the condition of the following items; the flue system (particularly the flue sections nearest the firebox), the firebox top baffle, the firebox liners (bricks and boards) and the door gasket. Replace parts only with genuine MASPORT spares.

DIMENSIONS

MODEL	SHELF	D	H	W	F	FH	FW	FF
HORIZON / LE 2000	NO	440	615	555	165	—	—	—
	YES	525	615	555	165	—	—	—
SIENA	NO	490	640	555	165	—	—	—
LE 3000 / 5000	NO	490	680	660	220	—	—	—
	YES	585	680	660	220	—	—	—
VERONA	NO	570	705	660	220	—	—	—
TORONTO	NO	545	825	660	195	—	—	—
	YES	660	825	660	195	—	—	—
PANORAMA	NO	570	705	660	220	—	—	—
GRANDVIEW	NO	620	790	760	195	—	—	—
LE 3000 PROVINCIAL	—	460	570	590	125	660	810	335
LE 7000 PROVINCIAL	—	485	620	630	175	720	1095	310



MASPORT WOODFIRES ARE MANUFACTURED IN NEW ZEALAND BY
 MASPORT LTD. 1/37 MT WELLINGTON HIGHWAY.
 P.O. BOX 14-349 PANMURE, AUCKLAND NEW ZEALAND.

MASPORT WOODFIRES ARE DISTRIBUTED IN AUSTRALIA BY
 MASPORT PTY LTD.
 P.O. BOX 533, MORDIALLOC, VICTORIA.