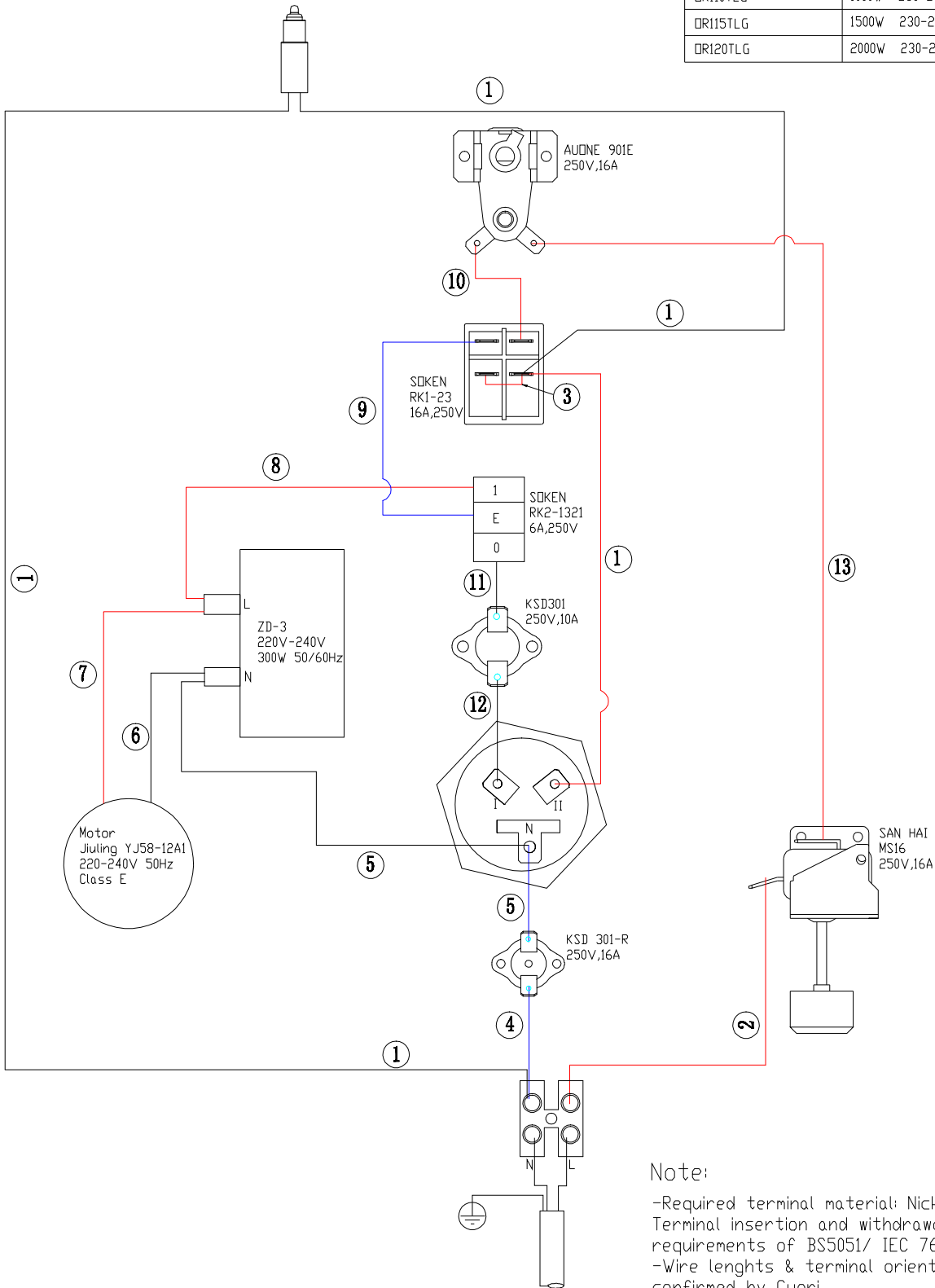


MODEL	RATING	ELEMENT SPLIT	
		II	I
DR110TLG	1000W 230-240V	600W	400W
DR115TLG	1500W 230-240V	800W	700W
DR120TLG	2000W 230-240V	1100W	900W



Note:

- Required terminal material: Nickel Plated Steel Terminal insertion and withdrawal force to meet requirements of BS5051/ IEC 760
- Wire lengths & terminal orientation/type to be confirmed by Cuori

ISSUE	MODIFICATIONS	APPD	DATE	NOTES	GLEN DIMPLEX RESEARCH & DEVELOPMENT				THIS DRAWING IS SUPPLIED IN CONFIDENCE AND THE COPYRIGHT THEREOF IS THE PROPERTY OF GLEN DIMPLEX. IT MUST NOT BE USED BY A THIRD PARTY WITHOUT PRIOR PERMISSION. ©2006		
A	RELEASE FOR SAMPLING	RW	27/05/08	All wires to be 1.0mm ² Neon function: operating Tolerance on all wire lengths +/-5mm	Dunleer, Co.Louth, Ireland. Tel: 041 9800204. Fax: 041 6851464.	PROJECT	Oil Column-EWT TURBO		TITLE		
					DRAWN BY	DATE	SCALE	HOLE TOL	GEN TOL	WIRING DIAGRAM	
					APP'D BY	DATE	DIM IN	ANGLES		NO. OF:	
							mm	+/-0.5°	0 +/-0.4 0.0 +/-0.2 0.00 +/-0.1	DRG NO	
					R.O.H.S. All material must comply with the requirements of European Directive 2002/95/EC on the restriction of the use of certain hazardous substances.				0/11499/0		A4
					DO NOT SCALE IF IN DOUBT ASK				THIRD ANGLE PROJECTION		Sht 1 of 1