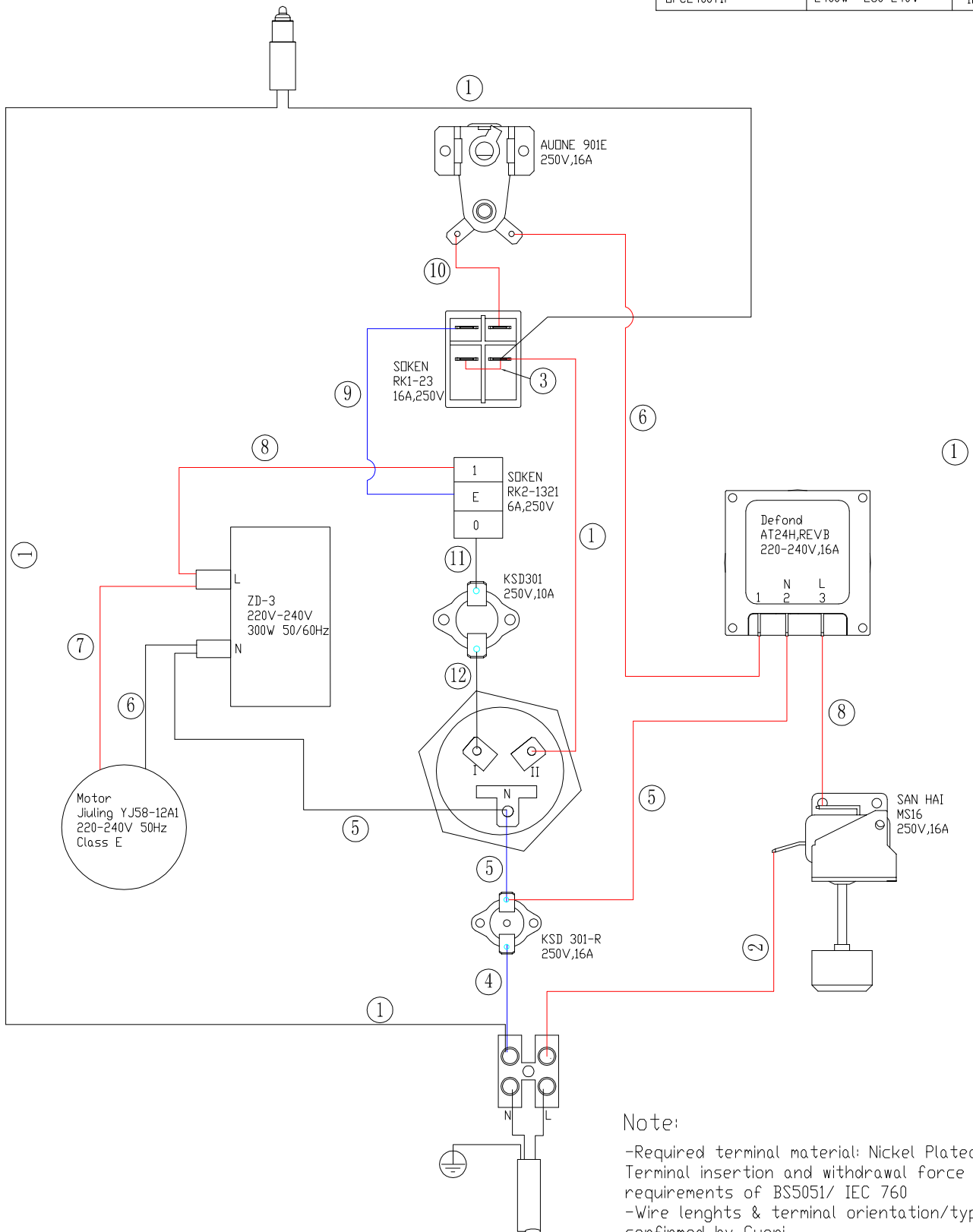


MODEL	RATING	ELEMENT SPLIT	
DFC2400TIF	2400W 230-240V	II 1200w	I 1200w



Note:
 -Required terminal material: Nickel Plated Steel Terminal insertion and withdrawal force to meet requirements of BS5051/ IEC 760
 -Wire lengths & terminal orientation/type to be confirmed by Cuori

ISSUE	MODIFICATIONS	APP'D	DATE	NOTES	 Dunleer, Co.Louth, Ireland. Tel: 041 9800204. Fax: 041 6851464.	THIS DRAWING IS SUPPLIED IN CONFIDENCE AND THE COPYRIGHT THEREOF IS THE PROPERTY OF GLEN DIMPLEX. IT MUST NOT BE USED BY A THIRD PARTY WITHOUT PRIOR PERMISSION. ©2006
A	RELEASE FOR SAMPLING	RW	03/12/08	All wires to be 1.5mm ² Neon function: operating Tolerance on all wire lengths +/-5mm		PROJECT <i>Dil Column-Dimplex GDA</i>
				DO NOT SCALE	DRAWN BY <i>RW</i> DATE <i>03/12/08</i> SCALE HOLE TOL +/-0.05 GEN TOL 0 +/-0.4 APP'D BY DATE DIM IN mm ANGLES +/-0.5' 0,0 +/-0.2 0,00+/-0,1	TITLE WIRING DIAGRAM
				IF IN DOUBT ASK	THIRD ANGLE PROJECTION R.o.H.S. All material must comply with the requirements of European Directive 2002/95/EC on the restriction of the use of certain hazardous substances.	DRG NO <i>0/11580/0</i> ND. OFF.
						A4 Sht 1 of 1