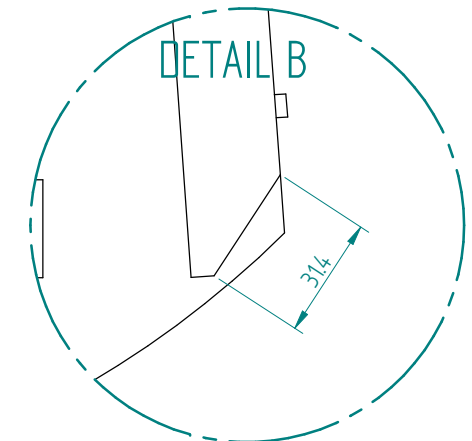
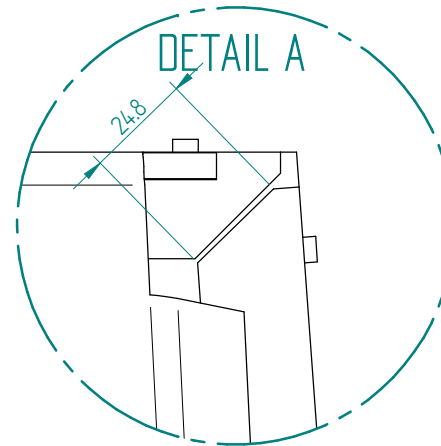
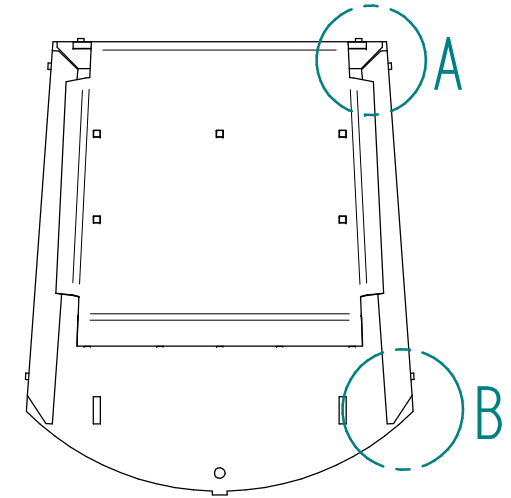
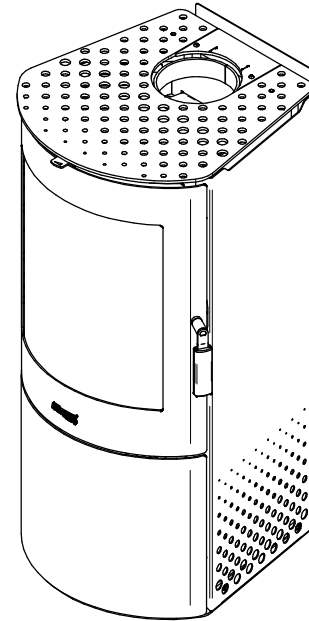
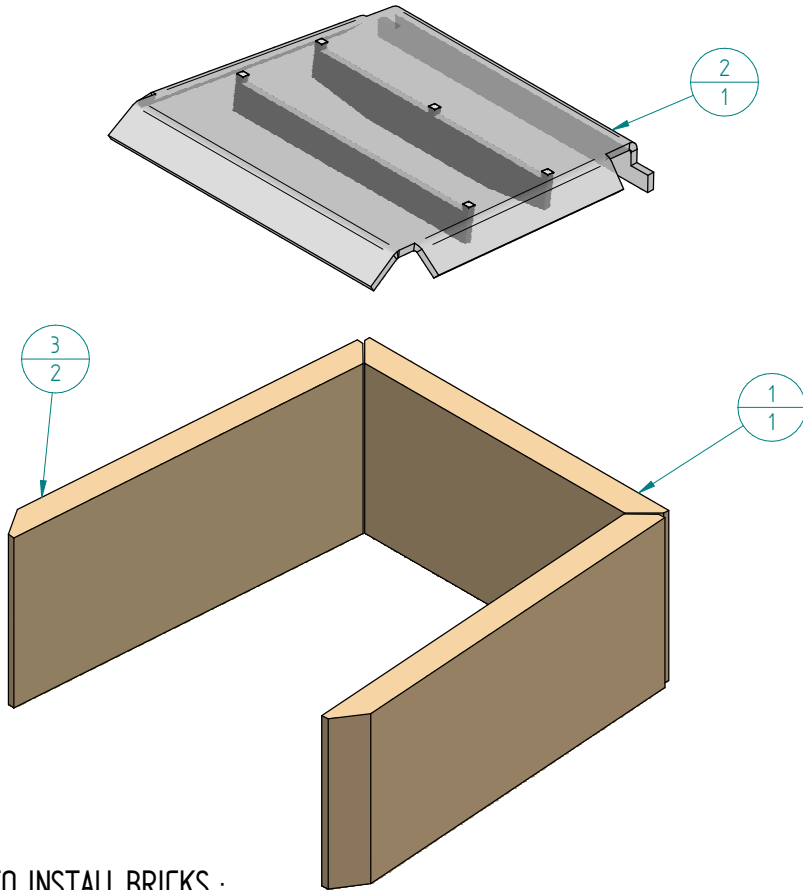


Item Number	Document Number	Title	Material	Quantity
1	581061	AKAROA REAR BRICK	FIRE BRICK	1
2	981004	AKAROA BAFFLE SUB-ASSY		1
3	581060	AKAROA SIDE BRICK	FIRE BRICK	2

AKAROA BRICK & BAFFLE LAYOUT

PART NUMBER : 581119			REVISION LEVEL : A
Amendment	Date	By	TOLERANCES : Decimal Places: 0 ± 0.5 0.0 ± 0.2 Angles Degrees: 0 ± 0.5°



STEPS TO INSTALL BRICKS :

1. SLIDE 1st SIDE BRICK WITH BIGGER CHAMFER TOWARDS FRONT OF FIREBOX REFER DETAIL - A & B. DETAIL B SHOWS BIGGER CHAMFER.
2. INSERT AND ENGAGE REAR BRICK USING CHAMFER ON THE REAR WALL
3. SLIDE 2nd SIDE BRICK WITH BIGGER CHAMFER TOWARDS FRONT OF FIREBOX
ALL BRICKS WILL INTERLOCK TOGETHER AND HELD IN PLACE WITH CHAMFERS.

NOTE - CHAMFER OF SIDE BRICKS ARE ASSYMETRIC
- LARGER CHAMFER SHOULD BE PLACED TOWARD DOOR FRONT OF FIREBOX