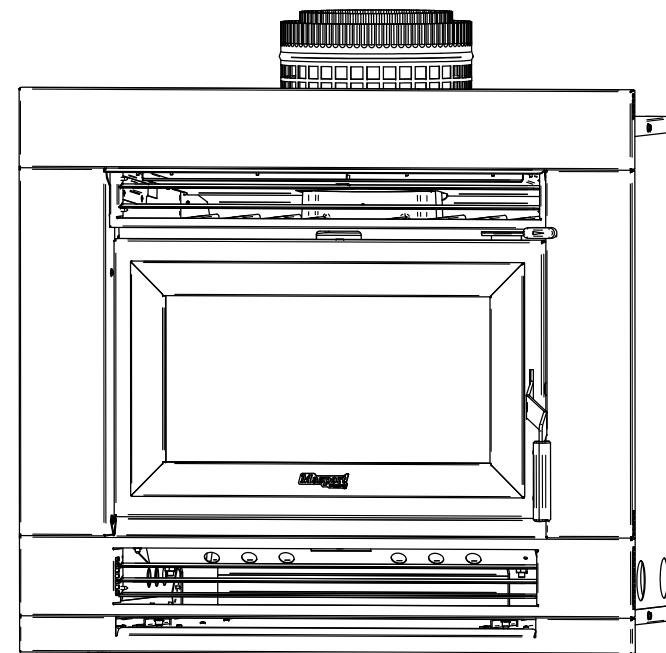
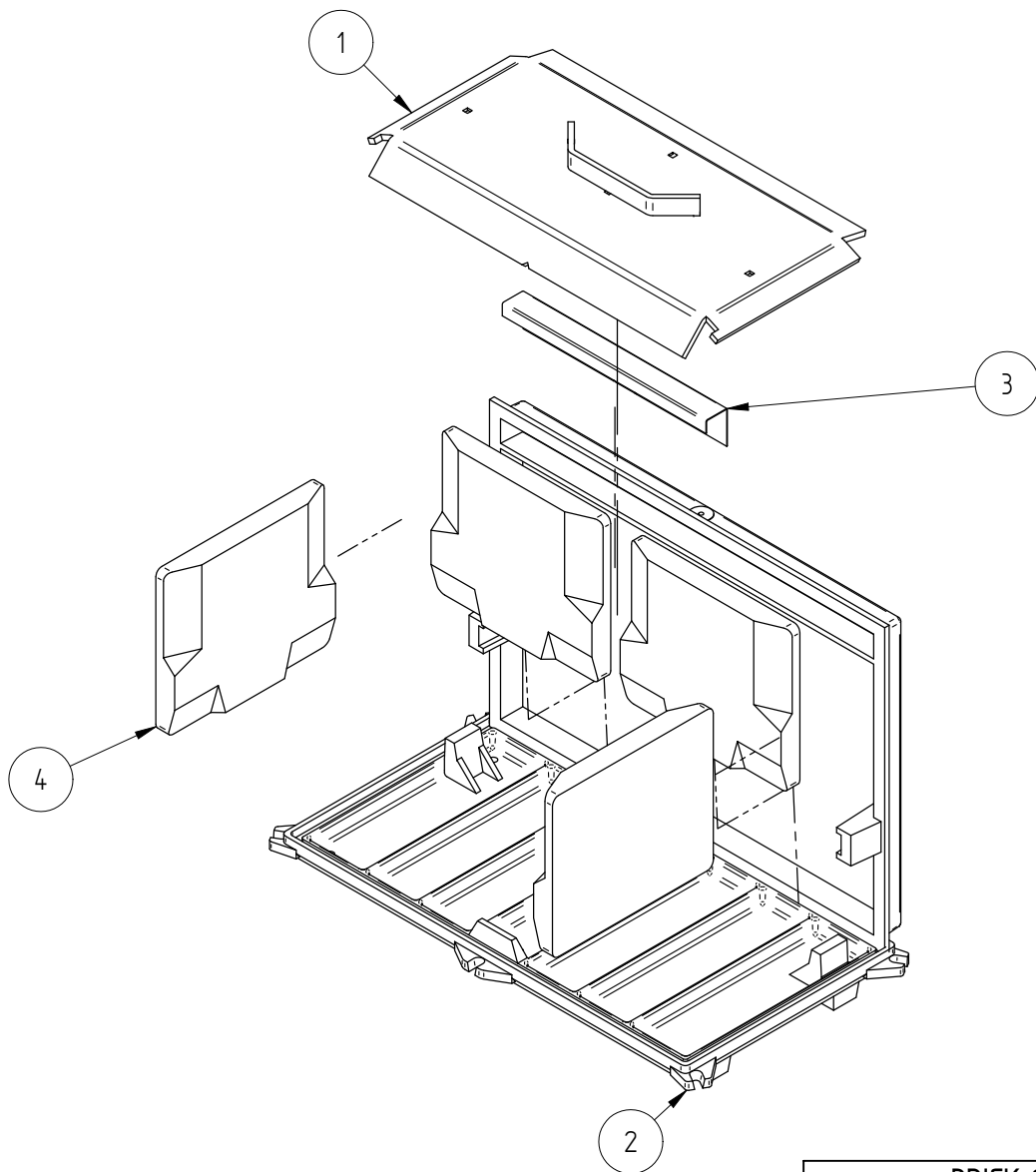


**I5000 & LE5000 BRICK INSTALLATION SEQUENCE –  
 MAKE SURE THE FLAT SIDE OF THE BRICKS AGAINST THE WALL OF THE FIREBOX.  
 (A) PLACE TWO BRICKS AGAINST THE REAR WALL OF THE FIREBOX..  
 (B) NEXT FIT THE RETAINER ON THE TOP OF THE BRICKS  
 (C) THEN PLACE ONE BRICK EACH SIDE OF THE FIREBOX.**



I5000 & LE5000 BRICK LAYOUT			
ITEM	PART ID	DESCRIPTIONS	QUANTITY
1	993642	I5000 BAFFLE ASM	1
2	993600	I5000 F/B ASSEMBLY	1
3	994258	CHANNEL BRICK RETAINER F2000	1
4	587807	BRICK-F/B, LE2, LE3, 09	4

**BRICK & BAFFLE LAYOUT FOR  
 I5000 & LE5000 HARDWOOD & SOFTWOOD MODELS**