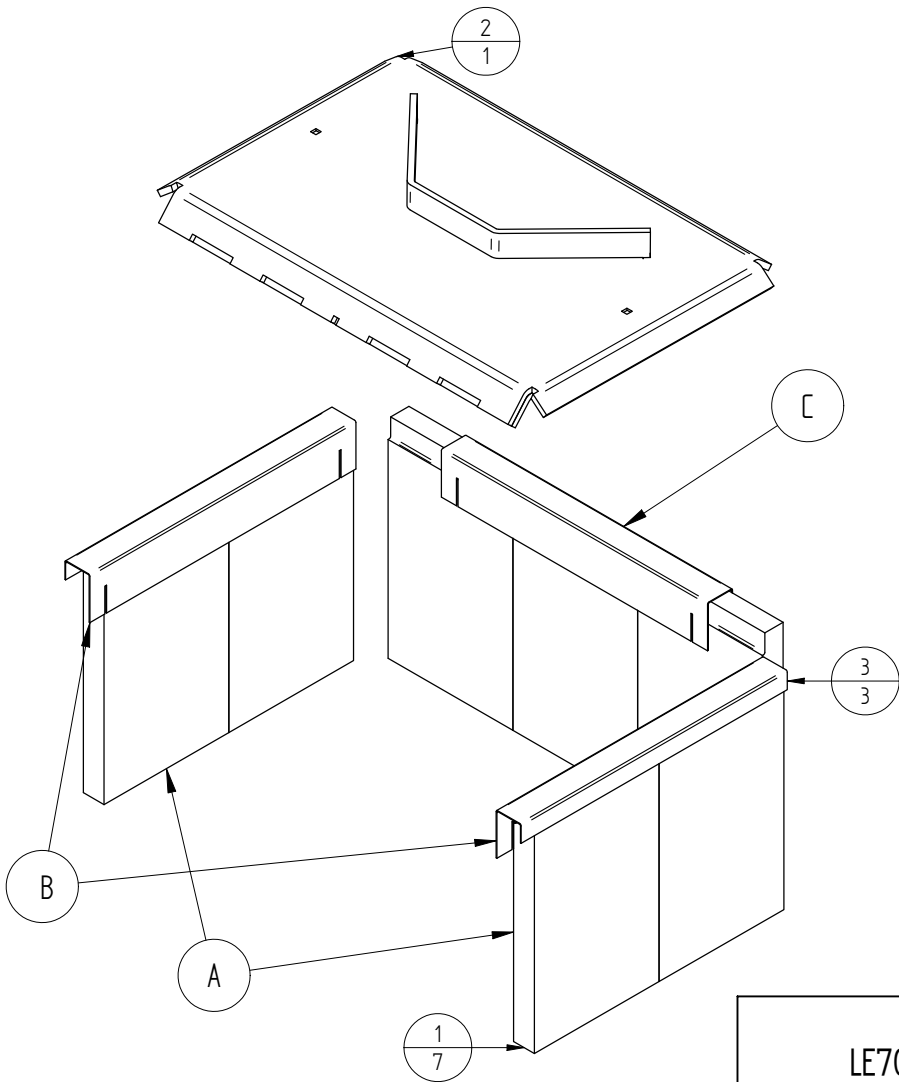


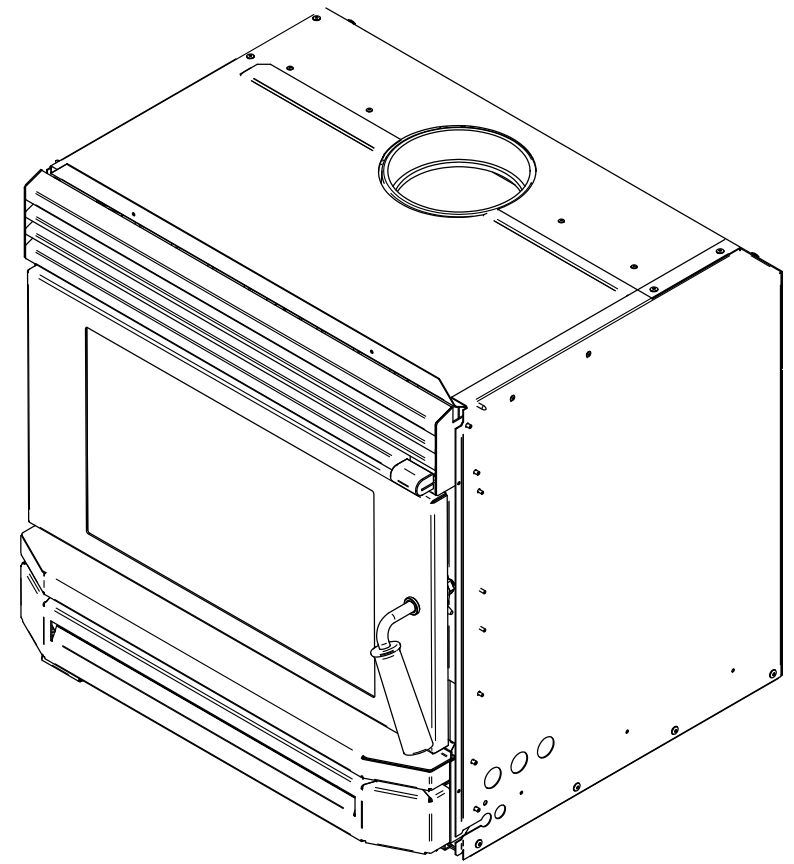
# LE7000 BRICK INSTALLATION SEQUENCE -

MAKE SURE THE SMALL STEP ON BRICK IS ON THE TOP AND FACING INSIDE THE FIREBOX.

- (A) INSTALL TWO BRICKS EACH SIDE OF THE FIREBOX. PLACE TO THE REAR AS MUCH AS POSSIBLE. THEN SLIDE LOCKING CHANNEL ON TO THE BRICKS.
- (B) THEN BEND THE SLOTTED TAB AT THE FRONT OF THE CHANNEL TO LOCK BRICKS IN POSITION.
- (C) NEXT FIT IN POSITION THE THREE REAR-SIDE BRICKS AT THE BACK OF THE FIREBOX. THEN SLIDE LOCKING CHANNEL CENTRALLY OVER THE THREE REAR BRICKS.



BRICK & BAFFLE LAYOUT FOR LE7000 HARDWOOD & SOFTWOOD MODELS



LE7000

LE7000 BRICK LAYOUT

ITEM	PART ID	DISRIPTION	QUANTITY
1	MIC00354	MIC BRICK	7
2	993436	BAFFLE ASSY STL F7000	1
3	987146	CHANNEL - BRICK RETAINER LE7000	3