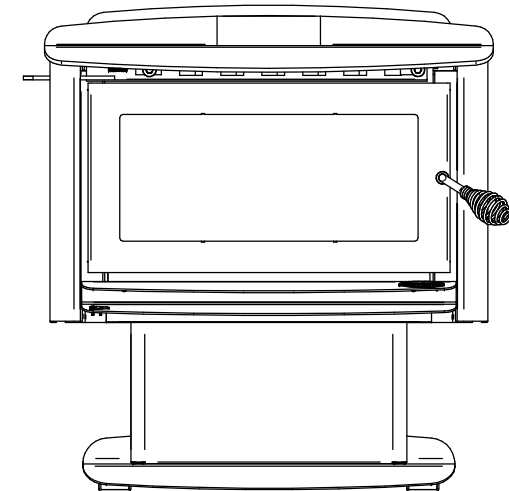
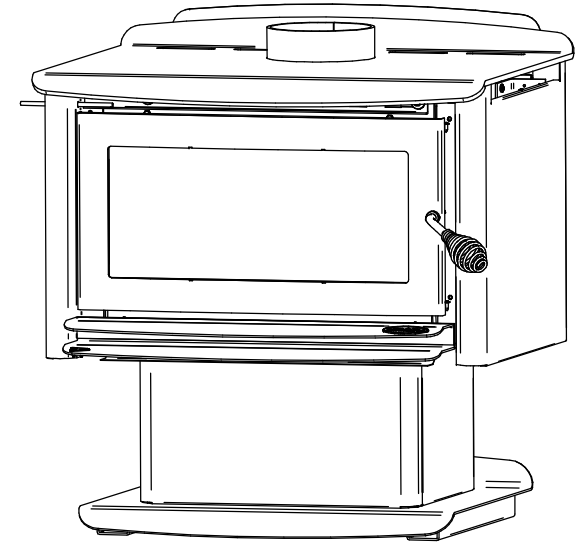
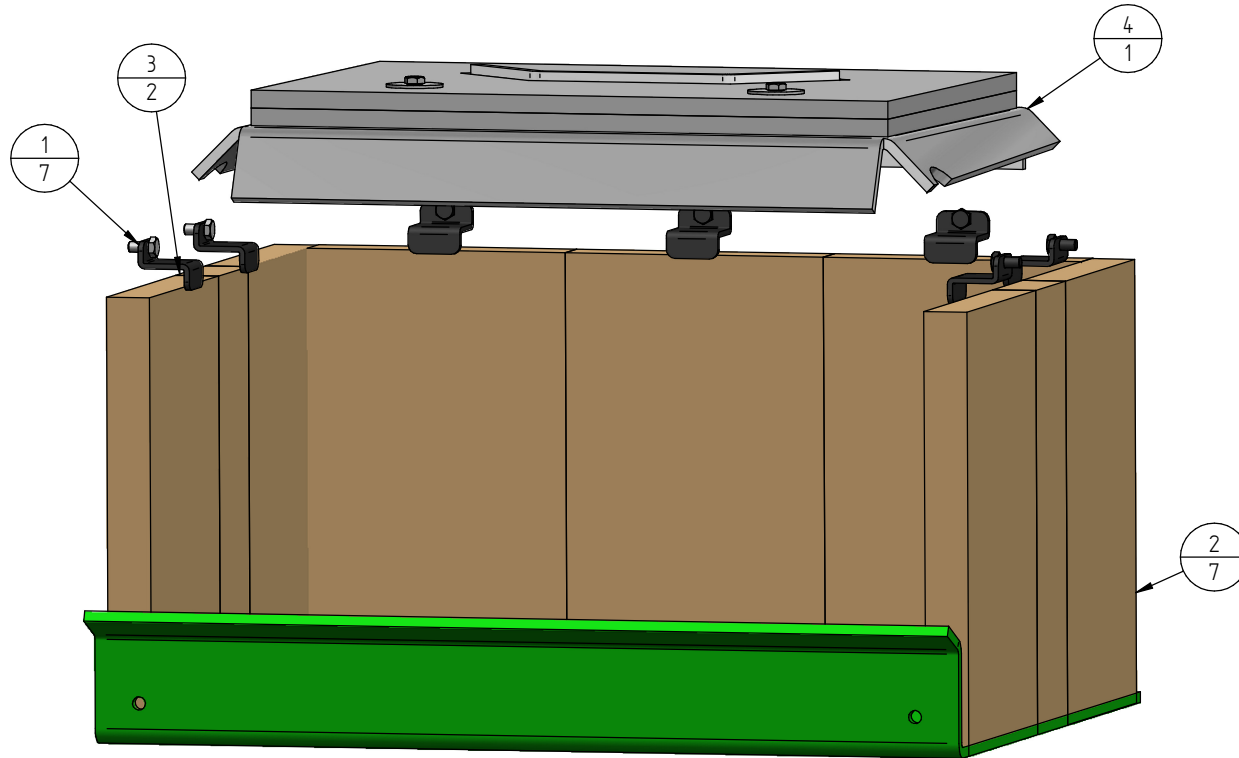


PART NUMBER : KRRBRICK			REVISION LEVEL :
Amendment	Date	By	TOLERANCES :
			Decimal Places: 0 ± 0.5
			0.0 ± 0.2
			Angles Degrees: 0 ± 5°

KRONOS CLEAN AIR BRICK LAYOUT			
Item	PART ID	Title	Quantity
1	HBA00118	HBA BRICK RETAINER	7
2	MIC00354	MIC BRICK	7
3	MIC00355	MIC BRICK HALF	2
4	KRRAC109	KRR BAFFLE ASSEMBLY	1

BRICK INSTALLATION:
(1) LOOSEN BRICK RETAINER SCREWS WITH 10MM SPANNER
(2) POSITION BRICKS AS PER BRICK LAYOUT
(3) TIGHTEN BRICK RETAINER SCREWS



BRICK & BAFFLE LAYOUT FOR KRONOS CLEAN AIR MODELS