

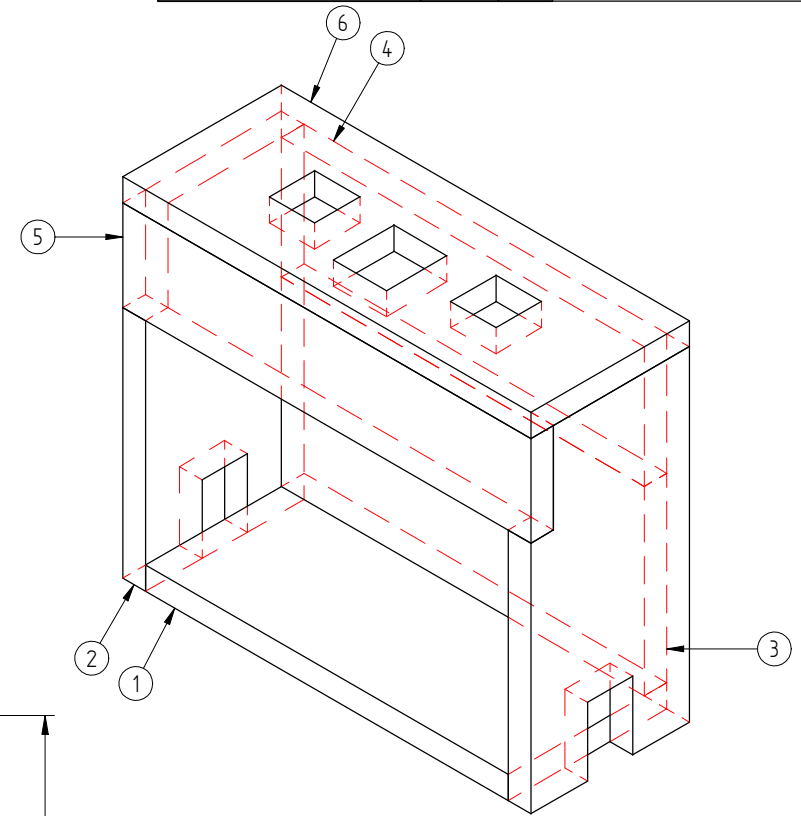
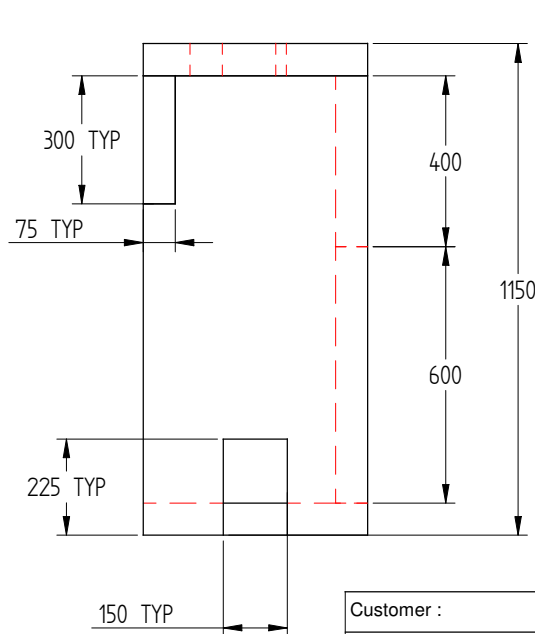
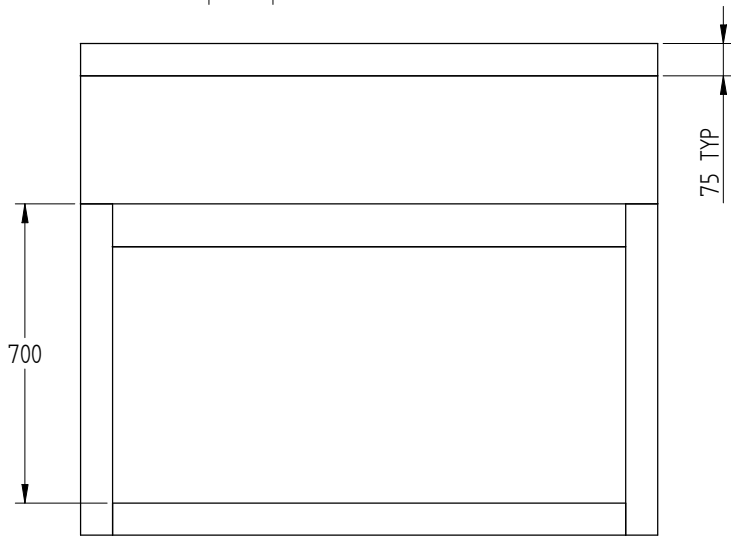
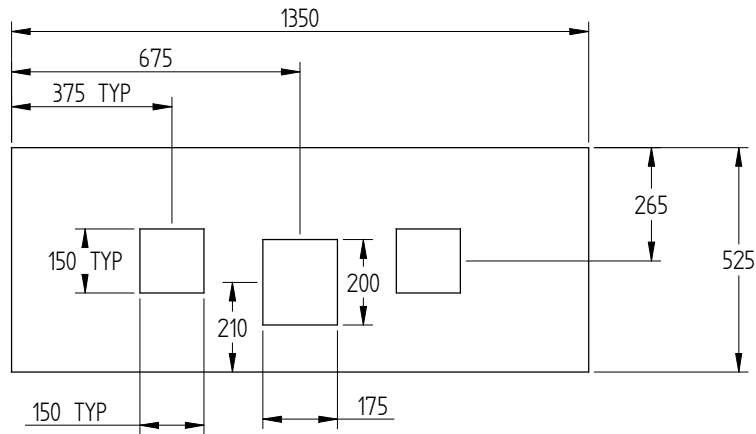
PART NUMBER : FAB900106

REVISION LEVEL :

Item Number	Document Number	Title	Material	Quantity
1	FAB500101	1200x525x75	Hebel	1
2	FAB500102	1075X525X75	Hebel	2
3	FAB500108	1200X600X75	Hebel	1
4	FAB500103	1200X400X75	Hebel	1
5	FAB500107	1350X300X75	Hebel	1
6	FAB500109	1350X525X75	Hebel	1

Amendment	Date	By

TOLERANCES :
 Decimal Places: 0 ± 0.5
 0.0 ± 0.2
 Angles Degrees: 0 ± 5°



Weight = 160.050 kg

GLEN DIMPLEX AUSTRALASIA LTD
 38 HARRIS ROAD, EAST TAMAKI, AUCKLAND, NEW ZEALAND
 Ph 09 274 8265, Fax 09 274 8472, Email : Eng_Office@glendimplex.co.nz

Customer :	Drawing No :	Drawn : EA	Date : 03/06/2008	Chk'd By :
Part Name: HEBEL ENCLOSURE RELAXED/SILENCE	Material : HEBEL 75MM THICK	Modified : ernesta	Date : 05/22/2008	Finish : Natural