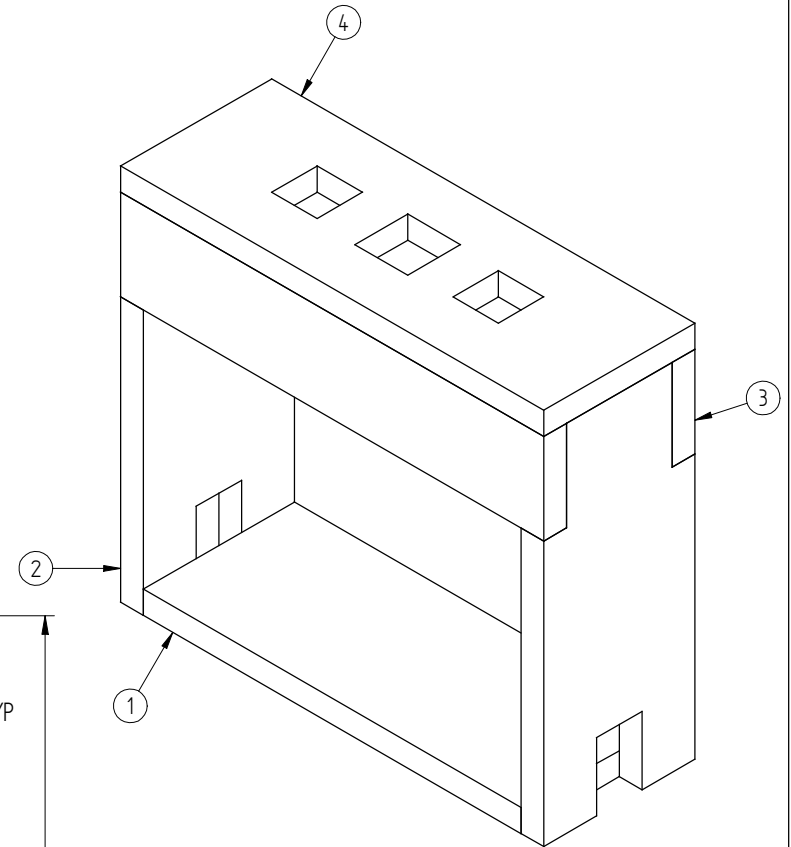
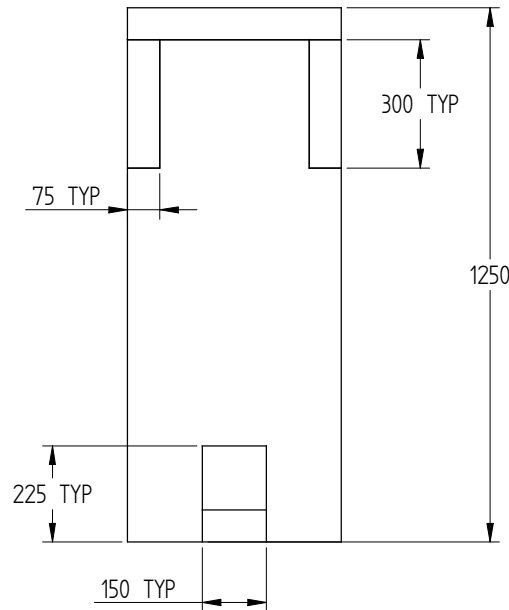
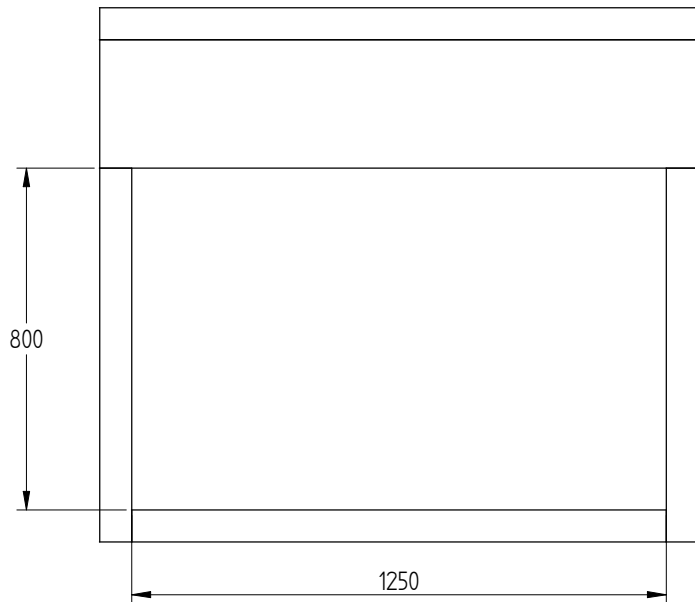
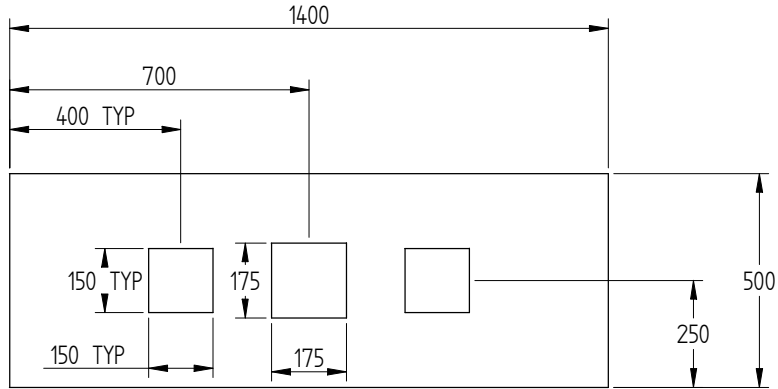


Item Number	Document Number	Title	Material	Quantity
1	FAB500113	1250X500X75	Hebel	1
2	FAB500112	1175X500X75	Hebel	2
3	FAB500106	1400X300X75	Hebel	2
4	FAB500111	1400X500X75	Hebel	1

PART NUMBER : FAB900109			REVISION LEVEL :
Amendment	Date	By	TOLERANCES :
			Decimal Places: 0 ± 0.5
			0.0 ± 0.2
			Angles Degrees: 0 ± 5°



Weight = 128.159 kg

GLEN DIMPLEX AUSTRALASIA LTD
 38 HARRIS ROAD, EAST TAMAKI, AUCKLAND, NEW ZEALAND
 Ph 09 274 8265, Fax 09 274 8472, Email : Eng_Office@glendimplex.co.nz

Customer :	Drawing No :	Drawn : EA	Date : 05/07/2008	Chk'd By :
		Modified : ernesta	Date : 05/22/2008	
Part Name: HEBEL ENCLOSURE GLANCE - FRAMELESS		Material : HEBEL 75MM THICK	Finish : Natural	