

This drawing is the Property of METAL FAB INDUSTRIES LTD. If dimensions are outside/outside unless otherwise stated

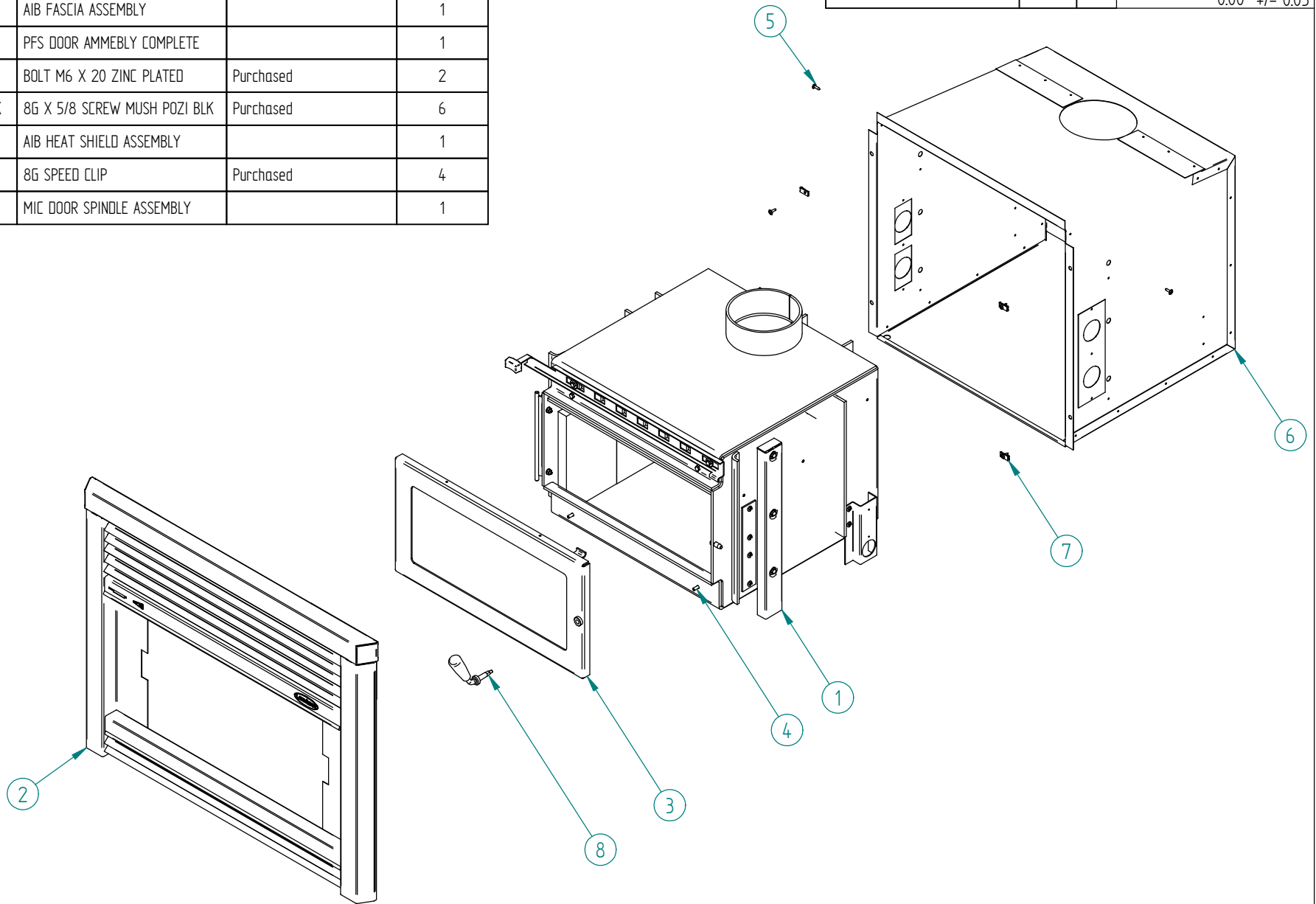
Item Number	Document Number	Title	Material	Quantity
1	AIB	AIB		1
2	AIB_FASCIA	AIB FASCIA ASSEMBLY		1
3	PFSAC730	PFS DOOR ASSEMBLY COMPLETE		1
4	F-M6X20-HB-SC-ZP	BOLT M6 X 20 ZINC PLATED	Purchased	2
5	F-8GX5-8-S-MS-PO-BLK	8G X 5/8 SCREW MUSH POZI BLK	Purchased	6
6	AIB_HEAT	AIB HEAT SHIELD ASSEMBLY		1
7	F-8G-SCL	8G SPEED CLIP	Purchased	4
8	MICAC373	MIC DOOR SPINDLE ASSEMBLY		1

PART NUMBER : AIB ASSY

REVISION LEVEL :

Amendment	Date	By

Tolerances Unless Specified  
 Decimal Places 0 +/- 0.5  
 0.0 +/- 0.1  
 0.00 +/- 0.05



Weight = 0.000 kg

**METAL FAB INDUSTRIES LTD**  
 38 HARRIS ROAD, EAST TAMAKI, AUCKLAND, NEW ZEALAND  
 Ph 09 274 8265, Fax 09 274 8472, Email : engdept@metalfab.co.nz

Customer : LOGAIRE	Drawing No:	Date : 29/06/05	Drawn By: DavidL	Checked By :
Part Name : AIB ASSEMBLY	Material :	Finish : Natural		