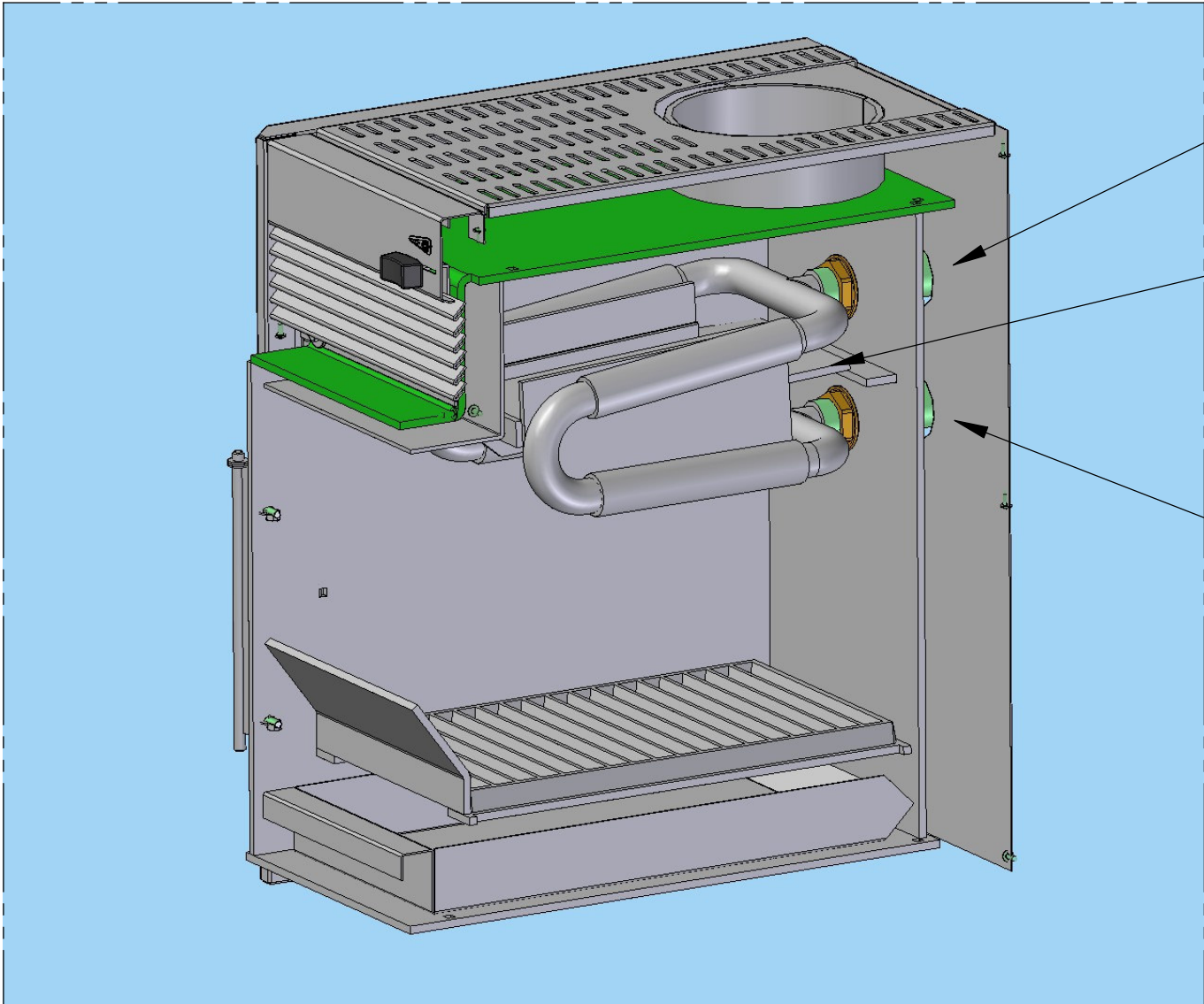


This drawing is the Property of GLEN DIMPLEX AUSTRALASIA LTD. All dimensions are outside/outside unless otherwise stated.

APOLLO WETBACK ASSEMBLY

| | | | | |
|-------------------------------|------|----|---|--|
| PART NUMBER : APL ASSY | | | REVISION LEVEL : | |
| Amendment | Date | By | TOLERANCES : Decimal Places: 0 ± 0.5 0.0 ± 0.2 Angles Degrees: 0 ± 5° | |
| | | | | |
| | | | | |
| | | | | |



WATER OUTLET

BAFFLE PLATE TO BE PLACED ON ANGLES IN THE MIDDLE OF WATER BOOSER

WATER INLET

Weight = 0.000 kg

GLEN DIMPLEX AUSTRALASIA LTD
 38 HARRIS ROAD, EAST TAMAKI, AUCKLAND, NEW ZEALAND
 Ph 09 274 8265, Fax 09 274 8472, Email : Eng_Office@glendimplex.co.nz

| | | | | |
|--------------------------|--------------|---------------------|------------------|------------------|
| Customer : LOGAIRE | Drawing No : | Drawn : LeonK | Date : 6/9/2006 | Chk'd By : |
| Part Name : APL ASSEMBLY | Material : | Modified : prakashs | Date : 7/23/2008 | Finish : Natural |