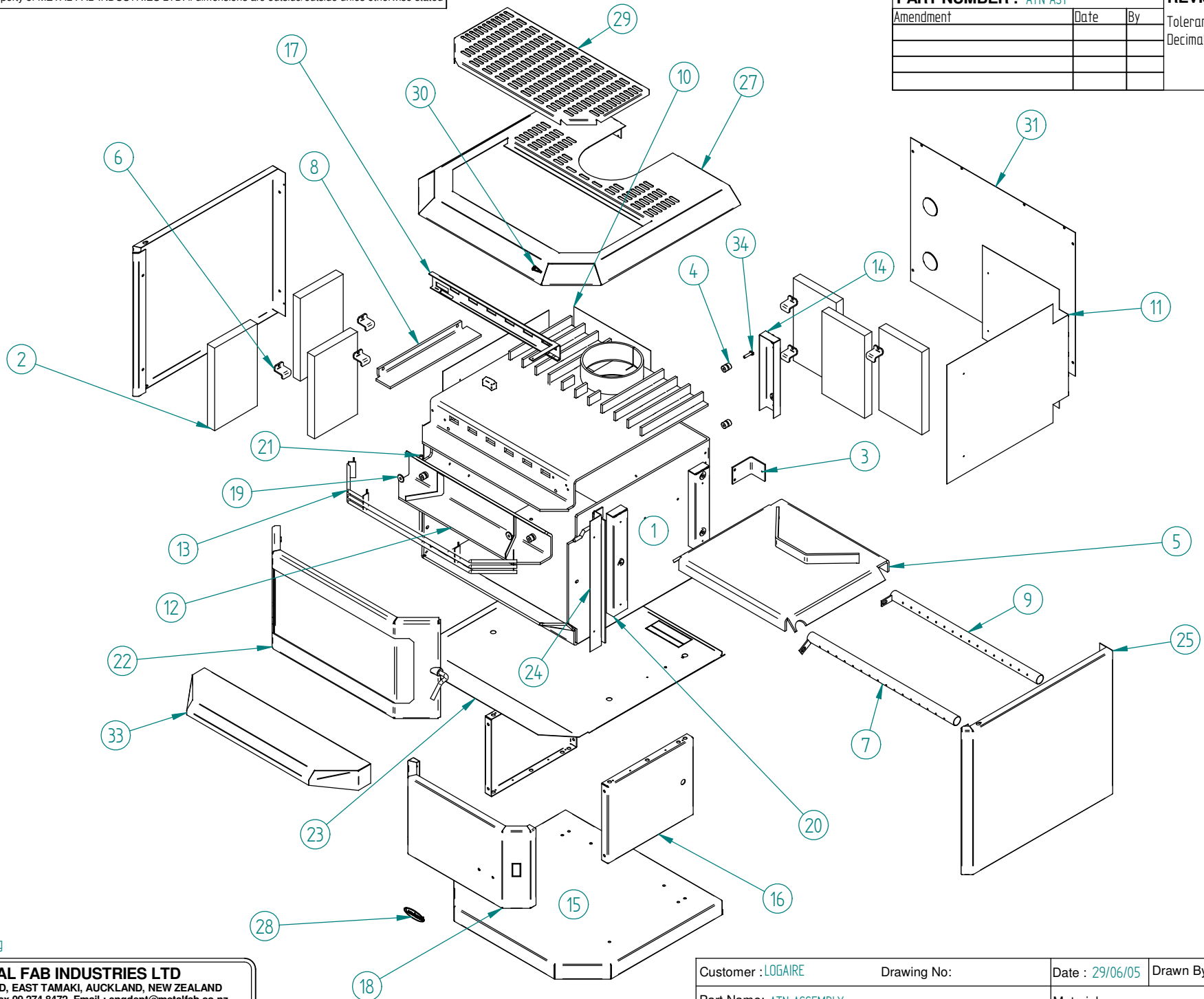


**PART NUMBER : ATN ASY**

**REVISION LEVEL :**

Amendment	Date	By

Tolerances Unless Specified  
 Decimal Places 0 +/- 0.5  
 0.0 +/- 0.1  
 0.00 +/- 0.05



Weight = 0.000 kg

**METAL FAB INDUSTRIES LTD**  
 38 HARRIS ROAD, EAST TAMAKI, AUCKLAND, NEW ZEALAND  
 Ph 09 274 8265, Fax 09 274 8472, Email : engdept@metalfab.co.nz

Customer : LOGAIRE	Drawing No:	Date : 29/06/05	Drawn By: DL	Checked By :
Part Name : ATN ASSEMBLY	Material :	Finish : Natural		

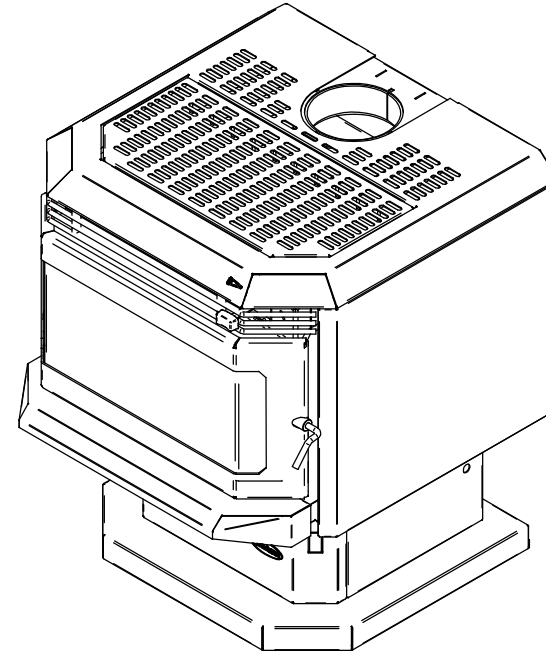
**PART NUMBER : ATN ASY**

**REVISION LEVEL :**

Amendment	Date	By

Tolerances Unless Specified  
 Decimal Places 0 +/- 0.5  
 0.0 +/- 0.1  
 0.00 +/- 0.05

Item Number	Document Number	Title	Material	Quantity
1*	ATNAC004	ATN FIREBOX ASSEMBLY		1
2	MIC00354	MIC BRICK	MASONRY	9
3*	ATN00130	ATN BODY MOUNT BRACKET	COLD ROLL 3.0MM	4
4	HBA00129	HBA AIR DEFLECTOR SPACER	16MM BMS FREE MACHINING	8
5	ATNAC109	ATN BAFFEL PLATE ASSEMBLY		1
6	HBA00118	HBA BRICK RETAINER	Hot Roll 3.0mm	9
7*	HBAAC138	HBA FRONT AIR BAR ASSEMBLY		1
8*	AIB00116	AIB BAFFLE SUPPORT	HOT ROLL 6.0MM	2
9*	ATNAC136	ATN REAR AIR BAR ASSEMBLY		1
10	ATN00039	ATN L/H INNER HEAT SHIELD	Zintec 0.8mm	1
11	ATN00040	ATN R/H INNER HEAT SHIELD	Zintec 0.8mm	1
12*	HBAAC102	HBA AIR DEFLECTOR COMPLETE		1
13	HBAAC017	HBA LOUVRE ASSEMBLY		1
14	HCA00164	CA SEC AIR CHANNEL	Cold Rolled 1.2mm	3
15*	ATN00025	ATN PEDESTAL BASE	ENAMEL 1.6MM	1
16*	ATN00178	ATN PEDESTAL SIDES	ENAMEL 1.6MM	2
17	ATN00036	ATN AIR SLIDE	Zintec 2.0 mm	1
18	ATN00177	ATN PEDESTAL FRONT	ENAMEL 1.6MM	1
19	MIC00083	LOGAIRE METRO AIR SLIDE SPACER	7/8" BMS FREE MACHINING	2
20	MIC00123	MICROS SEC AIR CHANNEL	Cold Rolled 1.2mm	2
21*	ATNAC190	ATN HINGE PLATE ASSEMBLY		1
22	ATNAC730	ATN FINISHED DOOR ASSEMBLY		1
23	ATN00176	ATN BASE HEAT SHIELD	Zintec 1.0mm	1
24*	ATN00009	ATN SIDE PANEL ANGLE	COLD ROLL 1.2MM	2
25	ATN00006	ATN SIDE PANEL	ENAMEL 1.2MM	2
26*	MIC00375	MIC AIR SLIDE HANDLE	PLASTIC	1
27*	ATNAC001	ATN TOP PANEL COMPLETE		1



Item Number	Document Number	Title	Material	Quantity
28	MIC00740	LOGAIRE BADGE	CAST	1
29*	ATN00003	ATN GRILL PANEL	ENAMEL 1.6MM	1
30	MIC00744	MIC HILO BADGE	CAST	1
31	ATN00012	ATN REAR HEAT SHIELD	ZINTEC 1.0MM	1
32*	MIC00135	MIC WET BACK COVER PLATE	COLD ROLL 3.0MM	1
33	HBAAC011	HBA ASH SHELF ASSEMBLY		1
34	FSBOLTM6X30ZP	BOLT M6 X 30 ZINC PLATED	Purchased	1

Weight = 0.000 kg

**METAL FAB INDUSTRIES LTD**  
 38 HARRIS ROAD, EAST TAMAKI, AUCKLAND, NEW ZEALAND  
 Ph 09 274 8265, Fax 09 274 8472, Email : engdept@metalfab.co.nz

Customer : LOGAIRE	Drawing No:	Date : 29/06/05	Drawn By: DL	Checked By :
Part Name : ATN ASSEMBLY		Material :	Finish : Natural	