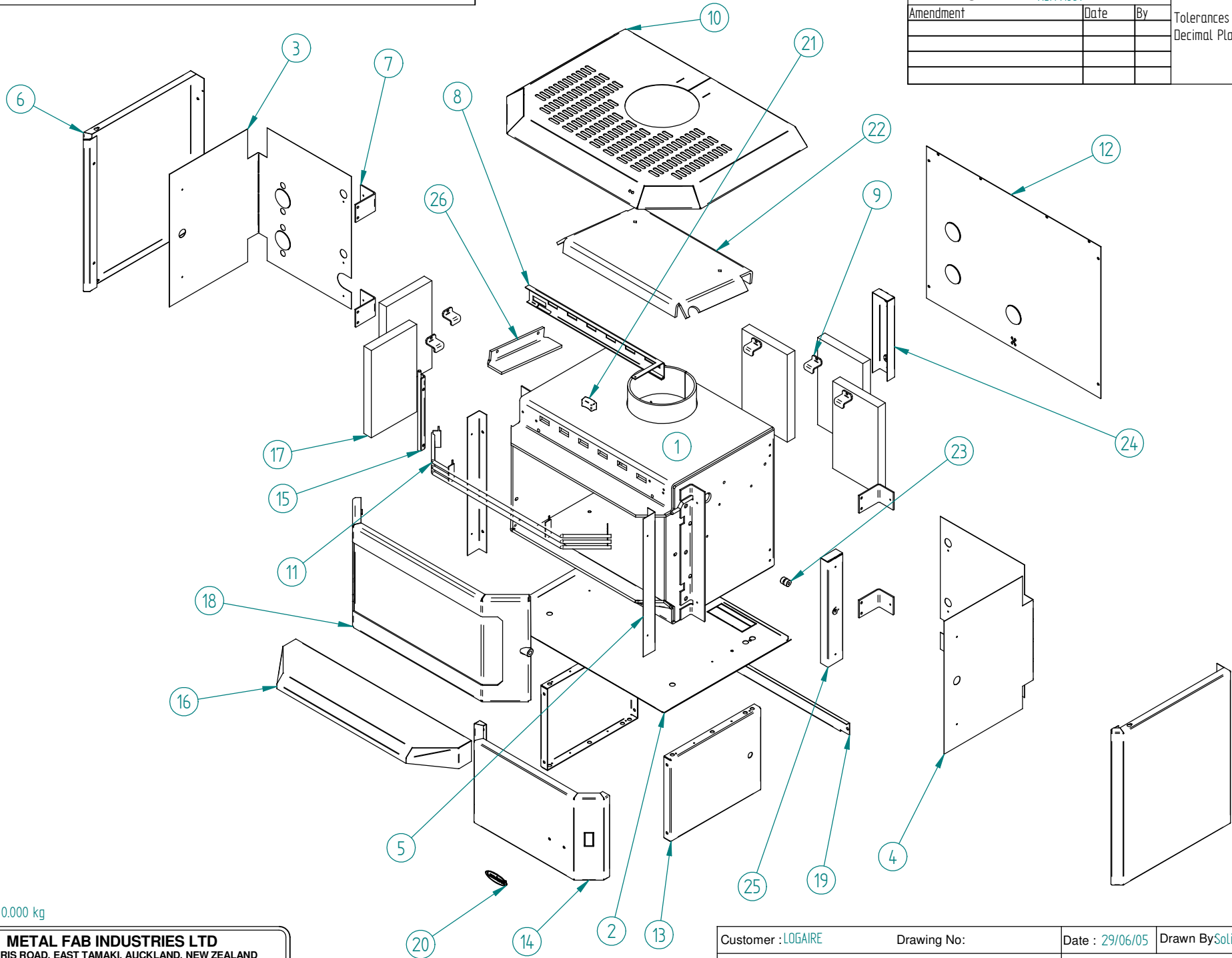


Amendment	Date	By

Tolerances Unless Specified
 Decimal Places 0 +/- 0.5
 0.0 +/- 0.1
 0.00 +/- 0.05



Weight = 0.000 kg

METAL FAB INDUSTRIES LTD
 38 HARRIS ROAD, EAST TAMAKI, AUCKLAND, NEW ZEALAND
 Ph 09 274 8265, Fax 09 274 8472, Email : engdept@metalfab.co.nz

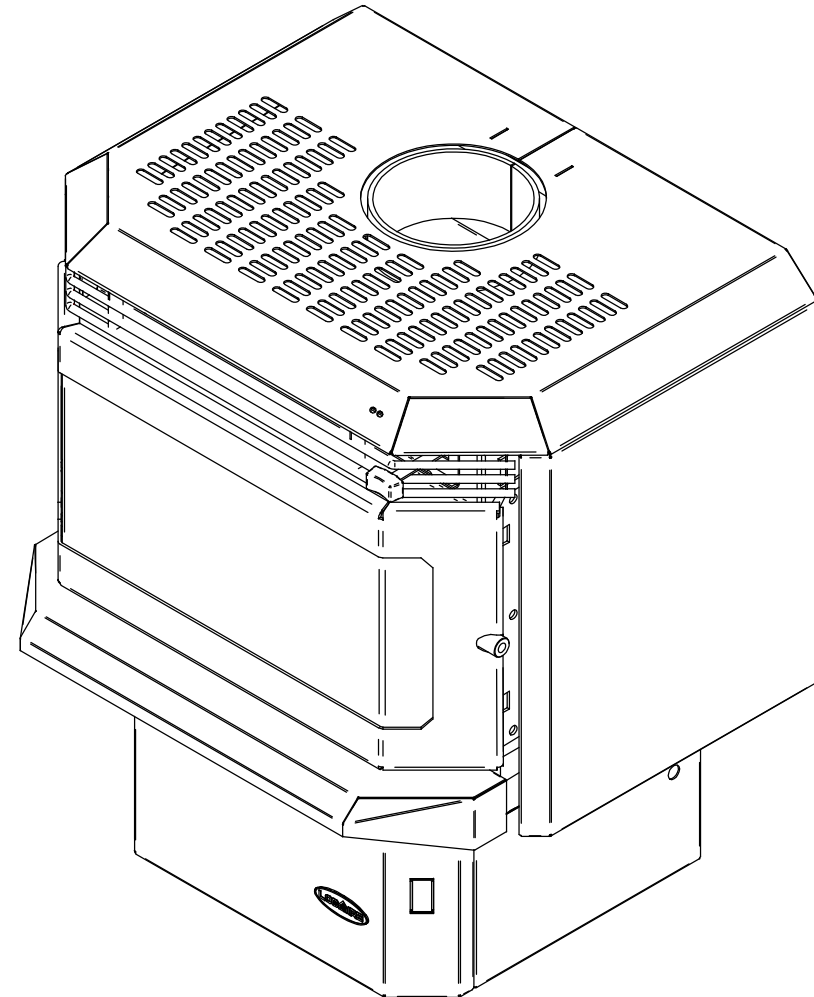
Customer : LOGAIRE	Drawing No:	Date : 29/06/05	Drawn By: Solid	Checked By :
Part Name : HBA ASSEMBLY		Material :	Finish : Natural	

Item Number	Document Number	Title	Material	Quantity
1*	HBAAC004	HBA FIREBOX ASSEMBLY		1
2	HBA00176	HBA BASE HEAT SHIELD	Zintec 1.0 mm	1
3	HBA00039	HBA INNER HEAT SHIELD	Zintec 0.8mm	1
4	HBA00040	HBA R/H INNER HEAT SHIELD	Zintec 0.8mm	1
5*	ATN00009	ATN SIDE PANEL ANGLE	COLD ROLL 1.2MM	2
6	HBA00006	HBA SIDE PANEL	Enamel 1.6mm	2
7	ATN00130	ATN BODY MOUNT BRACKET	COLD ROLL 3.0MM	4
8	ATN00036	ATN AIR SLIDE	Zintec 2.0 mm	1
9	HBA00118	HBA BRICK RETAINER	Hot Roll 3.0mm	7
10	HBAAC001	HBA TOP PANEL COMPLETE		1
11	HBAAC017	HBA LOUVRE ASSEMBLY		1
12	HBA00012	HBA REAR HEAT SHILED	ZINTEC 1.0MM	1
13	ATN00178	ATN PEDESTAL SIDES	ENAMEL 1.6MM	2
14	ATN00177	ATN PEDESTAL FRONT	ENAMEL 1.6MM	1
15	ATNAC190	ATN HINGE PLATE ASSEMBLY		1
16	HBAAC011	HBA ASH SHELF ASSEMBLY		1
17	MIC00354	MIC BRICK	MASONRY	7
18	HBAAC730	HBA FINISHED DOOR ASSEMBLY		1
19	HBA00179	HBA PEDESTAL STIFFENER	ZINTEC 1.2MM	1
20	MIC00740	LOGAIRE BADGE	CAST	1
21	MIC00375	MIC AIR SLIDE HANDLE	PLASTIC	1
22	HCA00109	HCA BAFFLE PLATE	Hot Rolled 6.0mm	1
23	HBA00129	HBA AIR DEFLECTOR SPACER	16MM BMS FREE MACHINING	2
24*	HCA00164	CA SEC AIR CHANNEL	Cold Rolled 1.2mm	1
25	MIC00123	MICROS SEC AIR CHANNEL	Cold Rolled 1.2mm	2
26*	HBA00116	HBA BAFFLE SUPPORT	Hot Roll 6.0mm	2

Weight = 0.000 kg

METAL FAB INDUSTRIES LTD
 38 HARRIS ROAD, EAST TAMAKI, AUCKLAND, NEW ZEALAND
 Ph 09 274 8265, Fax 09 274 8472, Email : engdept@metalfab.co.nz

PART NUMBER : HBA ASSY			REVISION LEVEL :	
Amendment	Date	By	Tolerances Unless Specified	
			Decimal Places 0 +/- 0.5	
			0.0 +/- 0.1	
			0.00 +/- 0.05	



Customer : LOGAIRE	Drawing No:	Date : 29/06/05	Drawn By: Solid	Checked By :
Part Name: HBA ASSEMBLY		Material :	Finish : Natural	