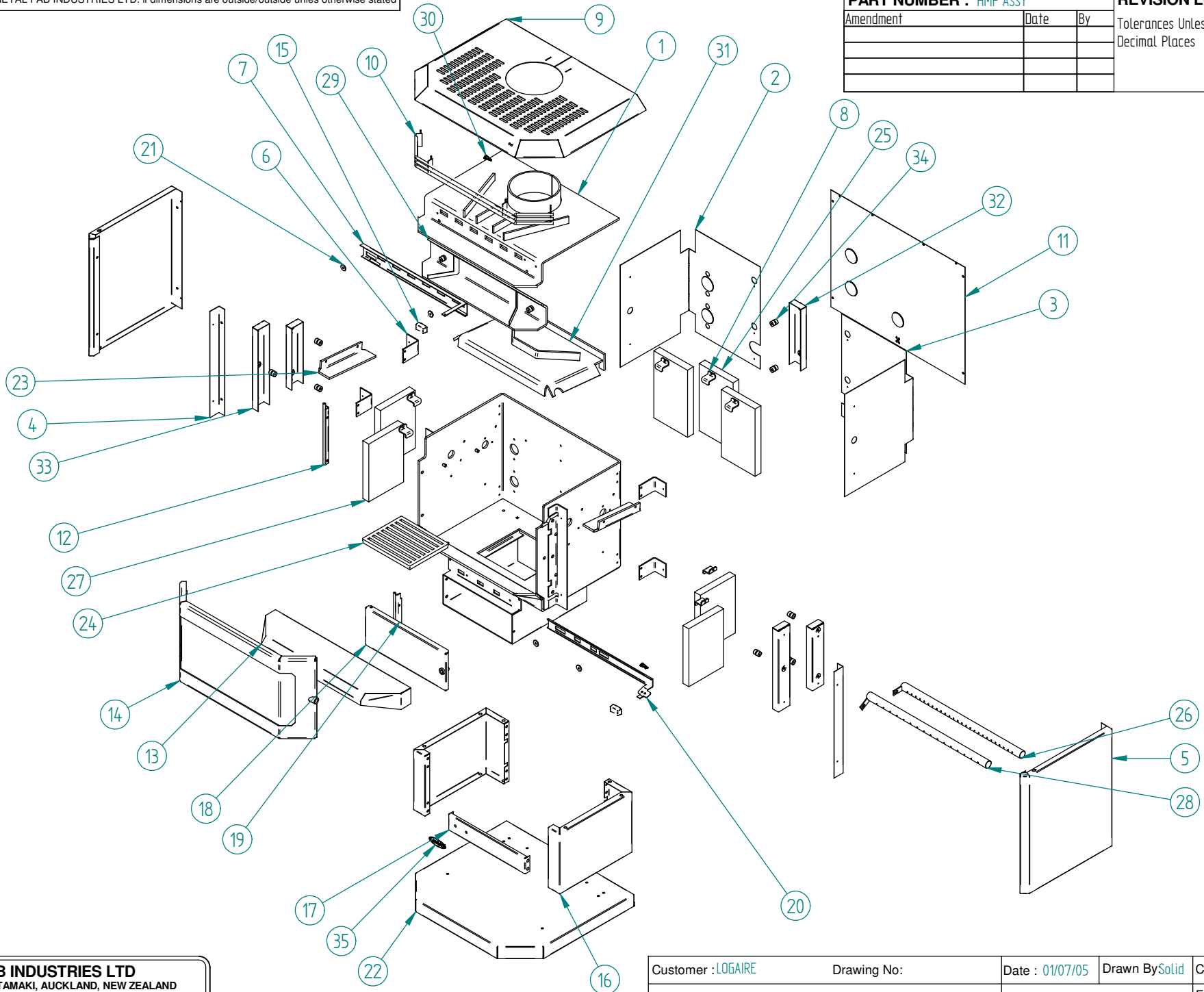


PART NUMBER : HMF ASSY

REVISION LEVEL :

Amendment	Date	By

Tolerances Unless Specified
 Decimal Places 0 +/- 0.5
 0.0 +/- 0.1
 0.00 +/- 0.05



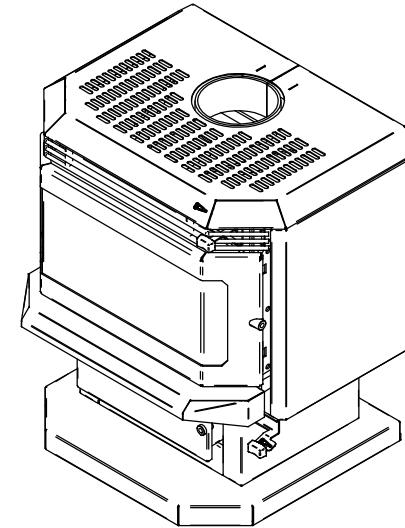
Weight = 0.000 kg

METAL FAB INDUSTRIES LTD
 38 HARRIS ROAD, EAST TAMAKI, AUCKLAND, NEW ZEALAND
 Ph 09 274 8265, Fax 09 274 8472, Email : engdept@metalfab.co.nz

Customer : LOGAIRE	Drawing No:	Date : 01/07/05	Drawn By: Solid	Checked By :
Part Name : HMF ASSEMBLY	Material :	Finish : Natural		

PART NUMBER : HMF ASSY			REVISION LEVEL :
Amendment	Date	By	Tolerances Unless Specified
			Decimal Places 0 +/- 0.5
			0.0 +/- 0.1
			0.00 +/- 0.05

Item Number	Document Number	Title	Material	Quantity
1	HMFAC004	HMF FIRE BOX ASSY		1
2	HBA00039	HBA INNER HEAT SHIELD	Zintec 0.8mm	1
3	HBA00040	HBA R/H INNER HEAT SHIELD	Zintec 0.8mm	1
4	ATN00009	ATN SIDE PANEL ANGLE	COLD ROLL 1.2MM	2
5	HBA00006	HBA SIDE PANEL	Enamel 1.6mm	2
6	ATN00130	ATN BODY MOUNT BRACKET	COLD ROLL 3.0MM	4
7	ATN00036	ATN AIR SLIDE	Zintec 2.0 mm	1
8	HBA00118	HBA BRICK RETAINER	Hot Roll 3.0mm	7
9	HBAAC001	HBA TOP PANEL COMPLETE		1
10	HBAAC017	HBA LOUVRE ASSEMBLY		1
11	HBA00012	HBA REAR HEAT SHILED	ZINTEC 1.0MM	1
12	ATNAC190	ATN HINGE PLATE ASSEMBLY		1
13	HBAAC011	HBA ASH SHELF ASSEMBLY		1
14	HBAAC730	HBA FINISHED DOOR ASSEMBLY		1
15	MIC00375	MIC AIR SLIDE HANDLE	PLASTIC	2
16	PMF00178	PMF PEDESTAL SIDE	ENAMEL 1.2MM	2
17	PMF00179	PMF PEDESTAL FRONT	ENAMEL 1.2MM	1
18	PMFAC046	PMF ASH DOOR COMPLETE		1
19	PMFAC049	PMF ASH DOOR HINGE		1
20	PMF00051	PMF ASH BOX AIR SLIDE	COLD ROLL 2.0MM	1
21	MIC00083	LOGAIRE METRO AIR SLIDE SPACER	7/8" BMS FREE MACHINING	4
22	ATN00025	ATN PEDESTAL BASE	ENAMEL 1.6MM	1
23	HBA00116	HBA BAFFLE SUPPORT	Hot Roll 6.0mm	2
24	PMF00743	MULTI FUEL GRATE	APL00743	1
25	HMF00354	HMF BRICK - CERAMIC	CERAMIC	3



Item Number	Document Number	Title	Material	Quantity
26	HMFAC136	HMF REAR AIR BAR ASSEMBLY		1
27	HMF00355	HMF BRICK REAR - CERAMIC	CERAMIC	4
28	HBAAC138	HBA FRONT AIR BAR ASSEMBLY		1
29	HBAAC102	HBA AIR DEFLECTOR COMPLETE		1
30	MIC00744	MIC HILO BADGE	CAST	2
31	HCAAC109	HCA BAFFLE ASSY		1
32	HCA00164	CA SEC AIR CHANNEL	Cold Rolled 1.2mm	3
33	MIC00123	MICROS SEC AIR CHANNEL	Cold Rolled 1.2mm	2
34	HBA00129	HBA AIR DEFLECTOR SPACER	16MM BMS FREE MACHINING	8
35	MIC00740	LOGAIRE BADGE	CAST	1

Weight = 0.000 kg

METAL FAB INDUSTRIES LTD
 38 HARRIS ROAD, EAST TAMAKI, AUCKLAND, NEW ZEALAND
 Ph 09 274 8265, Fax 09 274 8472, Email : engdept@metalfab.co.nz

Customer : LOGAIRE	Drawing No:	Date : 01/07/05	Drawn By: Solid	Checked By :
Part Name : HMF ASSEMBLY		Material :	Finish : Natural	