

This drawing is the Property of METAL FAB INDUSTRIES LTD. All dimensions are outside/outside unless otherwise stated

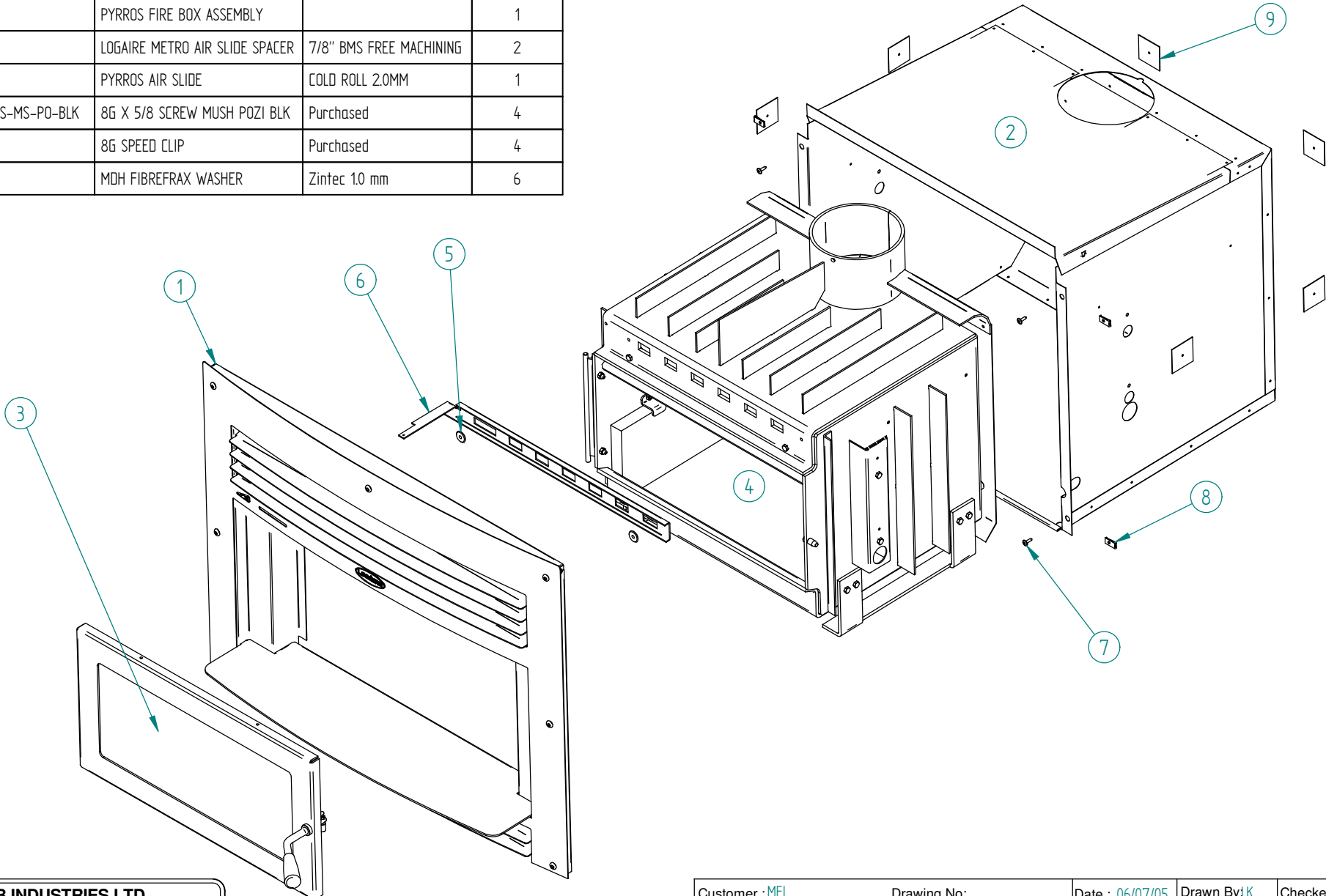
Item Number	Document Number	Title	Material	Quantity
1	PYRFASCIA	PYRROS FASCIA		1
2	PYR HEAT	PYRROS HEAT SHIELD ASSEMBLY		1
3	PYRAC730	PYRROS DOOR ASSEMBLY		1
4	PYRAC004	PYRROS FIRE BOX ASSEMBLY		1
5	MIC00083	LOGAIRE METRO AIR SLIDE SPACER	7/8" BMS FREE MACHINING	2
6	PYR00036	PYRROS AIR SLIDE	COLD ROLL 2.0MM	1
7	F-8GX5_8-S-MS-PO-BLK	8G X 5/8 SCREW MUSH POZI BLK	Purchased	4
8	F-8G-SCL	8G SPEED CLIP	Purchased	4
9	MDH00065	MDH FIBREFRAX WASHER	Zintec 1.0 mm	6

PART NUMBER : PYRASSY

REVISION LEVEL :

Amendment	Date	By

Tolerances Unless Specified  
 Decimal Places 0 +/- 0.5  
 0.0 +/- 0.1  
 0.00 +/- 0.05



Weight = 0.000 kg

**METAL FAB INDUSTRIES LTD**  
 38 HARRIS ROAD, EAST TAMAKI, AUCKLAND, NEW ZEALAND  
 Ph 09 274 8265, Fax 09 274 8472, Email : engdept@metalfab.co.nz

Customer : MFI	Drawing No:	Date : 06/07/05	Drawn By: LK	Checked By :
Part Name : PYRROS INBUILT ASSEMBLY		Material :	Finish : Natural	