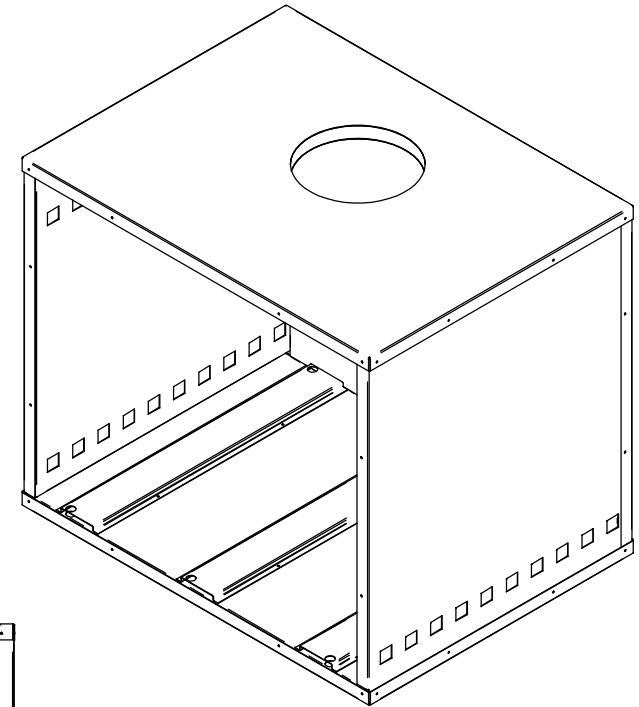
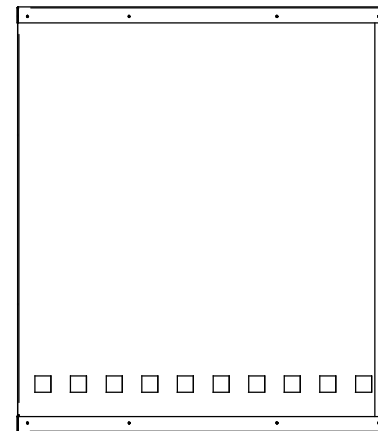
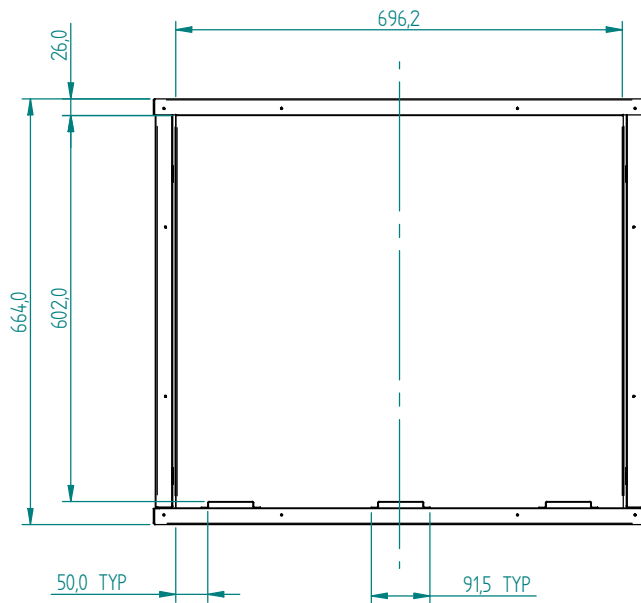
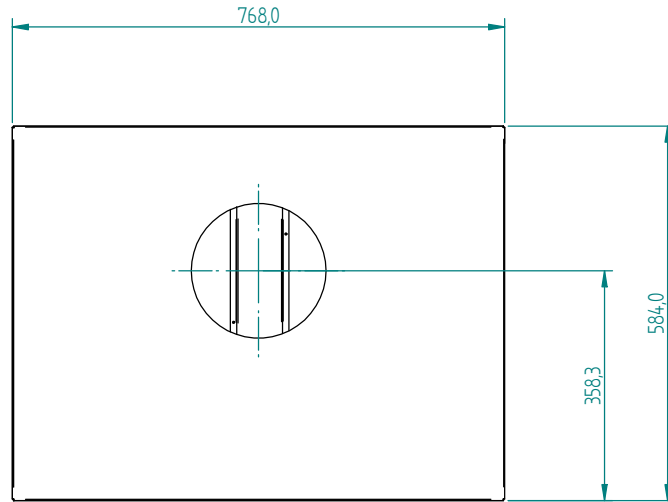


PART NUMBER : PYZ_ASSY

REVISION LEVEL :

Amendment	Date	By

Tolerances Unless Specified
 Decimal Places 0 +/- 0.5
 0.0 +/- 0.1
 0.00 +/- 0.05



Weight = 31.769 kg

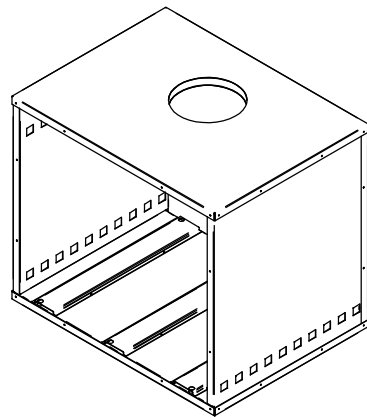
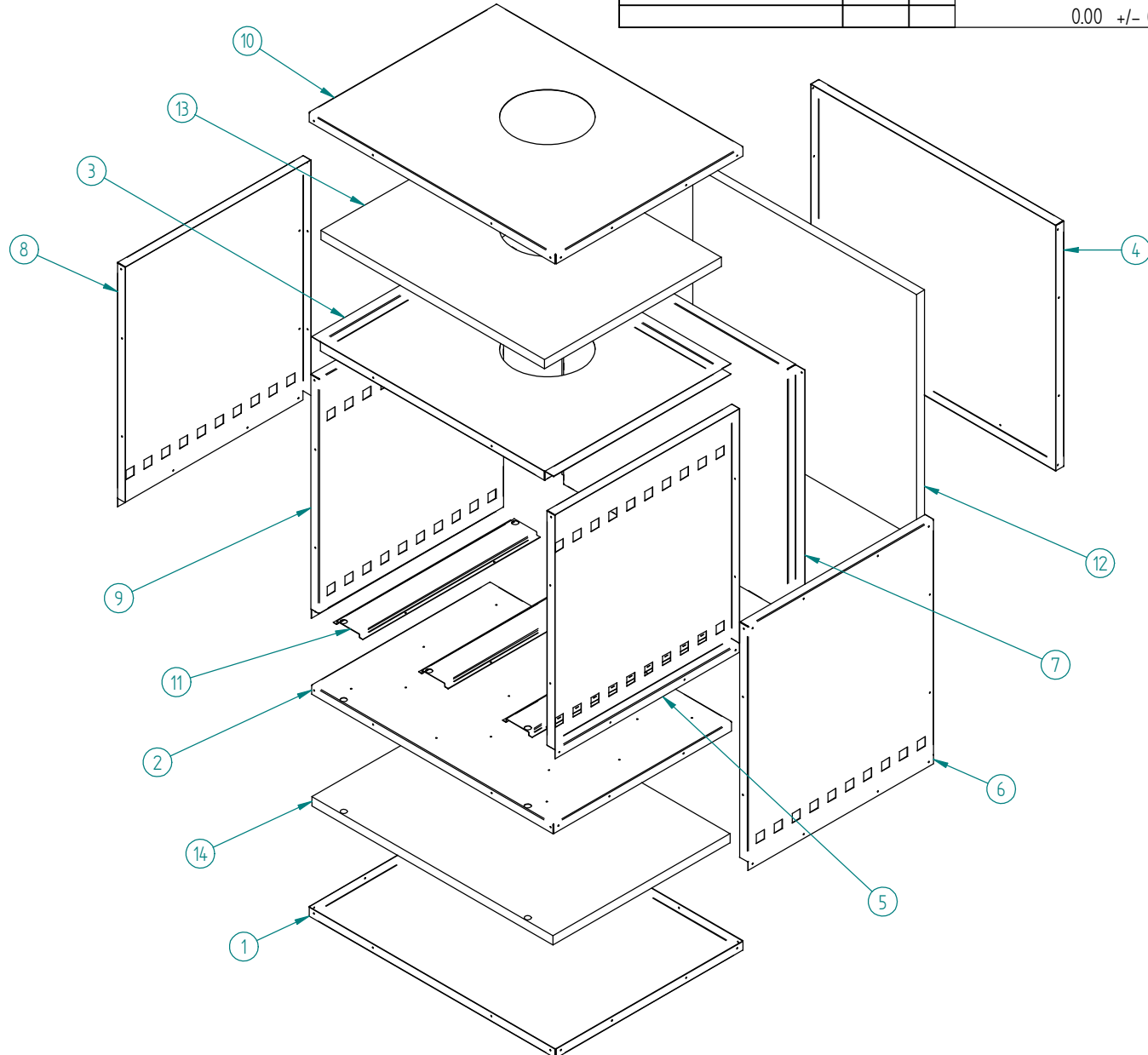
METAL FAB INDUSTRIES LTD
 38 HARRIS ROAD, EAST TAMAKI, AUCKLAND, NEW ZEALAND
 Ph 09 274 8265, Fax 09 274 8472, Email : engdept@metalfab.co.nz

Customer : LOGAIRE	Drawing No:	Drawn : simonn	Date : 20/01/2006	Chk'd By :
Part Name: PYZ CABINET	Material :	Modified : davidl	Date : 24/02/2006	Finish : Natural

Item Number	Document Number	Title	Material	Quantity
1	PYZ00001	PYRE ZC BOTTOM OUTER	GALV. 1.0mm	1
2	PYZ00002	BOTTOM INNER	GALV. 1.0mm	1
3*	PYZ00012	TOP INNER	GALV. 1.0mm	1
4	PYZ00005	BACK OUTER	GALV. 1.0mm	1
5*	PYZ00008	SIDE PANEL R/H INNER	GALV. 1.0mm	1
6	PYZ00007	R/H SIDE OUTER PANEL	GALV. 1.0mm	1
7	PYZ00006	BACK INNER	GALV. 1.0mm	1
8	PYZ00003	SIDE OUTER	GALV. 1.0mm	1
9*	PYZ00004	SIDE INNER	GALV. 1.0mm	1
10	PYZ00011	TOP OUTER	GALV. 1.0mm	1
11*	PYZ00013	SUPPORT CHANNEL	GALV. 1.0mm	3
12	PYZ00450	LOGAIRE ZERO REAR BLANKET	FIBRE FRAX	1
13*	PYZ00348	LOGAIRE ZERO TOP BLANKET	FIBRE FRAX	1
14	PYZ00451	LOGAIRE ZERO BASE BLANKET	FIBRE FRAX	1

Amendment	Date	By

Tolerances Unless Specified
 Decimal Places 0 +/- 0.5
 0.0 +/- 0.1
 0.00 +/- 0.05



Weight = 31.769 kg

METAL FAB INDUSTRIES LTD
 38 HARRIS ROAD, EAST TAMAKI, AUCKLAND, NEW ZEALAND
 Ph 09 274 8265, Fax 09 274 8472, Email : engdept@metalfab.co.nz

Customer : LOGAIRE	Drawing No:	Drawn : simonn	Date : 20/01/2006	Chk'd By :
Part Name : PYZ CABINET	Material :	Modified : david	Date : 24/02/2006	Finish : Natural