

# Masport® Heating

## INSERT & INBUILT WOOD FIRES

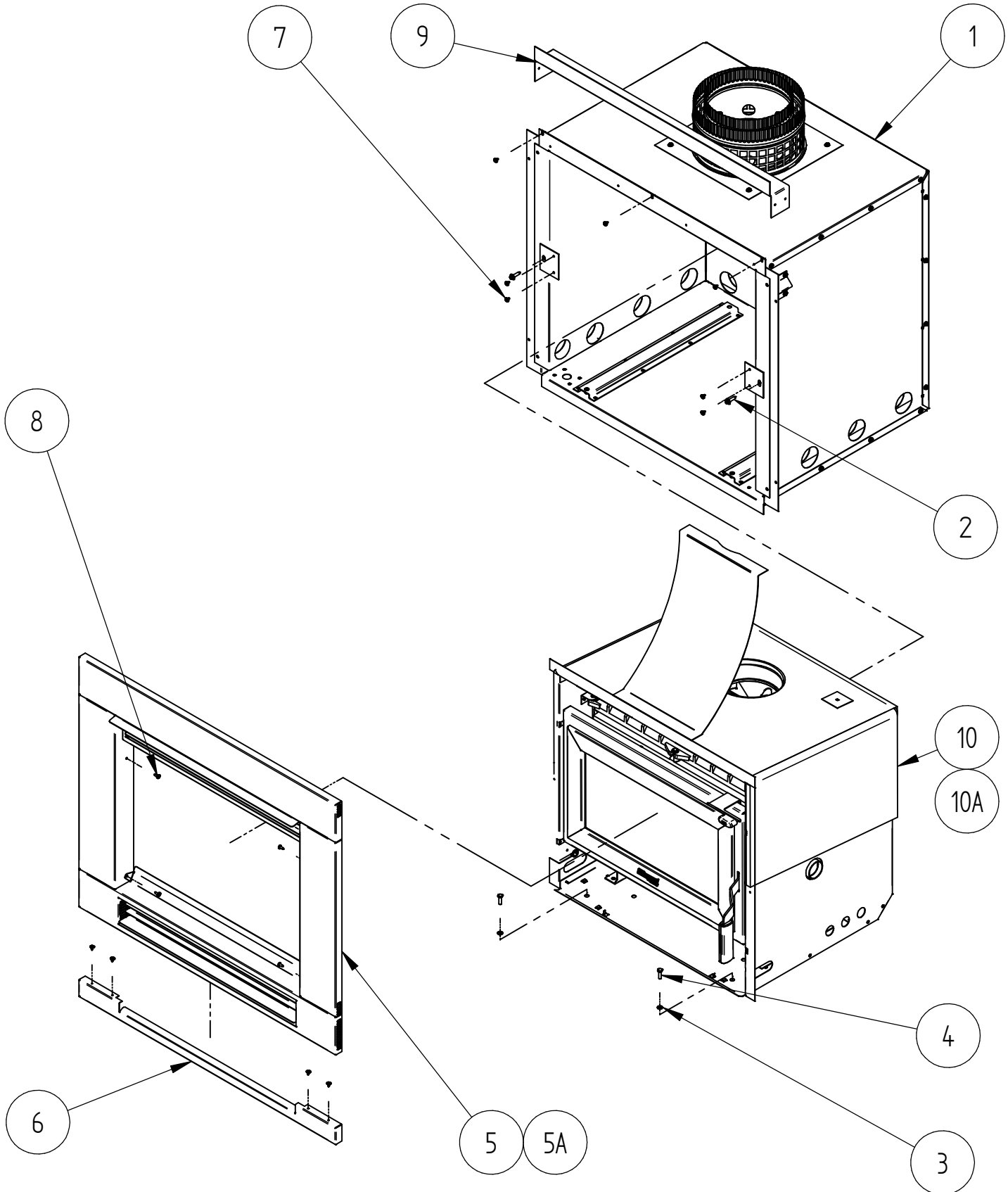
I5000 - NEW ZEALAND						
Descriptions	Item No.	MARKET	FUEL TYPE	FINISH	YEAR	FAN
Fire Box	993931	NZ	SOFTWOOD	-N.A.-	NOV-2013	NO
	993915				APR-2011	
Fascia	993932			Matt Black Paint	NOV-2013	
	993917			Matt Black Enamel	APR-2011	
ZC Box	993920			-N.A.-		

KIT CODE	DESCRIPTION	CONTENTS	YEAR
MAW2070	NZ MASONRY KIT	993915 + 993917	APR-2011
		993931 + 993932	NOV-2013
MAW2071	NZ INBUILT / ZC KIT	993915 + 993917 + 993920	APR-2011
		993931 + 993932 + 993920	NOV-2013



# OVER ALL SCHEMATIC FOR I5000 (NZ) MASONRY & INBUILT / ZC COMPONENTS

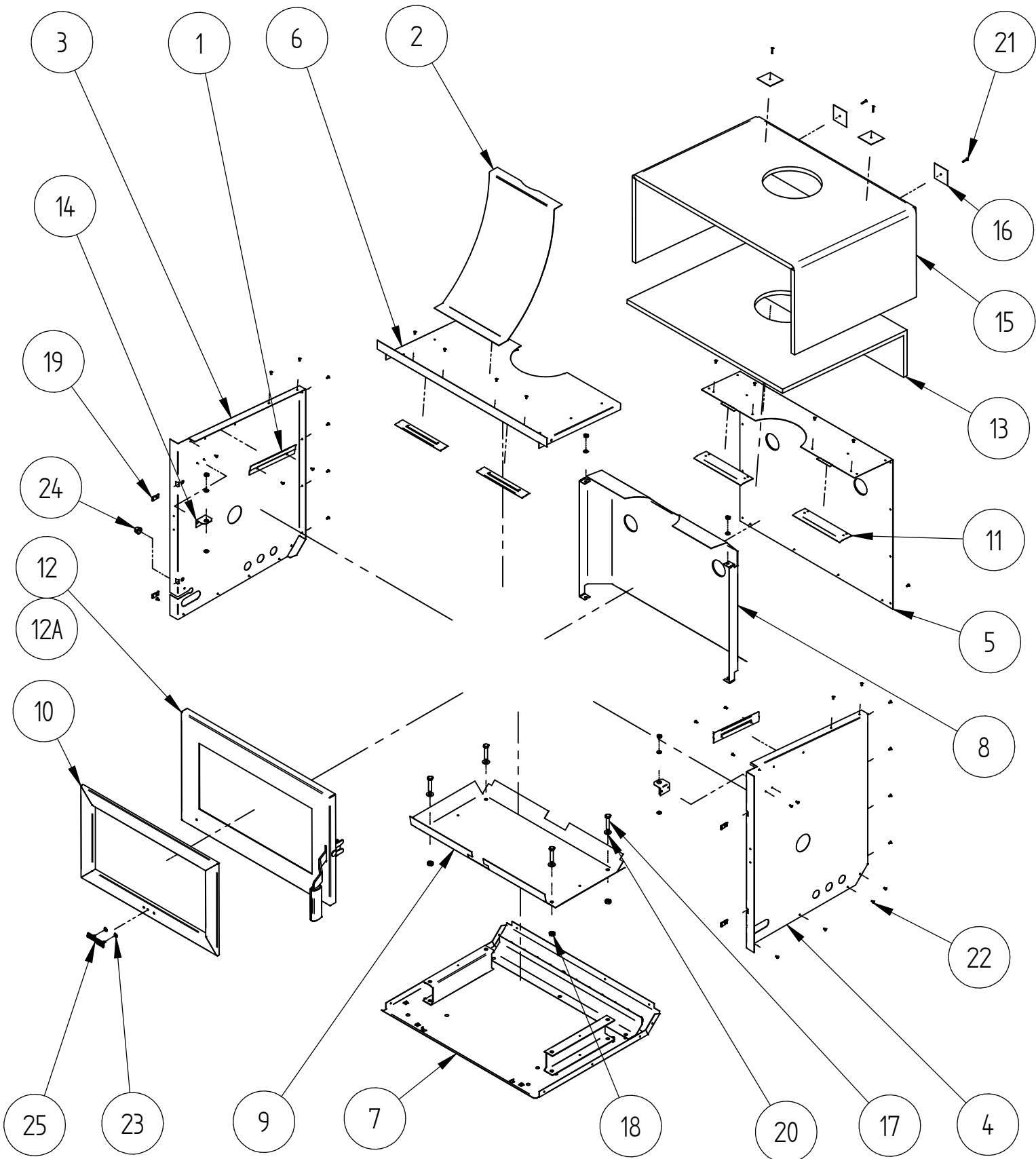


When ordering PLEASE QUOTE PART ID along with Finish Suffix (if applicable)

MASONRY & INBUILT / ZC COMPONENTS					
ITEM	Part ID	Model(s)	Model(s)	Description	Qty
		993915	993931		
1	993920	-	-	ZERO CLEARANCE BOX I5000 NZ 2010	1
2	521637	-	-	SCREW; S/T 12GX25 TIMBERTITE	2
3	523031	-	-	WASHER; FLAT M6 ZP	2
4	521054	-	-	SCREW; M6X20 HEX ZP	2
5	993917	-	-N/A.-	FASCIA I5000 NZ MAT BLK ENL PKD	1
5A	993932	-N/A.-	-	FASCIA I5000 NZ MAT BLK VHT PKD	1
6	993667	V02	-	FASCIA BTM PANEL ZC I5000 MAT BLK EN	1
7	521627	-	-	SCREW;S/T8GX3/8"MUSH FLNGE POZI BLK	8
8	521645	-	-	SCREW;S/T8GX1/2"MUSH FLNGE POZI BLK	4
9	993708	-	-	SUPPORT ANGLE WALL PANEL ZC KT I5000	1
10	993915	-	-N/A.-	W/F I5000 AU 2010 MAT BLK ENL	1
10A	993931	-N/A.-	-	W/F I5000 NZ 2013 MAT BLK-BLK VHT	1

When ordering PLEASE QUOTE PART ID along with Finish Suffix (if applicable)

## PANELS, DOOR AND PEDESTAL

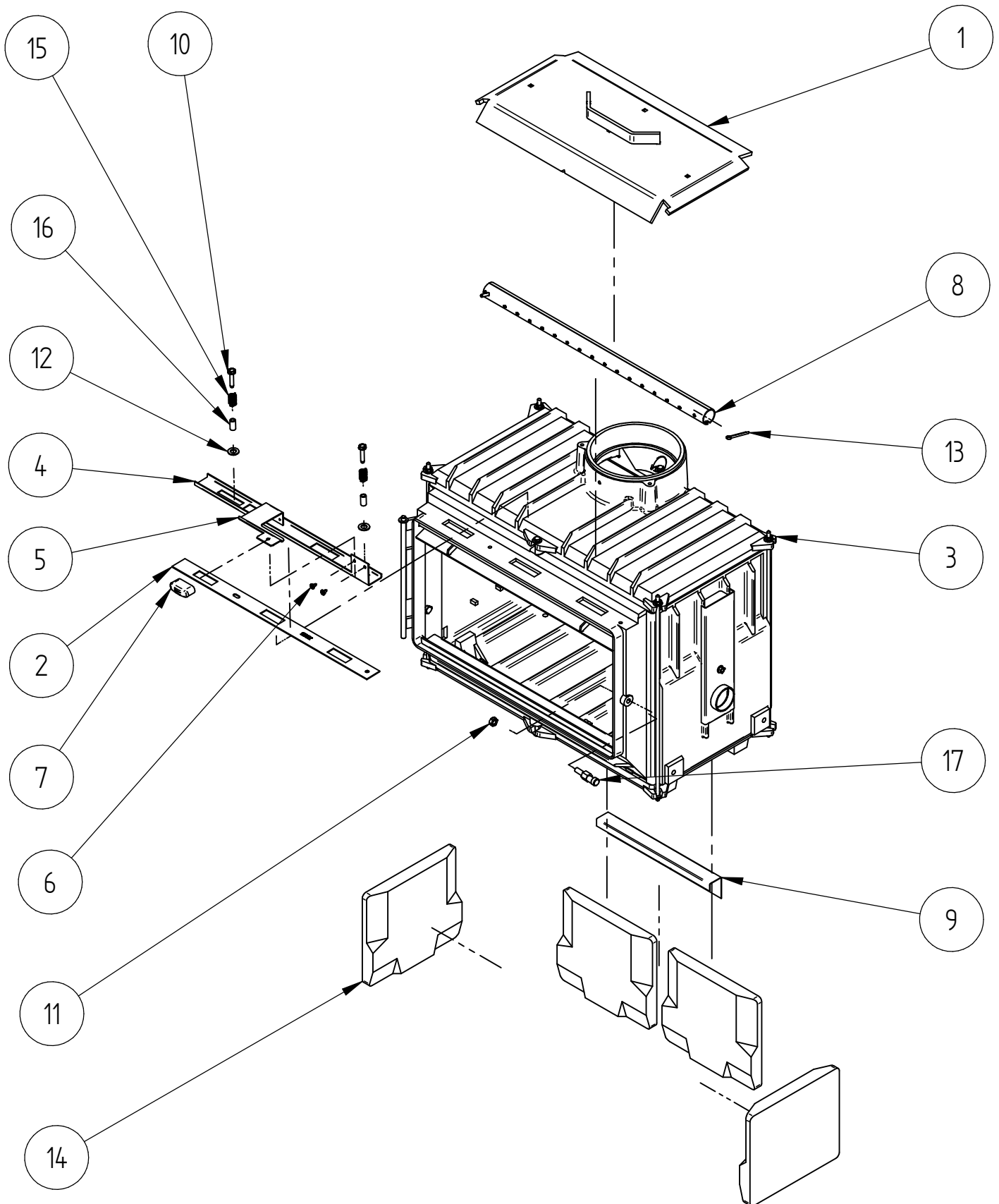


When ordering PLEASE QUOTE PART ID along with Finish Suffix (if applicable)

PANELS, DOOR AND PEDESTAL					
Item	Part ID	Model(s)		Description	Qty
		993915	993931		
1	986514	-	-	CASE OUTER, GUIDE RAIL LE	4
2	993250	-	-	FLUE SHIELD, LE4 PROV	1
3	993602	-	-	I5000 CABINET L/H PANEL	1
4	993603	-	-	I5000 CABINET R/H PANEL	1
5	993604	-	-	I5000 H/C REAR PANEL	1
6	993739	-	-	I5000 TOP CABINET ASSY	1
7	993607	-	-	I5000 BASE PANEL ASSEMBLY	1
8	993608	-	-	I5000 HEAT SHIELD REAR	1
9	993609	-	-	I5000 H/S BASE PANEL	1
10	993623	V02	V02	TRIM- DOOR, ASSY. I5000	1
11	993637	-	-	I5000 CABINET JOINER PLATE	2
12	993620	-N/A-	-	I5000 DOOR ASSEMBLY	1
12A	993640	-	-N/A-	I5000 DOOR ASSEMBLY	1
13	993666	-	-	INSULATION BLANKET TOP I5000	1
14	993704	-	-	I5000 CENTRALISING F/B BRACKET	2
15	993728	-	-	I5000 INSERT BLANKET 2	1
16	MIB00065	-	-	MIB CABINET WASHER	4
17	521070	-	-	SCREW; M8X40 HEX ZP	4
18	522118	-	-	NUT; HEX STD M8 ZP	4
19	522400	-	-	NUT; SPIRE 8G BLK	4
20	523034	-	-	WASHER; FLAT M8X19X1.6 ZP	4
21	524004	-	-	RIVET; 73 AS 4-9	4
22	524008	-	-	RIVET; 73 MS 4-2	43
23	526001	-	-	CLIP; STARLOCK 4 DIA SLP04	2
24	529400	-	-	GROMMET; PLASTIC 22-PLB16	1
25	587835	-	-	BADGE MASPORT HEATING	1

When ordering PLEASE QUOTE PART ID along with Finish Suffix (if applicable)

# AIRSLIDE, BAFFLE, BRICKS AND FIREBOX



When ordering PLEASE QUOTE PART ID along with Finish Suffix (if applicable)

AIRSLIDE, BAFFLE, BRICKS AND FIREBOX					
Item	Part ID	Model(s)		Description	Qty
		993915	993931		
1	993642	-	-	I5000 BAFFLE ASM	1
2	993662	-	-	I5000 PLATE - METERING	1
3	993688	-	-	I5000 F/B ASSEMBLY NZ	1
4	993689	-	-	I5000 AIRSLIDE NZ	1
5	993629	-	-	I5000 AIRSLIDE EXTENTION	1
6	521627	-	-	SCREW; S/T 8GX3/8" MUSH FLANGE POZI BLK	2
7	593568	-	-	AIR SLIDE KNOB PUSH ON	1
8	994229	-	-	TUBE-SEC AIR, F3000 S/S	1
9	994258	-	-	CHANNEL BRICK RETAINER F2000	1
10	521634	-	-	SCREW; S/T M6X30 HEX FLANGE ZP TAPTITE	2
11	522118	-	-	NUT; HEX STD M8 ZP	1
12	523021	-	-	WASHER; FLAT M10X19X1.6 ZP	2
13	525105	-	-	COTTER PIN 5.0X40 ZP	1
14	587807	-	-	BRICK-F/B, LE2, LE3, 09	4
15	593711	-	-	SPRING COMPRESSN AIR INLET I5000	2
16	593712	-	-	SPACER AIRSLIDE I5000	2
17	594520	-	-	PIN DOOR LATCH, LE3000	1

Note: Mar 14 onwards old wooden knobs were replaced by plastic knobs.

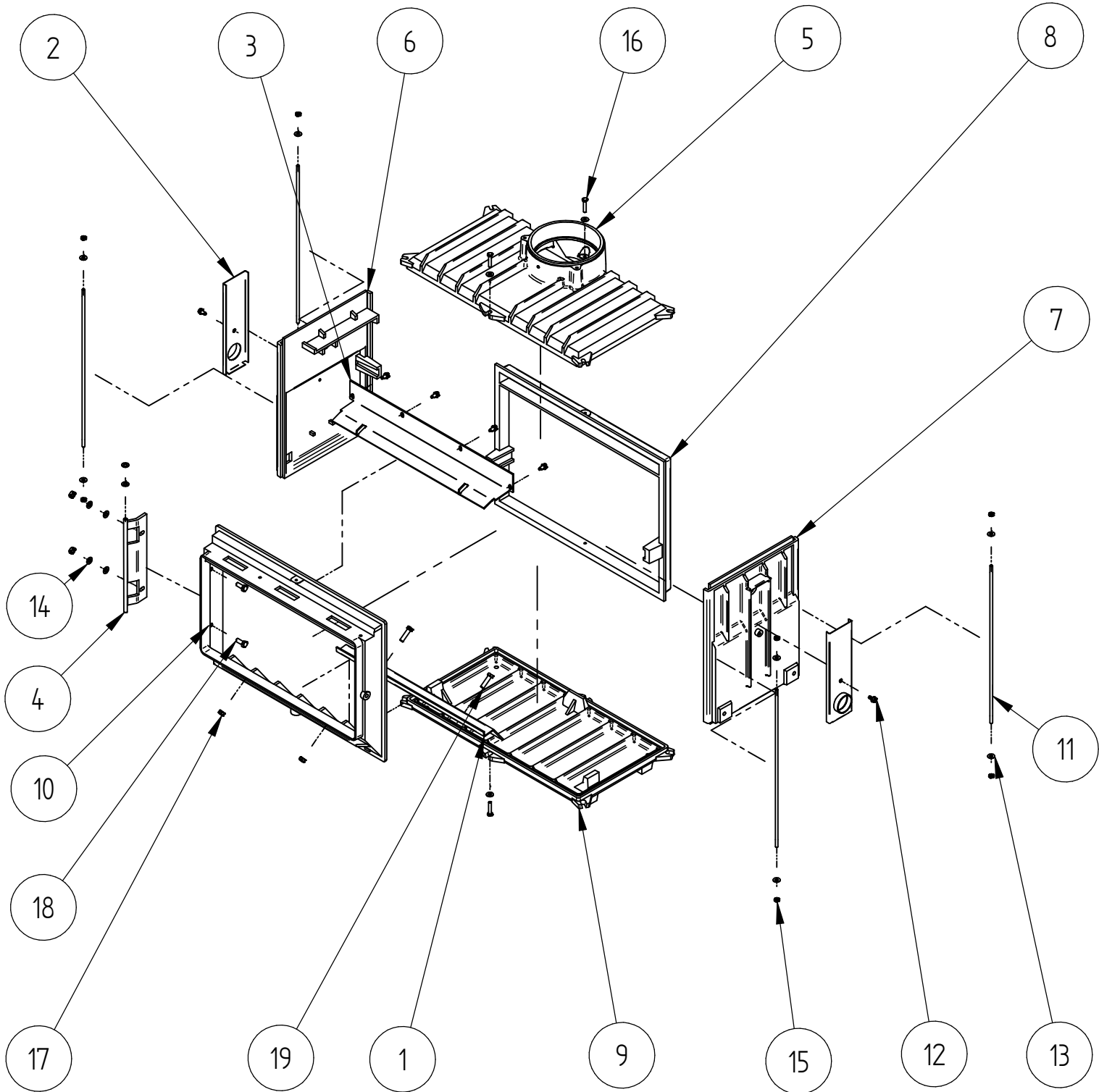
Old wooden knob parts:

1 X 986162 Air control knob

1 X 521642 Screw

Contact Customer service/Engineering Dept. for details of wooden knob system (Issue A).

# FIREBOX DETAILS



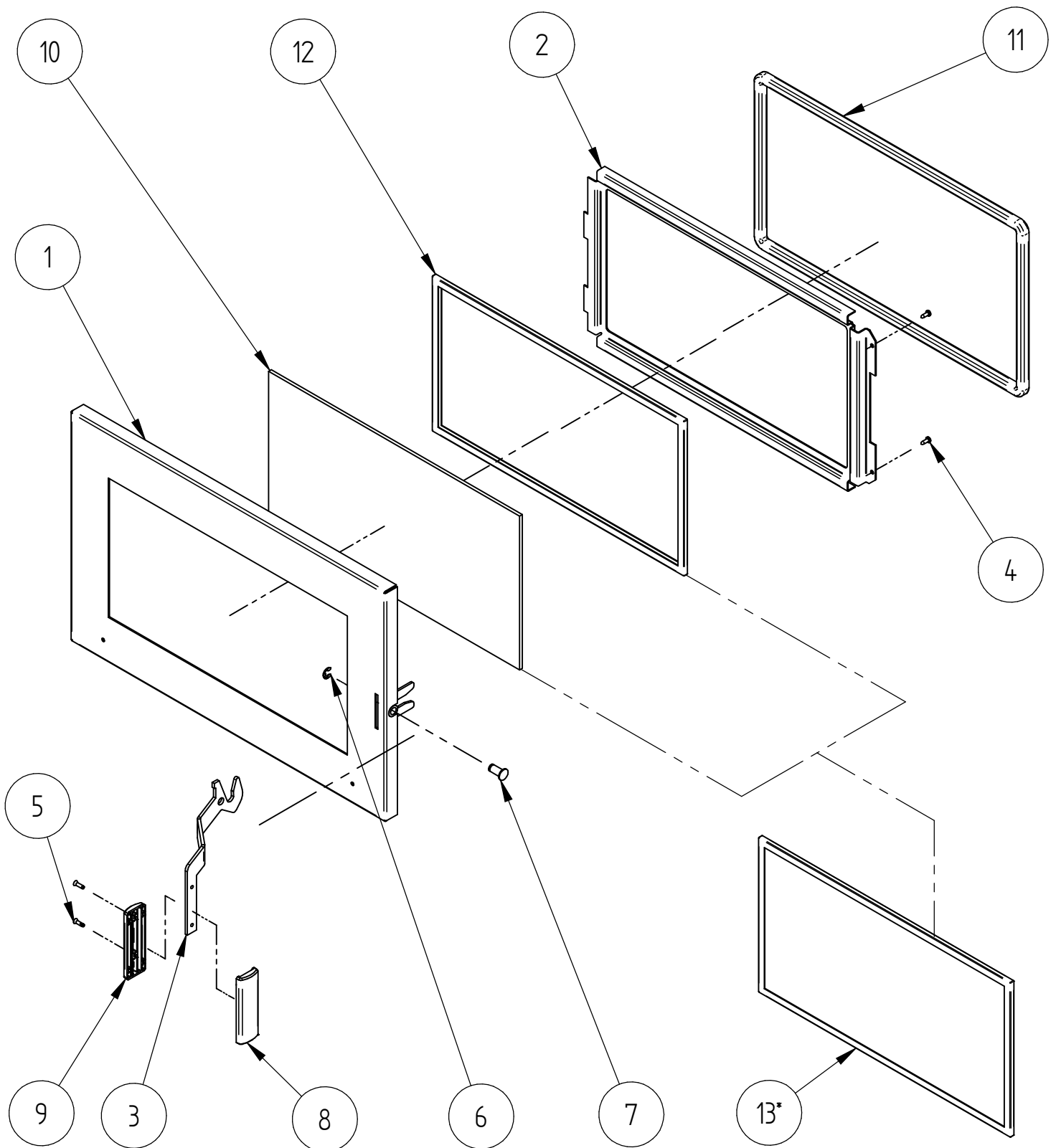
When ordering PLEASE QUOTE PART ID along with Finish Suffix (if applicable)



FIREBOX DETAILS: 993688					
Item	Part ID	Model(s)		Description	Qty
		993915	993931		
1	987551	-	-	PLATE - BASE AIR	1
2	993628	-	-	I5000 A/T CHANEL COVER ASM	2
3	993644	-	-	I5000 F/B AIR DEFLECTOR ASSM	1
4	993655	-	-	I5000 HINGE ASSEMBLY	1
5	686502	-	-	F/B TOP LE5 PROVINCIAL	1
6	686645	-	-	F/B SIDE LH LE3/5000S2/PAN/VERONA	1
7	686646	-	-	F/B SIDE RH LE3/5000S2/PAN/VERONA	1
8	686680	-	-	F/B BACK LE5 PROVINCIAL	1
9	686681	-	-	F/B BOTTOM LE3/5/VER-SET 1 &7	1
10	686800	-	-	F/B FRONT LE PROVINCIALS2	1
11	984598	-	-	ROD; TIE M6X 425	4
12	521601	-	-	SCREW; S/T 1/4"X1/2" HEX FLANGE ZP	6
13	523007	-	-	WASHER; FLAT 1/4"X5/8"X0.049" ZP	12
14	523019	-	-	WASHER; FLAT 5/16"X5/8"X16G ZP	6
15	522117	-	-	NUT; HEX STD M6 ZP	8
16	521059	-	-	SCREW; M6X30 HEX ZP	4
17	522118	-	-	NUT; HEX STD M8 ZP	4
18	521066	-	-	SCREW; M8X20 HEX ZP	2
19	521068	-	-	SCREW; M8X30 HEX ZP	2

When ordering PLEASE QUOTE PART ID along with Finish Suffix (if applicable)

# DOOR ASSEMBLY



When ordering PLEASE QUOTE PART ID along with Finish Suffix (if applicable)

DOOR ASSEMBLY					
Item	Part ID	Model(s)		Description	Qty
		993915	993931		
		993640	993620		
1	993621	E01	V02	15000 WELD DOOR ASM	1
2	993632	-	-	15000 RETAINER GLASS	1
3	993653	-	-	HOOK DOOR LATCH - 15000	1
4	521619	-	-	SCREW; S/T 8GX1/2" PAN POZI ZP	2
5	521650	-	-	SCREW; 6GX1/2" S/S TYPE 25 C/S POZI	2
6	526202	-	-	CLIP; CIRCLIP E-CLIP 8 DIA DIN1500 ETC08	1
7	593276	-	-	PIN PIVOT DOOR CATCH LE4000	1
8	593598	-	-	13000 DOOR HANDLE FRONT RH PLASTIC	1
9	593599	-	-	DOOR HANDLE REAR L/H PLASTIC	1
10	595003	-	-	GLASS W/FIRE 5X458X243	1
11	C15MMDR	-	-	DOOR ROPE 15MM X 50m ROLL (MTR)	1
12	C25MMLT	-	-	GLASS FIBRE TAPE 25x3x50m ROLL (MTR)	1
13*	795003	-	-	DOOR GLASS KIT	1

\*Optional Sale Kit

Note: Mar 14 onwards old wooden handles were replaced by 2-piece plastic handles.

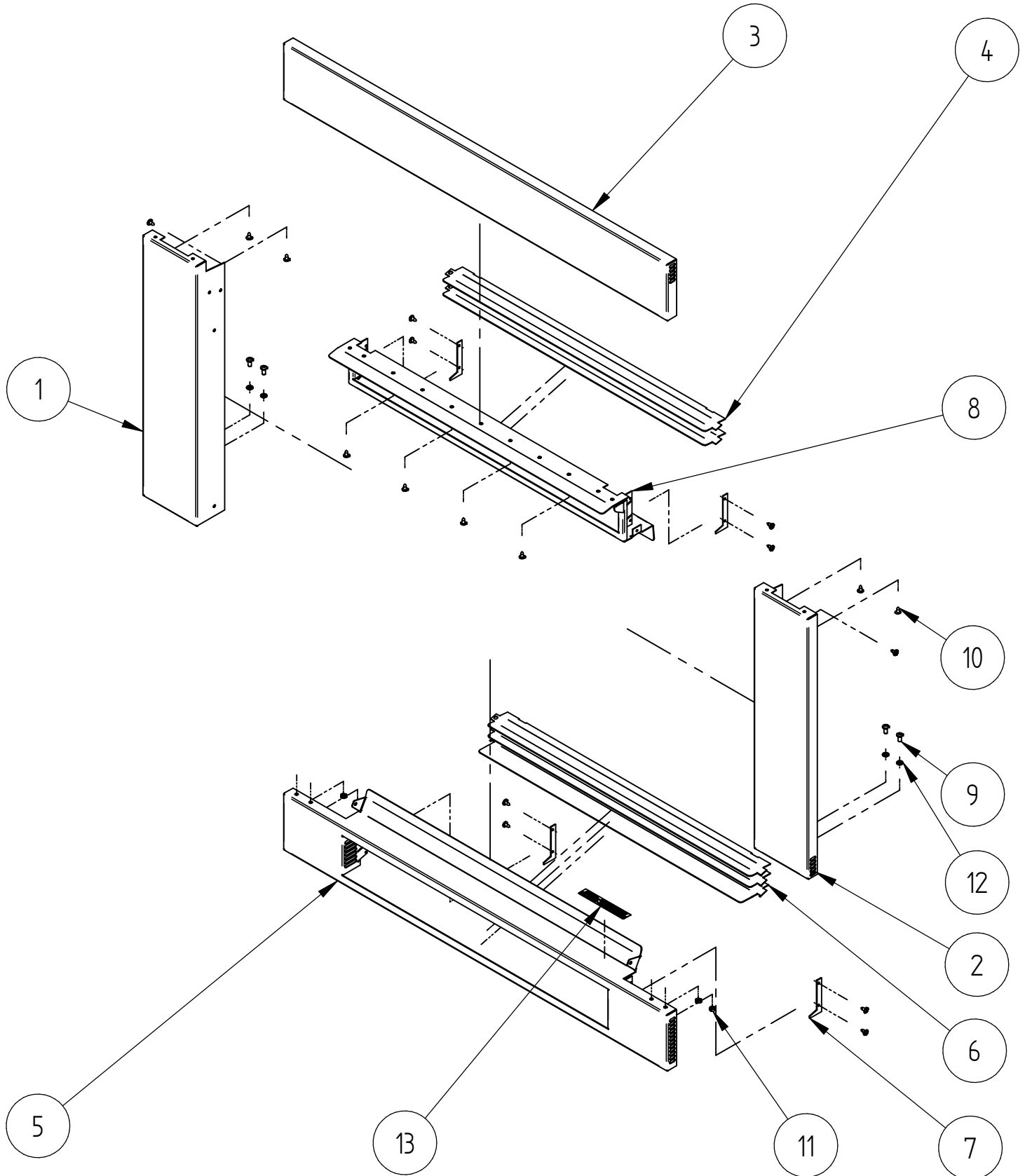
Old wooden handle parts:

1 X 586161 Door Handle

2 X 521628 Screws

Contact Customer service/Engineering Dept. for other parts of wooden handle system (Issue A).

## FASCIA ASSEMBLY (993917)

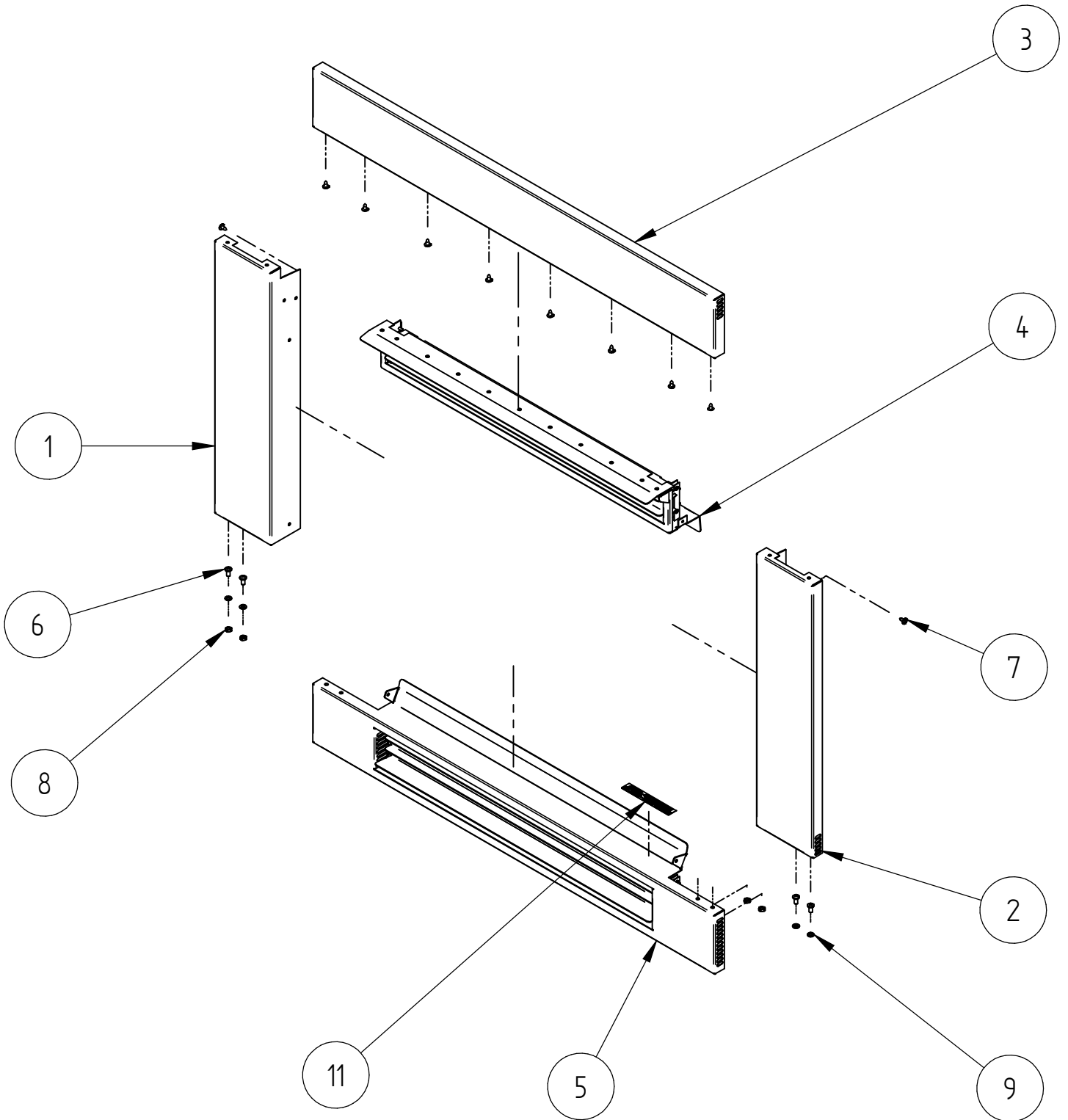


When ordering PLEASE QUOTE PART ID along with Finish Suffix (if applicable)

FASCIA ASSEMBLY: 993917				
Item	Part ID	Model(s)	Description	Qty
		993917		
1	993612	E01	I5000 FASCIA L/H PANEL	1
2	993613	E01	I5000 FASCIA R/H PANEL	1
3	993614	E01	I5000 FASCIA TOP PANEL	1
4	993645	E01	I5000 LOUVRE	4
5	993684	E01	I5000 FASCIA PANEL BOTTOM	1
6	993685	E01	I5000 BIG LOUVRE NZ	1
7	993687	-	I5000 LOUVRE CATCH NZ	4
8	993726	E01	I5000 LOUVRE CATCH ASSY	1
9	521027	-	SCREW; M5X10 PAN POZI ZP	4
10	521627	-	SCREW; S/T 8GX3/8" MUSH FLANGE POZI BLK	18
11	522106	-	NUT; HEX STD M5 ZP	4
12	523029	-	WASHER; FLAT M5 ZP	4
13	595695	-	DECAL "BURN ONLY" COMBINED NZ/AUS	1

When ordering PLEASE QUOTE PART ID along with Finish Suffix (if applicable)

## FASCIA ASSEMBLY (993932)

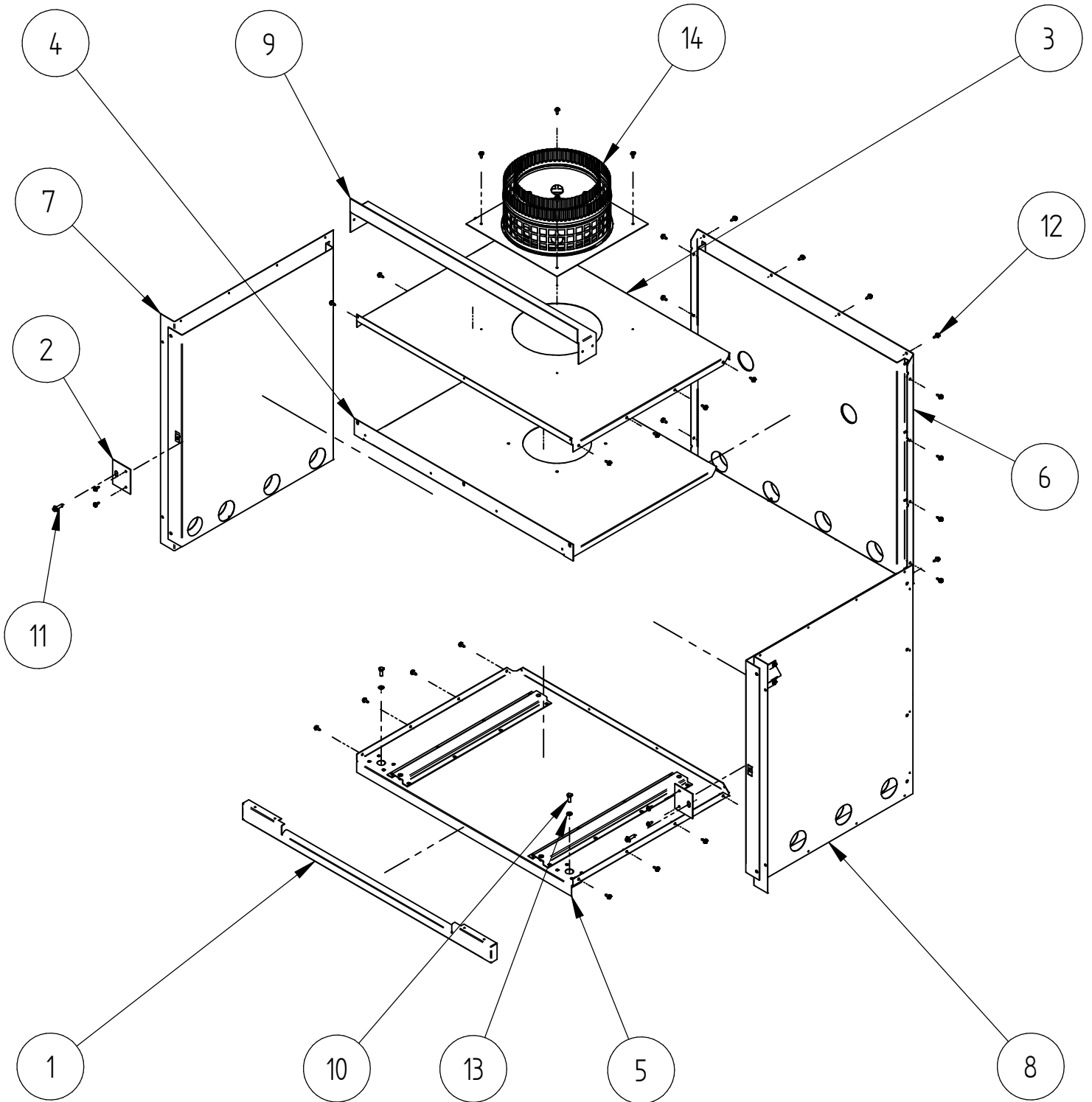


When ordering PLEASE QUOTE PART ID along with Finish Suffix (if applicable)

FASCIA ASSEMBLY: 993932				
Item	Part ID	Model(s)	Description	Qty
		993931		
1	993612	V02	I5000 FASCIA L/H PANEL	1
2	993613	V02	I5000 FASCIA R/H PANEL	1
3	993614	V02	I5000 FASCIA TOP PANEL	1
4	993660	V02	LOUVRE ASSY TOP COMPL I5 MAT BLK VHT	1
5	993659	V02	LOUVRE ASSY BOT COMPL I5 MAT BLK VHT	1
6	521027	-	SCREW; M5X10 PAN POZI ZP	4
7	521627	-	SCREW; S/T 8GX3/8" MUSH FLANGE POZI BLK	10
8	522106	-	NUT; HEX STD M5 ZP	4
9	523029	-	WASHER; FLAT M5 ZP	4
10*	993667	-	I5000 FASCIA EXT Z/C PANEL	1
11	595695	-	DECAL "BURN ONLY" COMBINED NZ/AUS	1

When ordering PLEASE QUOTE PART ID along with Finish Suffix (if applicable)

## ZC ASSEMBLY



When ordering PLEASE QUOTE PART ID along with Finish Suffix (if applicable)



ZC ASSEMBLY: 993920				
Item	Part ID	Model(s)	Description	Qty
		993915		
1	993667	V02	I5000 FASCIA EXT Z/C PANEL	1
2	993668	-	BRACKET RESTRAINT, ZC K1	2
3	993680	-	PANEL TOP ZC KIT I5000	1
4	993681	-	PANEL TOP SHIELD ZC KIT I5000	1
5	993700	-	BOTTOM PANEL ASSY Z/C I5000	1
6	993701	-	PANEL REAR ASSY Z/C I5000	1
7	993702	-	PANEL ASSY L/H Z/C I5000	1
8	993703	-	PANEL ASSY R/H Z/C I5000	1
9	993708	-	SUPPORT ANGLE - WALL PANEL ZC KT I5000	1
10	521076	-	SCREW; M6X16 HEX ZP	2
11	521637	-	SCREW; S/T 12GX25 TIMBERTITE	2
12	521643	-	SCREW; S/T 8GX1/2" HEX POZI BLK	40
13	523031	-	WASHER; FLAT M6 ZP	2
14	593374	-	FLANGE- SPIGOT ASSY I9000	1

When ordering PLEASE QUOTE PART ID along with Finish Suffix (if applicable)

NOT ILLUSTRATED					
Item	Part ID	Model(s)		Descriptions	Qty
		993915	993931		
1	593675	-	-	INSTRUCT INSTALLATION 15000 INSERT NZ	1
2	593676	-	-	INSTRUCT INSTALLATION 15000 Z/C NZ	1
3	593713	-	-	INSTRUCT BRICK INSTALL 15000	1
4	593729	-	-	INSTRUCT FRONT FLUE SHIELD 15000	1

SURFACE FINISH CODES FOR PANELS						
VITREOUS ENAMEL		VHT PAINT(Very High Temp)			POWDER COAT	
E01	MATT BLACK	V02	P-000022	METALLIC BLACK	P02	MATT BLACK
E02	GLOSS BLACK	V03	P-000043	CHARCOAL	P03	CHARCOAL
E03	CHARCOAL	V04	P-000081	TITANIUM	P05	SATIN BLACK
		V05	P-000051	CHARCOAL (DAM MET BLK)	P09	METTALIC BLACK
		V06	P-000052	METALLIC BLACK ZINC		

LESS FREQUENTLY OR OLD SURFACE FINISH CODES FOR PANELS						
VITREOUS ENAMEL		VHT PAINT(Very High Temp)			POWDER COAT	
E04	JASMINE	V01		SATIN BLACK HIGH TEMP	P01	BLUE/BLACK
					P04	GLOSS CHARCOAL
					P07	FLAT BLACK

When ordering PLEASE QUOTE PART ID along with Finish Suffix (if applicable)