

Masport[®] Heating

FREESTANDING WOOD FIRES

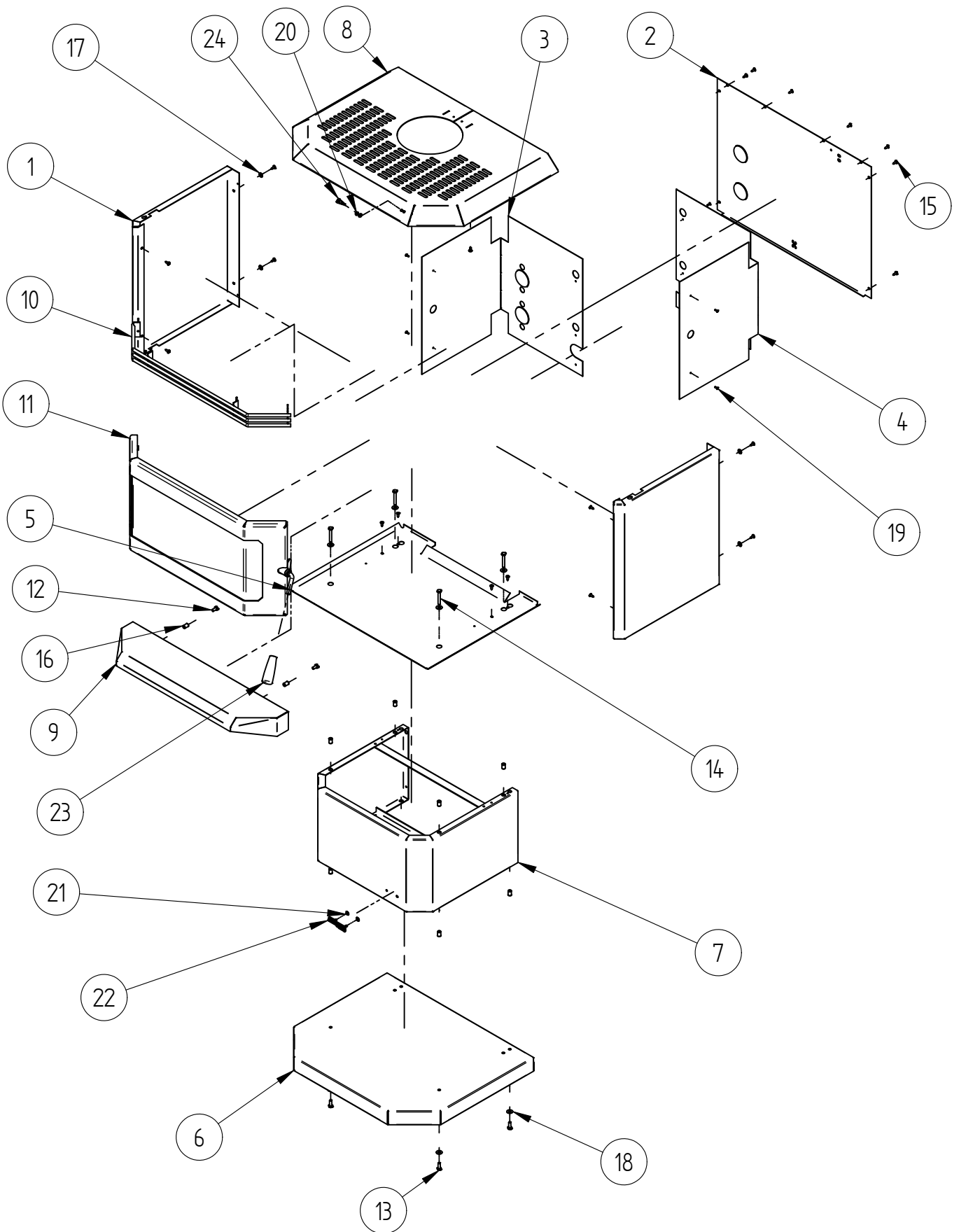
HESTIA 2 CLEAN AIR

Item No.	MARKET	FUEL TYPE	FINISH	YEAR	FAN
992922	NZ	SOFTWOOD	Matt Black Enamel	Jan-2008	No

*SINGLE PIECE PEDESTAL INTRODUCED IN MAR 13



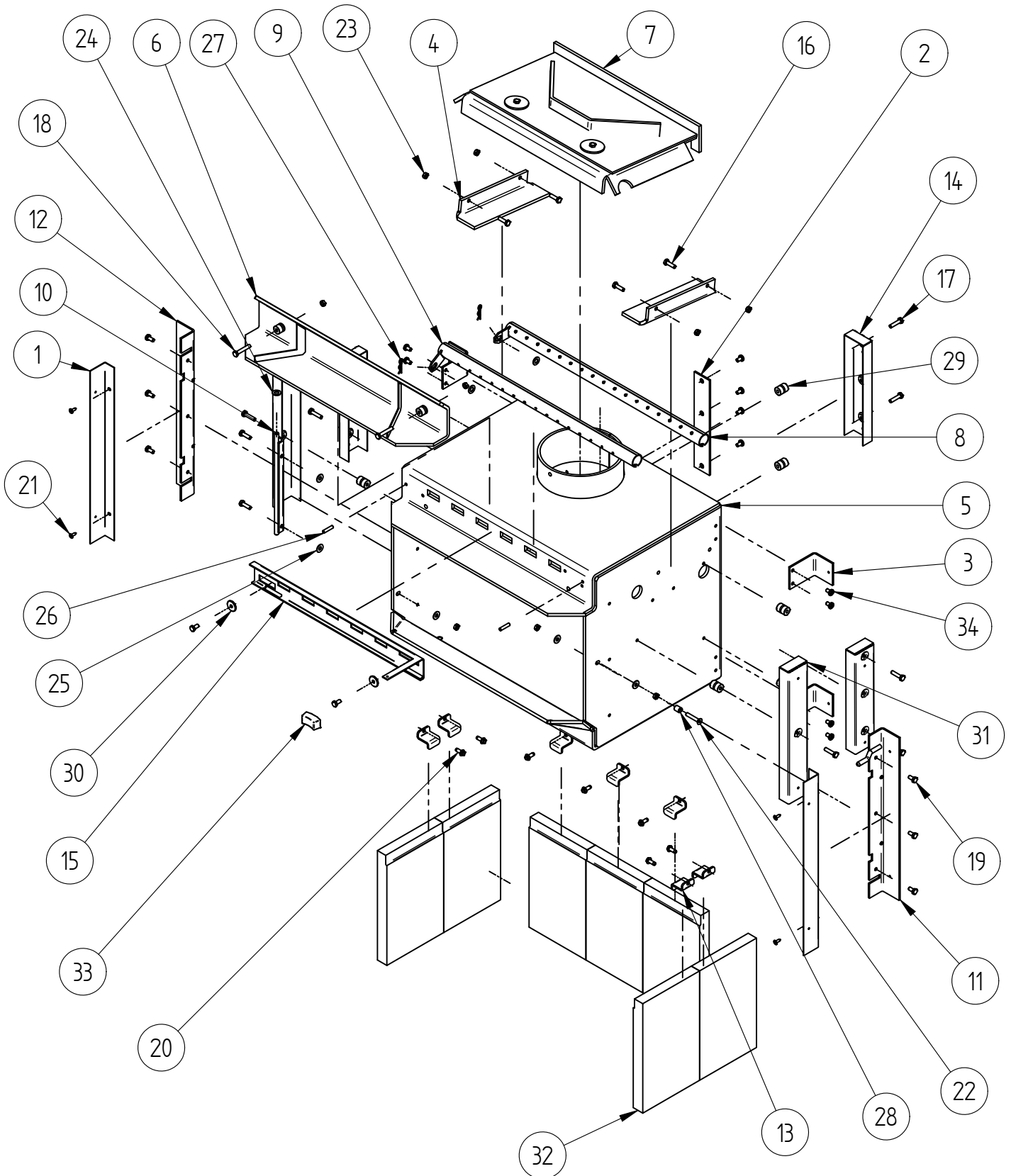
PANELS, DOOR AND PEDESTAL



PANELS, DOOR AND PEDESTAL				
Item	Part ID	Models	Descriptions	Qty
		992922		
1	HBA00006	E01	HBA SIDE PANEL	2
2	HBA00012	-	HBA REAR HEAT SHILED	1
3	HBA00039	-	HBA INNER HEAT SHIELD	1
4	HBA00040	-	HBA R/H INNER HEAT SHIELD	1
5	HBA00176	-	HBA BASE HEAT SHIELD	1
6	ATN00174	P02	ATN PEDESTAL BASE	1
7	ATNAC175	P02	ATN PEDESTAL ASSEMBLY	1
8	HBAAC001	-	HBA TOP PANEL COMPLETE	1
9	HBAAC011	E01	HBA ASH SHELF ASSEMBLY	1
10	HBAAC017	-	HBA LOUVRE ASSEMBLY	1
11	HBAAC730	-	SEE DOOR ASSEMBLY PAGE	1
12	521075	-	SCREW; M6X12 HEX ZP	2
13	521076	-	SCREW; M6X16 HEX ZP	4
14	521077	-	SCREW; M6X40 HEX ZP	4
15	521645	-	SCREW; S/T 8GX1/2" MUSH FLANGE POZI BLK	22
16	522611	-	NUT; RIVNUT THN/SHT M6X13.5	10
17	523004	-	WASHER; FLAT 1/4"X1/2"X1/16" FIBRE	4
18	523036	-	WASHER; FLAT 1/4"X5/8" BLK	8
19	524002	-	RIVET; 73 AS 4-3	7
20	526008	-	CLIP; STARLOCK M3	2
21	526009	-	CLIP; STARLOCK M4	2
22	587835	-	BADGE MASPORT HEATING	1
23	MIC00376	-	MIC DOOR HANDLE	1
24	MIC00744	-	MIC HILO BADGE	1

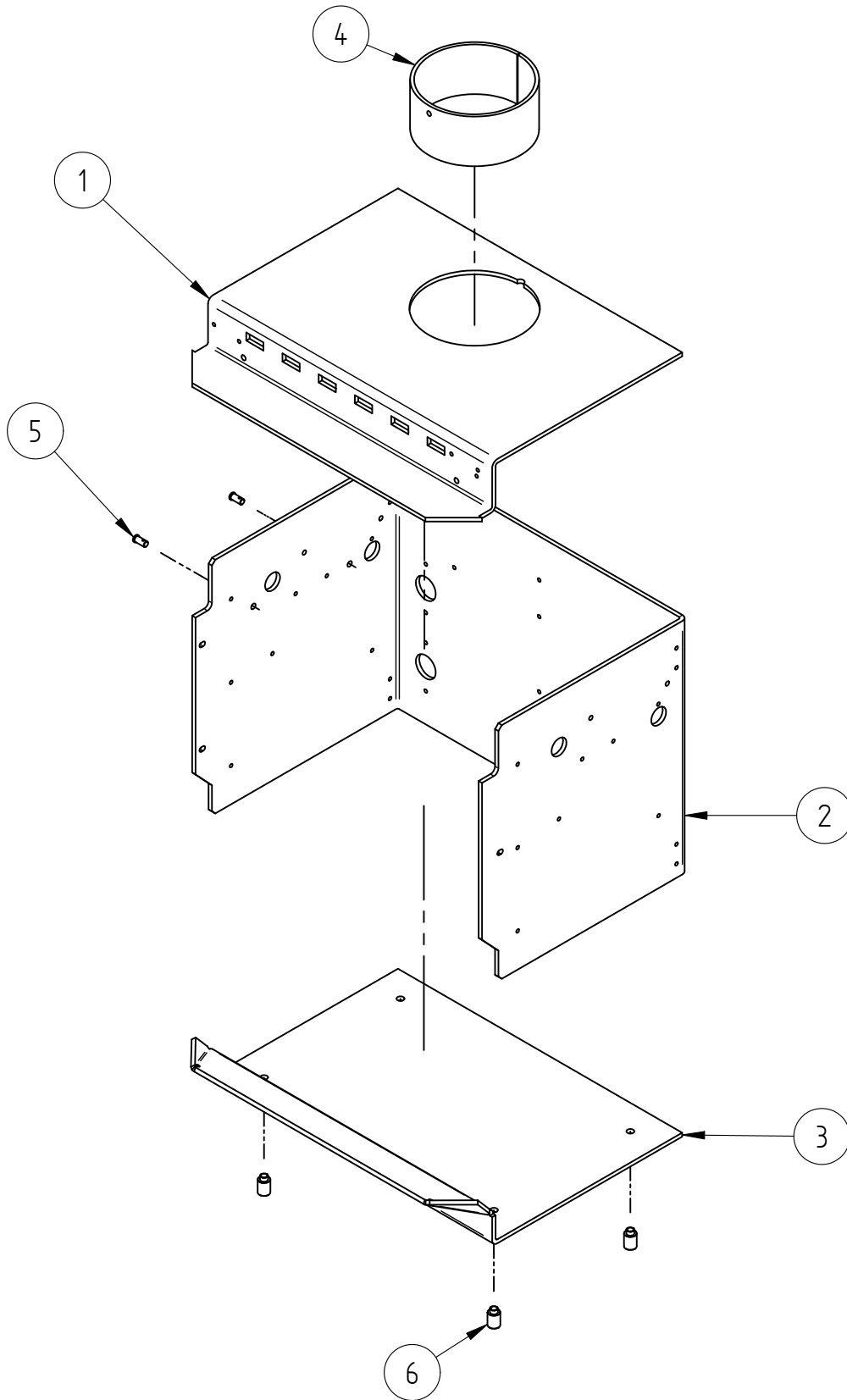
*Optional Sale Kit

AIRSLIDE, BAFFLE, BRICKS AND FIREBOX



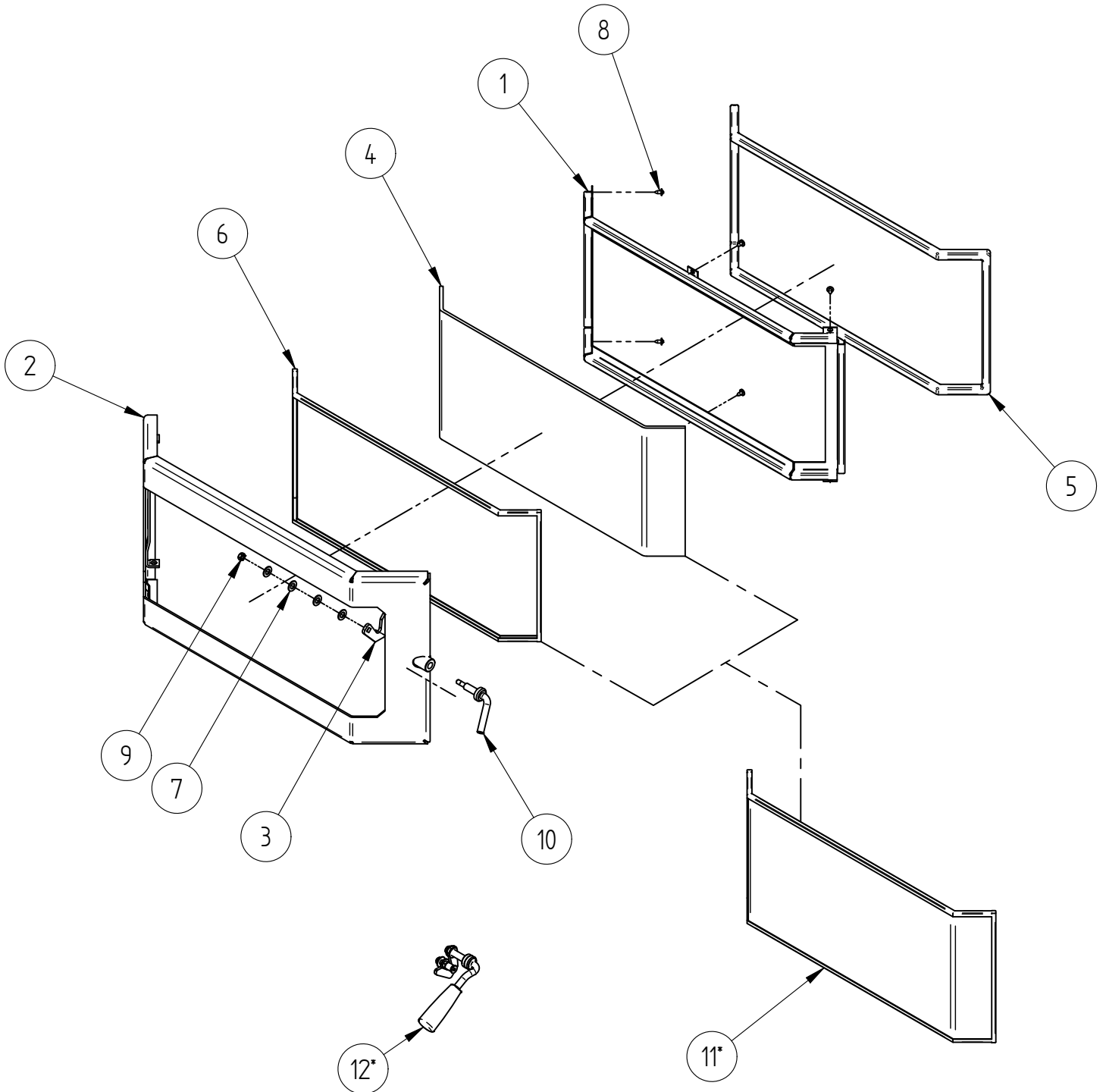
AIRSLIDE, BAFFLE, BRICKS AND FIREBOX				
Item	Part ID	Models	Descriptions	Qty
		992922		
1	ATN00009	V02	ATN SIDE PANEL ANGLE	2
2	AIB00135	-	AIB WATER BOOSTER COVER PLATE	1
3	ATN00130	-	ATN BODY MOUNT BRACKET	4
4	HBA00116	-	HBA BAFFLE SUPPORT	2
5	HCAAC004	-	HCA FIRE BOX ASSY	1
6	HBAAC102	-	HBA AIR DEFLECTOR COMPLETE	1
7	992081	-	BAFFLE ASS COMPL HESTIA C	1
8	HCA00136	-	HCA REAR AIR BAR ASSEMBLY	1
9	HBA00138	-	HBA FRONT AIR BAR ASSEMBLY	1
10	ATNAC190	-	ATN HINGE PLATE ASSEMBLY	1
11	ATNAC183	-	ATN STIFFENER & GUIDE SUB	1
12	ATN00183	-	ATN DOOR RIDDLE STIFFENER	1
13	HBA00118	-	HBA BRICK RETAINER	7
14	HCA00164	-	HCA SEC AIR CHANNEL	3
15	ATN00036	-	ATN AIR SLIDE	1
16	521054	-	SCREW; M6X20 HEX ZP	6
17	521058	-	SCREW; M6X25 HEX ZP	8
18	521060	-	SCREW; M6X35 HEX ZP	2
19	521075	-	SCREW; M6X12 HEX ZP	8
20	521632	-	SCREW; S/T M6X15 HEX FLANGE NIC TAPTITE	7
21	521645	-	SCREW; S/T 8GX1/2" MUSH FLANGE POZI BLK	4
22	521814	-	SCREW; CAP M6X35 CSK ALLEN BLK	1
23	522117	-	NUT; HEX STD M6 ZP	10
24	523018	-	WASHER; FLAT 5/16"X5/8" BLK	4
25	523036	-	WASHER; FLAT 1/4"X5/8" BLK	6
26	525003	-	PIN; TENSION 5X24 BLK	2
27	526101	-	CLIP; R-CLIP 1.8 DIA ST	2
28	ATN00079	-	ATN DOOR CATCH PIN	1
29	HBA00129	-	HBA AIR DEFLECTOR SPACER	8
30	MIC00083	-	LOGAIRE METRO AIR SLIDE SPACER	2
31	MIC00123	-	MIC SEC AIR CHANNEL	2
32	MIC00354	-	MIC BRICK	7
33	MIC00375	-	MIC AIR SLIDE HANDLE	1
34	521046	-	SCREW; M6X10 PAN POZI ZP	12

FIREBOX DETAILS



FIREBOX DETAILS				
Item	Part ID	Models	Descriptions	Qty
		992922		
1	HBA00103	-	HBA FIREBOX TOP	1
2	HCA00106	-	HESTIA CLEAN AIR FIREBOX WRAP	1
3	HBA00107	-	HBA FIRE BOX BASE	1
4	PFS00120	-	PFS SPIGOT	1
5	MIC00137	-	MIC AIRBAR PIN	2
6	MET00429	-	FIREBOX BUSH - SPIGOTED	4

DOOR ASSEMBLY



DOOR ASSEMBLY – HBAAC730				
Item	Part ID	Models	Descriptions	Qty
		992922		
1	ATN00034	-	ATN GLASS RETAINER	1
2	HBAAC030	E01	HBA DOOR FRAME COMPLETE	1
3	ATN00133	-	ATN DOOR LATCH PLATE	1
4	ATN00204	-	ATN GLASS	1
5	C16MMDR	-	DOOR ROPE 16MM X 50m ROLL (MTR)	1
6	C25MMLT	-	LADDER TAPE 25x3x50m ROLL (MTR)	1
7	523018	-	WASHER; FLAT 5/16"X5/8" BLK	5
8	521627	-	SCREW; S/T 8GX3/8" MUSH FLANGE POZI BLK	6
9	522117	-	NUT; HEX STD M6 ZP	1
10	MIC00373	-	DOOR SPINDLE	1
11*	ATN99204	-	ATN 1999 GLASS & TAPE	1
12*	ATNACDH	-	ATN DOOR HANDLE ASSEMBLY KIT	1

*Optional Sale Kit

NOT ILLUSTRATED				
Item	Part ID	Models	Descriptions	Qty
		992922		
1	HCABRICK	-	INSTRUCTION - BRICK LAYOUT	1
2	593286	-	OWNER MANUAL WOODFIRES	1
3	593287	-	INSTALL MANUAL WOODFIRES	1
4	594798	-	INSTRUCTION HESTIA PED/FAN ASSY	1
5	HCAM0738	-	HCA 2 & HCAHW INSTALLATION DATA SHEET MASPORT	1

SURFACE FINISH CODES FOR PANELS					
VITREOUS ENAMEL		VHT PAINT(Very High Temp)		POWDER COAT	
E01	MATT BLACK	V02	METALLIC BLACK	P02	MATT BLACK
E02	GLOSS BLACK	V03	CHARCOAL	P03	CHARCOAL
E03	CHARCOAL	V04	TITANIUM	P05	SATIN BLACK
		V05	CHARCOAL (DAM MET BLK)	P09	METTALIC BLACK
		V06	METALLIC BLACK ZINC		