

Masport®

# Masport® Heating

## FREESTANDING WOOD FIRES

### WANAKA/HEARTLAND - NEW ZEALAND

Item No.	MARKET	FUEL TYPE	FINISHING	YEAR	FAN
WANAKA - 992925	NZ	SOFTWOOD	Metallic Black VHT Paint	NOV - 2015	No
HEARTLAND - 992926					



\*WANAKA

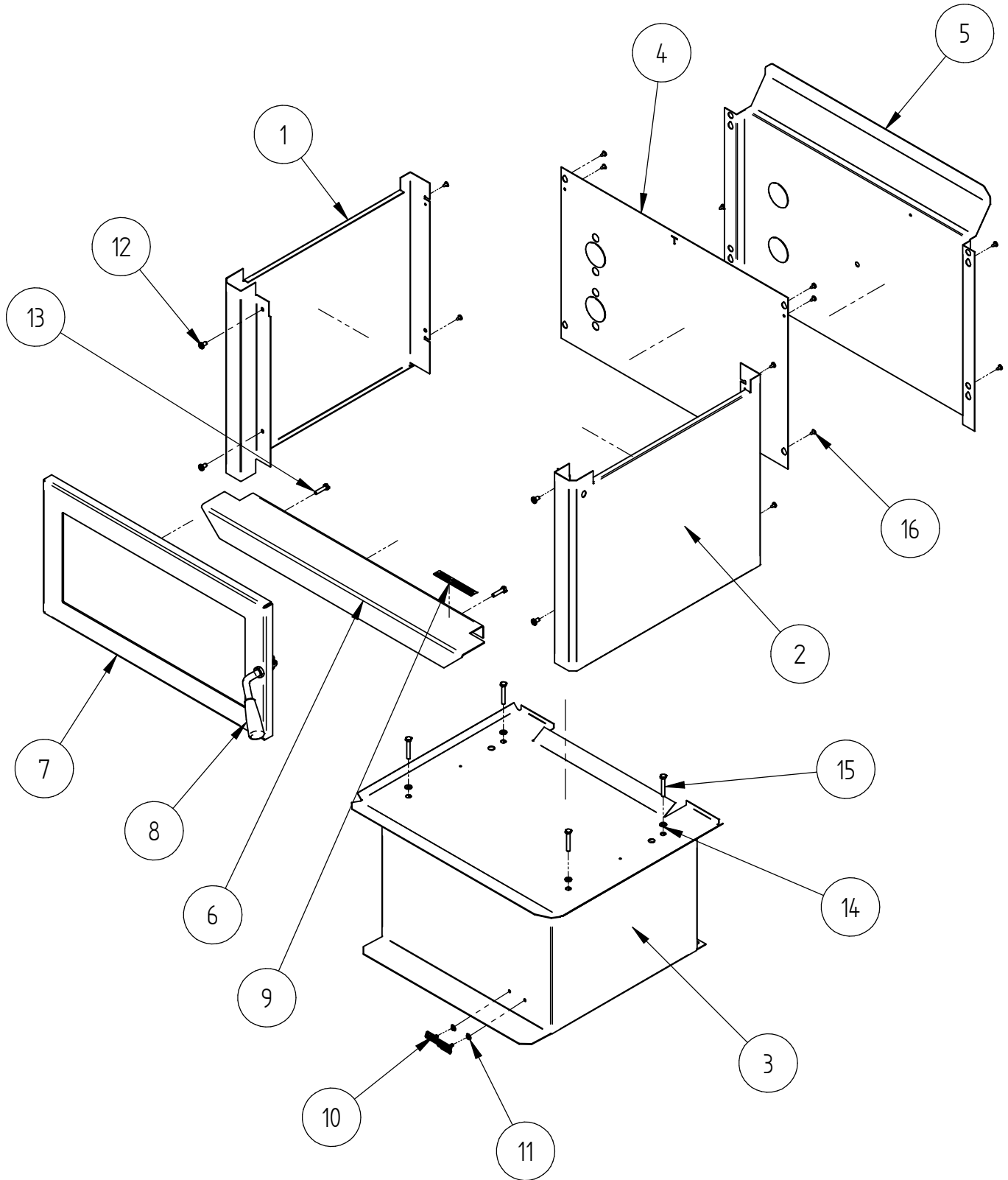


\*HEARTLAND

\* ALL THE PARTS ARE THE SAME - EXCEPT THE PEDESTAL

When ordering PLEASE QUOTE PART ID, MODEL Number & DESCRIPTIONS, NOT ITEM Number  
determining left hand side from viewing position

# PANELS, DOOR AND PEDESTAL (WANAKA)

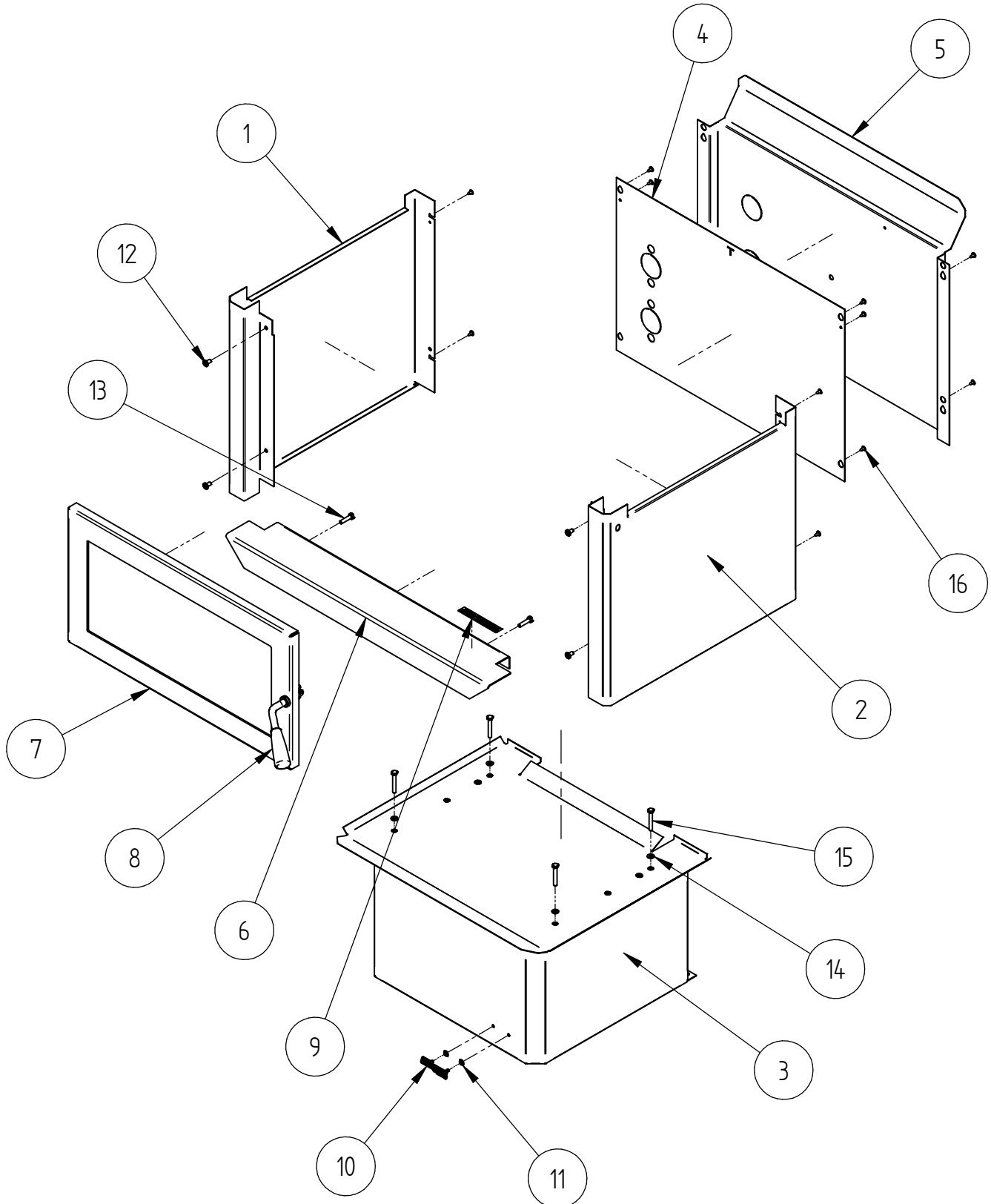


When ordering PLEASE QUOTE PART ID, MODEL Number & DESCRIPTIONS, NOT ITEM Number  
determining left hand side from viewing position

PANELS, DOOR AND PEDESTAL (WANAKA)				
Item	Part ID	Model(s)	Description	Qty
		992925		
1	992106	V02	WANAKA L/H SIDE PANEL	1
2	992123	V02	WANAKA R/H SIDE PANEL	1
3	992132	-	WANAKA PEDESTAL COMPLETE	1
4	KRR00038	-	KRR REAR HEAT SHIELD	1
5	992114	V02	WANAKA BACK PANEL	1
6	992126	V02	WANAKA ASH LIP	1
7	993859	-	WANAKA FINAL DOOR ASSEMBLY	1
8	PYR00376	-	PYR DOOR HANDLE	1
9	595695	-	DECAL "BURN ONLY" LABEL	1
10	587835	-	BADGE MASPORT HEATING	1
11	526001	-	CLIP, STARLOCK DIA.4 SLPO4	2
12	521045	-	SCREW; M6X10 PAN POZI BLK	4
13	521058	-	SCREW; M6X25 HEX ZP	2
14	523031	-	WASHER, FLAT M6 ZP	4
15	521077	-	SCREW; M6X40 HEX ZP	4
16	521627	-	SCREW; S/T8GX3/8' MUSH FLN	14

When ordering PLEASE QUOTE PART ID, MODEL Number & DESCRIPTIONS, NOT ITEM Number  
determining left hand side from viewing position

# PANELS, DOOR AND PEDESTAL (HEARTLAND)

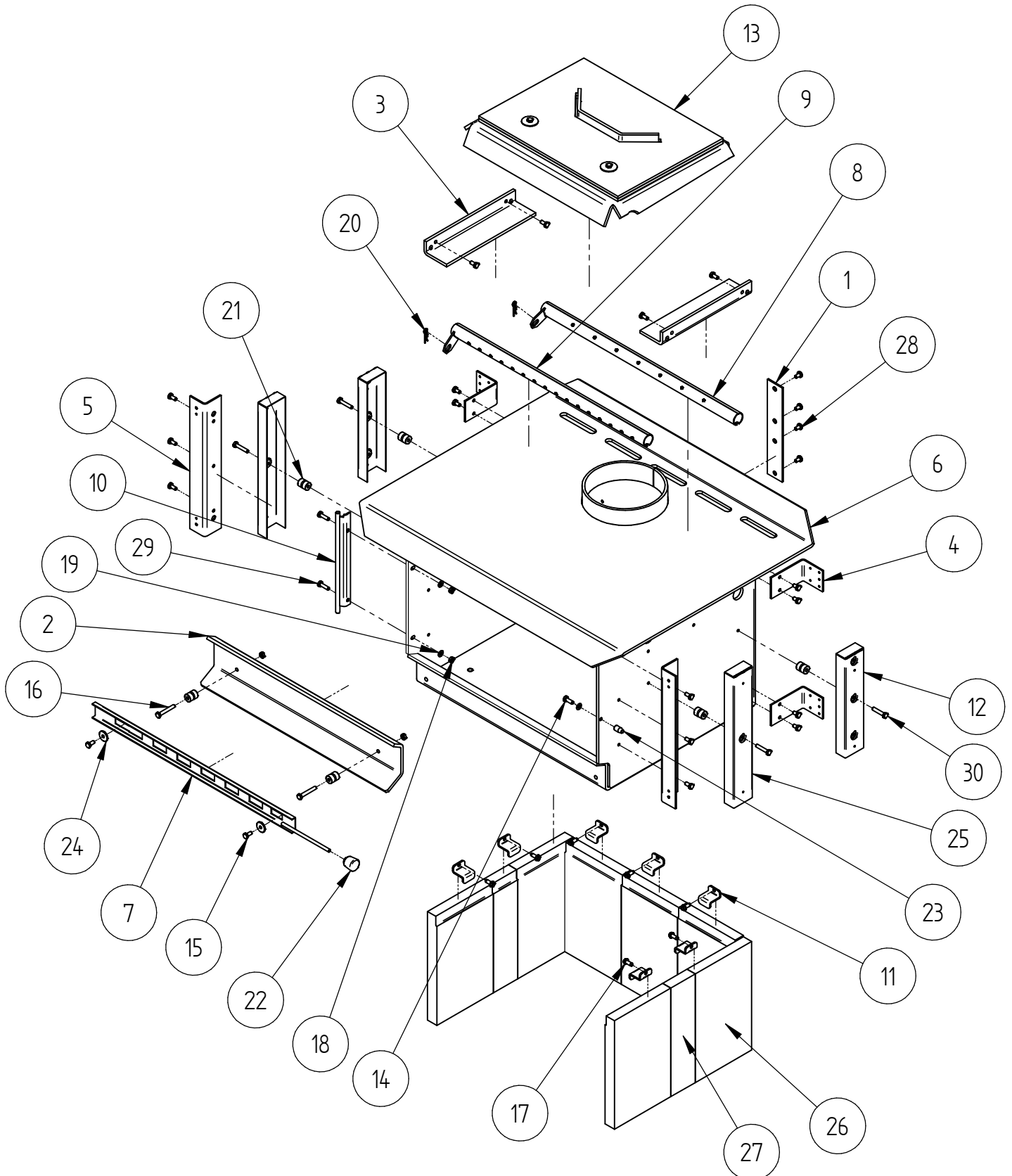


When ordering PLEASE QUOTE PART ID, MODEL Number & DESCRIPTIONS, NOT ITEM Number  
determining left hand side from viewing position

PANELS, DOOR AND PEDESTAL (HEARTLAND)				
Item	Part ID	Model(s)	Description	Qty
		992926		
1	992106	V02	WANAKA L/H SIDE PANEL	1
2	992123	V02	WANAKA R/H SIDE PANEL	1
3	992131	-	HEARTLAND PEDESTAL COMPLETE	1
4	KRR00038	-	KRR REAR HEAT SHIELD	1
5	992114	V02	WANAKA BACK PANEL	1
6	992126	V02	WANAKA ASH LIP	1
7	993859	-	WANAKA FINAL DOOR ASSEMBLY	1
8	PYR00376	-	PYR DOOR HANDLE	1
9	595695	-	DECAL "BURN ONLY" LABEL	1
10	587835	-	BADGE MASPORT HEATING	1
11	526001	-	CLIP, STARLOCK DIA.4 SLP04	2
12	521045	-	SCREW; M6X10 PAN POZI BLK	4
13	521058	-	SCREW; M6X25 HEX ZP	2
14	523031	-	WASHER, FLAT M6 ZP	4
15	521077	-	SCREW; M6X40 HEX ZP	4
16	521627	-	SCREW; S/T8GX3/8" MUSH FLN	14

When ordering PLEASE QUOTE PART ID, MODEL Number & DESCRIPTIONS, NOT ITEM Number  
determining left hand side from viewing position

# AIRSLIDE, BAFFLE, BRICKS AND FIREBOX

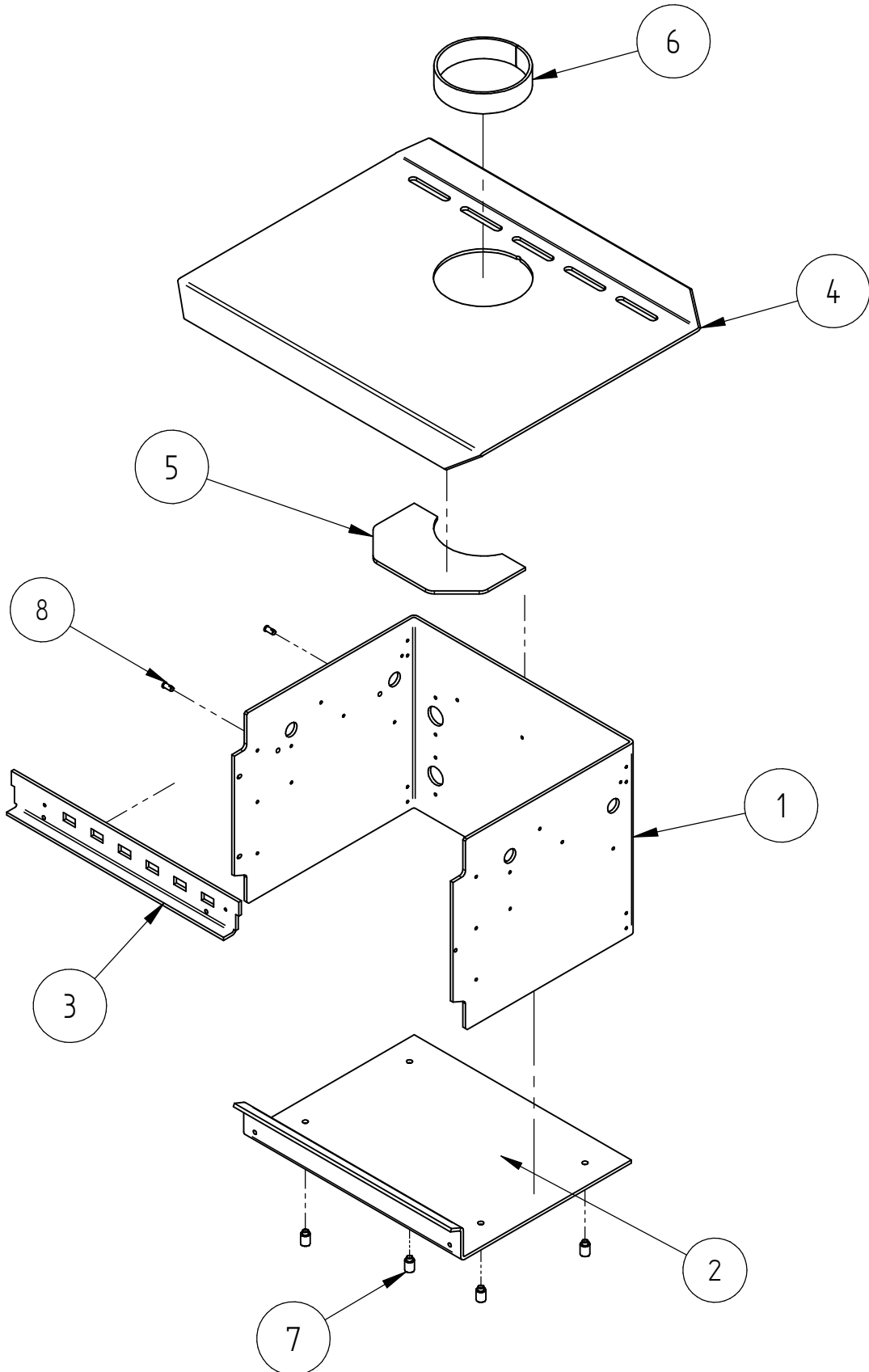


When ordering PLEASE QUOTE PART ID, MODEL Number & DESCRIPTIONS, NOT ITEM Number  
determining left hand side from viewing position

AIRSLIDE, BAFFLE, BRICKS AND FIREBOX					
Item	Part ID	Model(s)		Description	Qty
		992925	992926		
1	AIB00135	-	-	AIB WATER BOOSTER COVER PLATE	1
2	KRR00102	-	-	KRR AIR DEFLECTOR	1
3	KRR00116	-	-	KRR BAFFLE SUPPORT	2
4	KRR00130	-	-	KRR REAR BODY MOUNT BRACKET	4
5	MIR00183	-	-	MIR DOOR RIDDLE	2
6	992101	-	-	WANAKA/HEARTLAND FIREBOX ASSEMBLY	1
7	992133	-	-	WANAKA AIRSLIDE ASSEMBLY	1
8	KRR00136	-	-	KRR REAR AIR BAR ASSEMBLY	1
9	KRR00138	-	-	KRR FRONT AIR BAR ASSEMBLY	1
10	MICAC190	-	-	MIC DOOR HINGE ASSEMBLY	1
11	HBA00118	-	-	HBA BRICK RETAINER	7
12	HCA00164	-	-	HCA SEC AIR CHANNEL	2
13	993080	V02	V02	BAFFLE ASSEMBLY COMPLETED KRONOS	1
14	521076	-	-	SCREW; M6X16 HEX ZP	1
15	521075	-	-	SCREW; M6X12 HEX ZP	12
16	521077	-	-	SCREW; M6X40 HEX ZP	2
17	521632	-	-	SCREW; S/T M6X15 HEX FLANGE NIC TAPTITE	7
18	522117	-	-	NUT, HEX STD M6 ZP	4
19	523031	-	-	WASHER, FLAT M6 ZP	5
20	526101	-	-	CLIP; R-CLIP 1.8 DIA ST	2
21	HBA00129	-	-	HBA AIR DEFLECTOR SPACER	6
22	596551	-	-	LAREDO AIR CONTROL HANDLE	1
23	MIC00079	-	-	LOGAIRE CATCH PIN	1
24	MIC00083	-	-	LOGAIRE METRO AIR SLIDE SPACER	2
25	MIC00123	-	-	MIC SEC AIR CHANNEL	2
26	MIC00354	-	-	MIC BRICK	7
27	MIC00355	-	-	MIC BRICK HALF	2
28	521046	-	-	SCREW; M6X10 PAN POZI ZP	12
29	521054	-	-	SCREW; M6X20 HEX ZP	2
30	521059	-	-	SCREW; M6X30 HEX ZP	4

When ordering PLEASE QUOTE PART ID, MODEL Number & DESCRIPTIONS, NOT ITEM Number  
determining left hand side from viewing position

# FIREBOX DETAILS



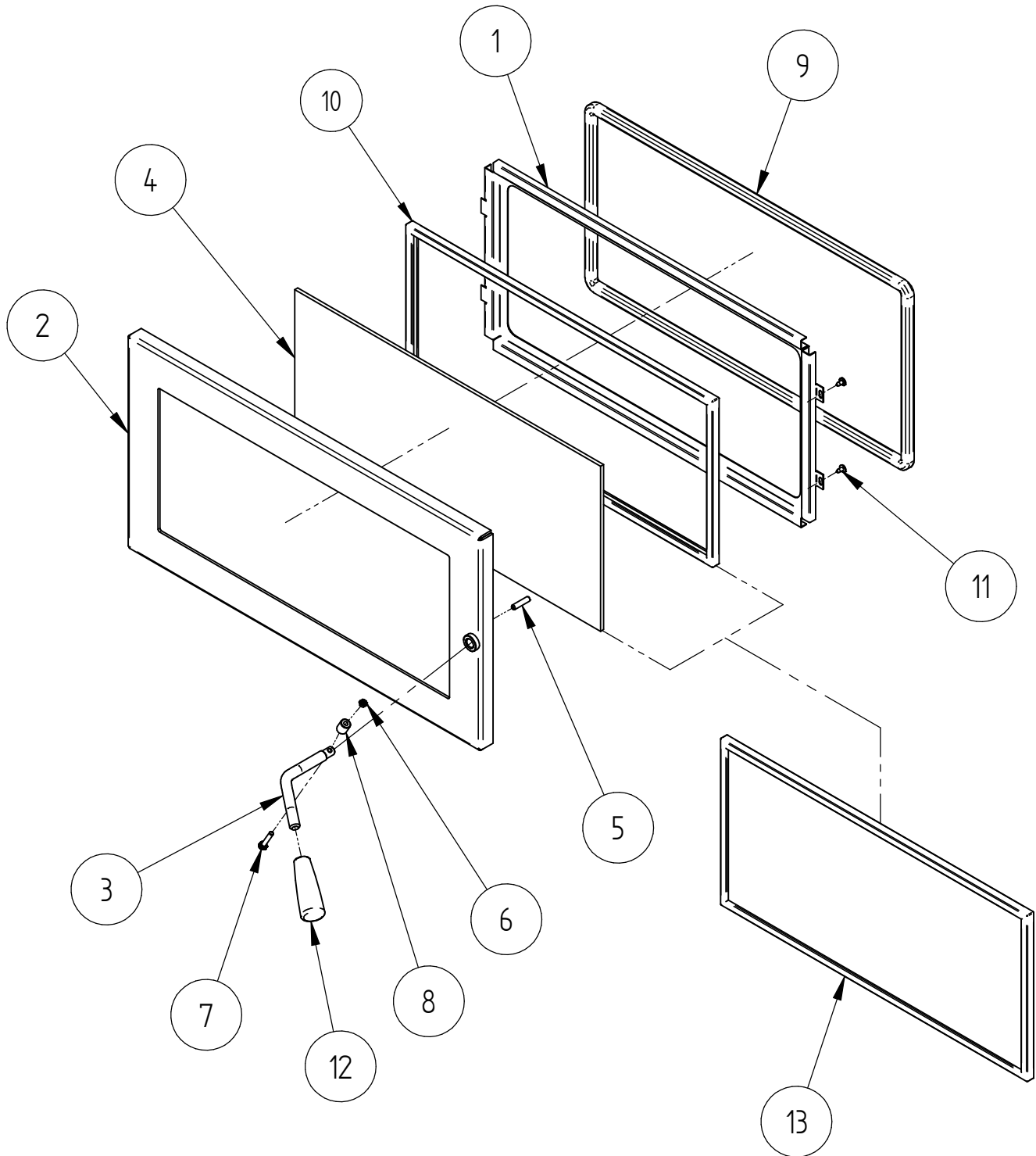
When ordering PLEASE QUOTE PART ID, MODEL Number & DESCRIPTIONS, NOT ITEM Number  
determining left hand side from viewing position



FIREBOX 992101					
Item	Part ID	Model(s)		Description	Qty
		992925	992926		
1	KRR00106	-	-	KRR FIREBOX WRAP	1
2	992134	-	-	WANAKA FIREBOX BASE	1
3	KRR00108	-	-	KRR FIREBOX FRONT	1
4	992102	-	-	WANAKA FIREBOX TOP	1
5	983513	-	-	R10000 TOP PLATE STIFFENER	1
6	CFS00120	-	-	CFS SPIGOT	1
7	MET00429	-	-	FIREBOX BUSH - SPIGOTED	4
8	MIC00137	-	-	MIC AIRBAR PIN	2

When ordering PLEASE QUOTE PART ID, MODEL Number & DESCRIPTIONS, NOT ITEM Number  
determining left hand side from viewing position

# DOOR ASSEMBLY



When ordering PLEASE QUOTE PART ID, MODEL Number & DESCRIPTIONS, NOT ITEM Number  
determining left hand side from viewing position

DOOR ASSEMBLY – 993859					
Item	Part ID	Model(s)		Description	Qty
		992925	992926		
1	PFS00034	-	-	PFS GLASS RETAINER	1
2	PYRAC030	V02	V02	PYR DOOR FRAME ASSEMBLY	1
3	KRR00373	-	-	KRR DOOR LEVER	1
4	PFS00204	V02	V02	PFS – GLASS	1
5	521704	-	-	SCREW, GRUB M6X25 ALLEN BLK	1
6	522901	-	-	NUT, BINX M5 ZP	1
7	521805	-	-	SCREW, CAP M5X25 ALLEN BLK	1
8	PYR00461	-	-	PYR HANDLE ROLLER	1
9	C16MMDR	-	-	DOOR ROPE 16MM X 50M ROLL (MTR)	1
10	C25MMLT	-	-	LADDER TAPE 25X3X50M ROLL (MTR)	1
11	521627	-	-	SCREW, S/T 8GX3/8" MUSH FLANGE POZI BLK	2
12	PYR00376	-	-	PYR DOOR HANDLE	1
13	PFSAC204	-	-	PFS GLASS/TAPE SPARE KIT	1

\*Optional Sale Kit

When ordering PLEASE QUOTE PART ID, MODEL Number & DESCRIPTIONS, NOT ITEM Number  
determining left hand side from viewing position

NOT ILLUSTRATED					
Item	Part ID	Model(s)		Description	Qty
		992925	992926		
1	593286	-	-	OWNER MANUAL WOODFIRES 2010	1
2	593287	-	-	INSTALL MANUAL WOODFIRES 2010	1
3	992138	-	-	WANAKA/HEARTLAND DATA SHEET MASPORT	1
4	KRM00064	-	-	KRM FLUE DEFLECTOR PLATE	1
5	KRRBRICK	-	-	KRONOS CA BRICK LAYOUT	1

SURFACE FINISH CODES FOR PANELS						
VITREOUS ENAMEL		VHT PAINT(Very High Temp)			POWDER COAT	
E01	MATT BLACK	V02	P-000022	METALLIC BLACK	P02	MATT BLACK
E02	GLOSS BLACK	V03	P-000043	CHARCOAL	P03	CHARCOAL
E03	CHARCOAL	V04	P-000081	TITANIUM	P05	SATIN BLACK
		V05	P-000051	CHARCOAL (DAM MET BLK)	P09	METTALIC BLACK
		V06	P-000052	METALLIC BLACK ZINC		

LESS FREQUENTLY OR OLD SURFACE FINISH CODES FOR PANELS						
VITREOUS ENAMEL		VHT PAINT(Very High Temp)			POWDER COAT	
E04	JASMINE	V01		SATIN BLACK HIGH TEMP	P01	BLUE/BLACK
					P04	GLOSS CHARCOAL
					P07	FLAT BLACK

When ordering PLEASE QUOTE PART ID, MODEL Number & DESCRIPTIONS, NOT ITEM Number  
determining left hand side from viewing position