

# Masport<sup>®</sup> Heating

## FREESTANDING WOOD FIRES

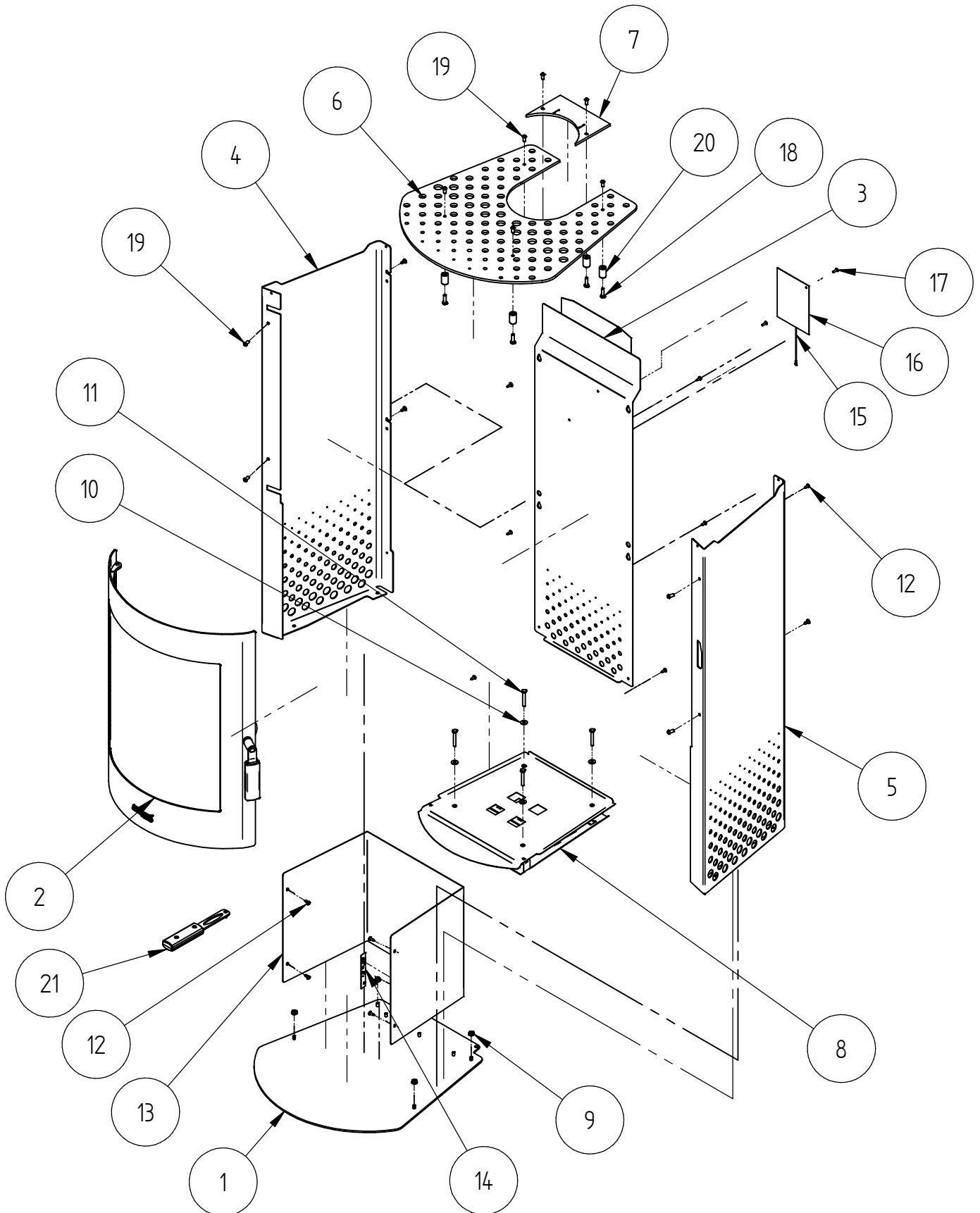
### AKAROA WOOD STACKER - NEW ZEALAND

Item No.	MARKET	FUEL TYPE	FINISHING	YEAR	FAN
981903	NZ	SOFTWOOD	Metallic Black VHT Paint	DEC - 2017	No



When ordering PLEASE QUOTE PART ID, MODEL Number & DESCRIPTIONS, NOT ITEM Number  
determining left hand side from viewing position

# PANELS, DOORS, TOP AND FOOT

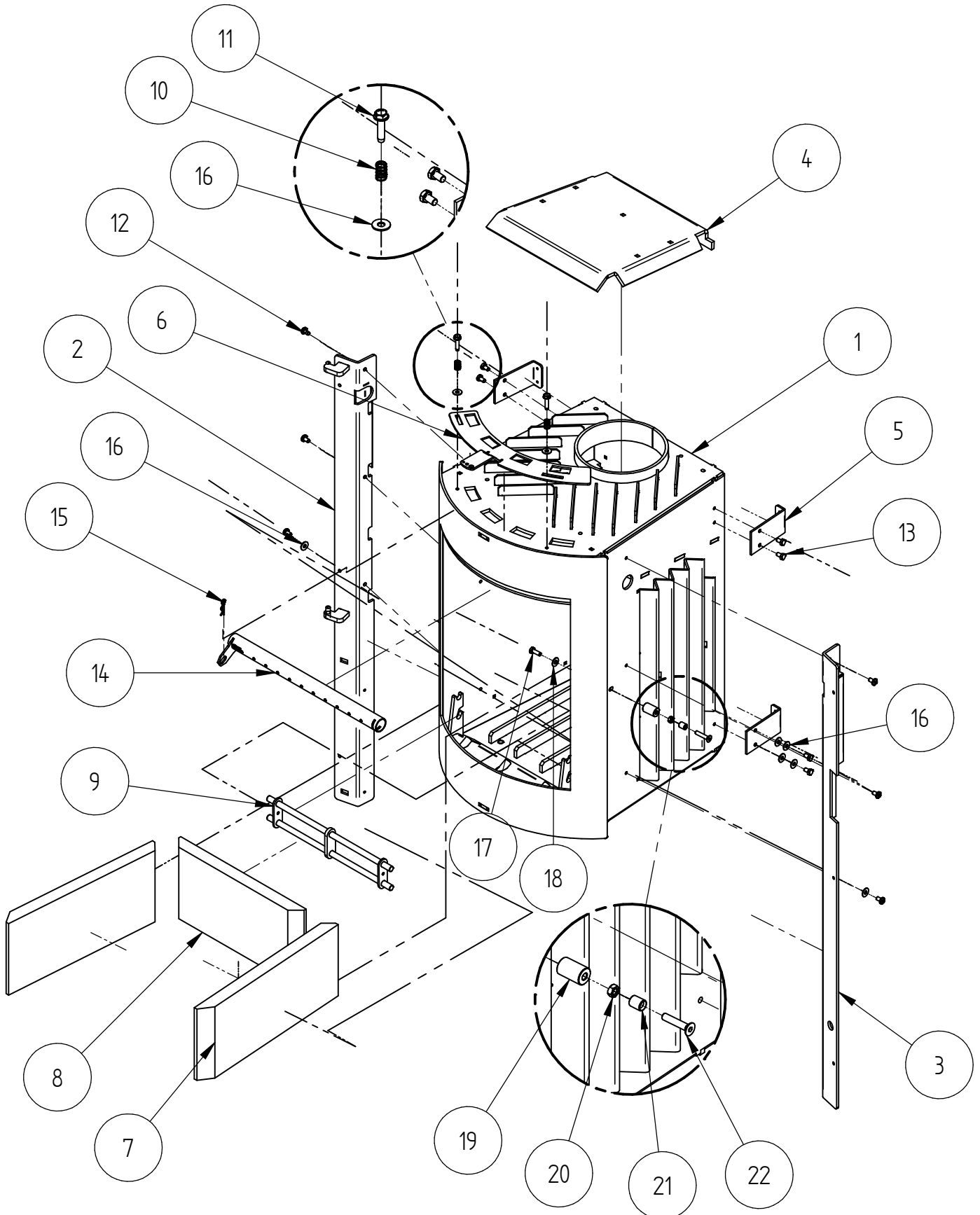


When ordering PLEASE QUOTE PART ID, MODEL Number & DESCRIPTIONS, NOT ITEM Number  
determining left hand side from viewing position

PANELS, DOORS, TOP AND FOOT				
Item	Part ID	Model(s)	Description	Qty
		981903		
1	981043	P08	AKAROA FOOT SUB ASSY BLK MANNEX X5	1
2	981002	-	AKAROA, UPPER DOOR ASSEMBLY	1
3*	981267	V02	AKAROA ADENA REAR PANEL ASSY BK VHT	1
4	981203	V02	AKAROA W/S SIDE PANEL LH MET BLK VHT	1
5	981204	V02	AKAROA W/S SIDE PANEL RH MET BLK VHT	1
6	981089	V02	AKAROA, COOK TOP PANEL	1
7	981092	V02	AKAROA, TOP PANEL REAR FIXTURE	1
8	981235	V02	AKAROA WS HEATSHIELD SUB-ASSY VHT	1
9	522801	-	NUT, SERRATED FLANGE M6 ZP	4
10	523007	-	WASHER, FLAT 1/4"X5/8"X18G ZP	4
11	521077	-	SCREW, M6X40 HEX ZP	4
12	521645	-	SCREW, S/T 8GX1/2" MUSH FLANGE POZI BLK	14
13	981206	P08	AKAROA W/S WRAP BLK MANNEX X5	1
14	595695	-	DECAL "BURN ONLY" COMBINED NZ/AUS	1
15	588360	-	WIRE STRAP 150MM COMPL PLATE	1
16	581222	-	AKAROA WS PLATE COMPLIANCE	1
17	524006	-	RIVET, 73 AS 5-5	2
18	521054	-	SCREW, M6X20 HEX ZP	6
19	521810	-	SCREW, CAP M6X12 BUTTON ALLEN BLK	10
20	581142	-	AKAROA 25mm SPACER BUSH RAW	6
21	981195	-	AKAROA, AIRSLIDE TOOL ASSEMBLY	1

\* ADDITIONAL SHIELD WAS ADDED TO REAR PANEL – JULY 2018 ONWARD.

# AIRSLIDE, BAFFLE, BRICKS AND FIREBOX

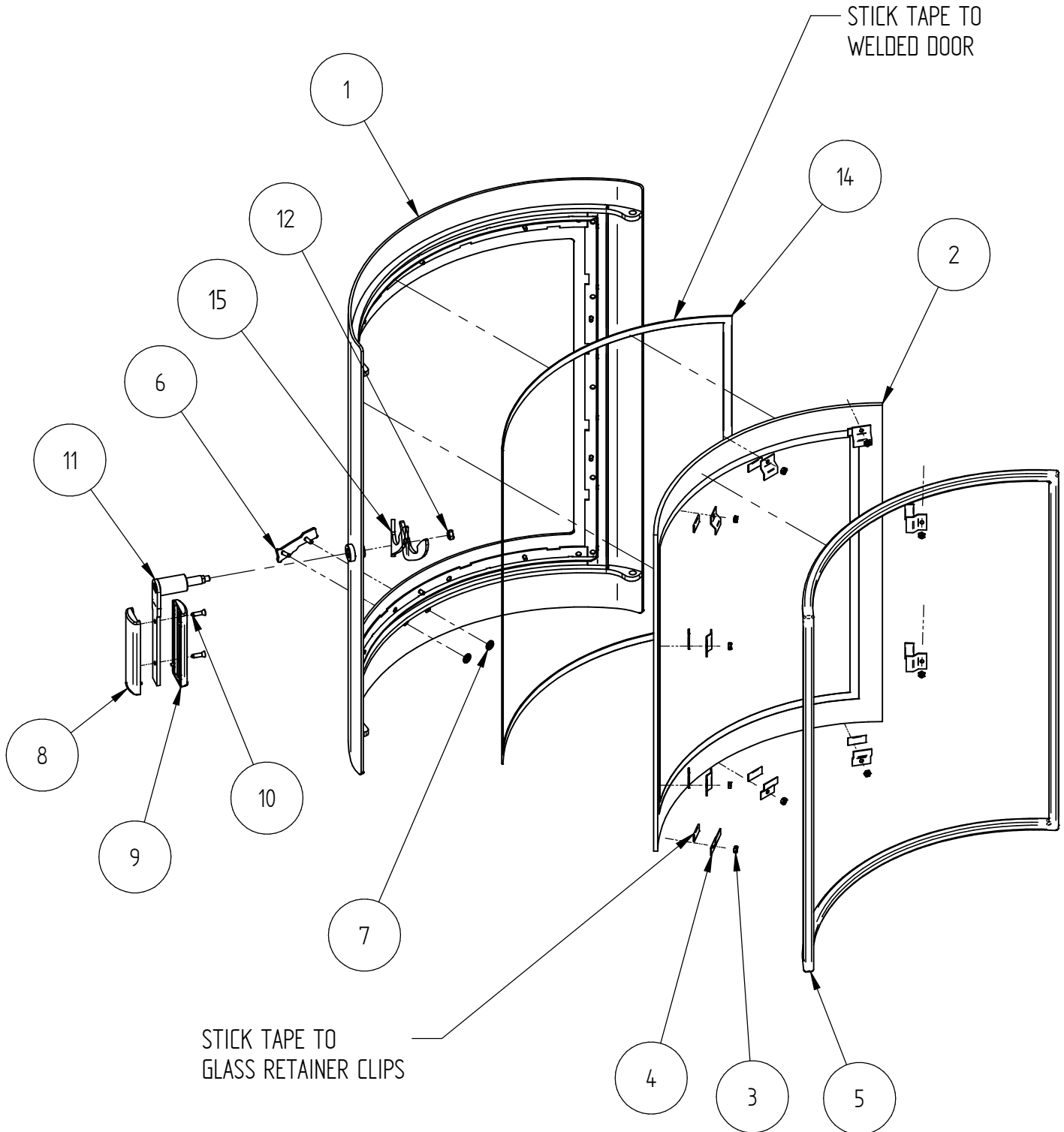


When ordering PLEASE QUOTE PART ID, MODEL Number & DESCRIPTIONS, NOT ITEM Number  
determining left hand side from viewing position

AIRSLIDE, BAFFLE, BRICKS AND FIREBOX				
Item	Part ID	Model(s)	Description	Qty
		981903		
1	981217	-	AKAROA W/S, FIRE BOX ASSEMBLY	1
2	981207	V02	AKAROA W/S DOOR HINGE SUB-ASSY VHT	1
3	981172	V02	AKAROA VERTICLE LONG BKT RH SUB-ASSY	1
4	981004	-	AKAROA, BAFFLE ASSEMBLY	1
5	981025	-	AKAROA, SIDE PANEL BRACKET REAR	4
6	981027	NICKEL PLATE	AKAROA AIRSLIDE NICKEL PLATED	1
7	581060	-	AKAROA, SIDE BRICK	2
8	581061	-	AKAROA, REAR BRICK	1
9	981166	V02	AKAROA, GRILL SET SUB-ASSY	1
10	585223	-	SPRING - COMPRESSION AIR INLET	2
11	521633	-	SCREW, S/T M6X25 HEX FLANGE TAPTITE	2
12	521045	-	SCREW, M6X10 PAN POZI BLK	6
13	521043	-	SCREW, M6X10 HEX ZP	8
14	981110	-	TUBE-SEC AIR 25.4 DIA AKAROA FRONT	1
15	526101	-	CLIP, R-CLIP 1.8 DIA ST	1
16	523007	-	WASHER, FLAT 1/4"X5/8"X18G ZP	12
17	521052	-	SCREW, M6X16 HEX BLK	1
18	523036	-	WASHER, FLAT 1/4"X5/8" BLK	1
19	581142	-	AKAROA 25mm SPACER BUSH RAW	1
20	522107	-	NUT, HEX STD M6 BLK	1
21	ATN00079	-	ATN DOOR CATCH PIN	1
22	521828	-	SCREW, CAP M6X30 CSK ALLEN BLK	1

When ordering PLEASE QUOTE PART ID, MODEL Number & DESCRIPTIONS, NOT ITEM Number  
determining left hand side from viewing position

# UPPER DOOR ASSEMBLY - 981002



When ordering PLEASE QUOTE PART ID, MODEL Number & DESCRIPTIONS, NOT ITEM Number  
determining left hand side from viewing position

UPPER DOOR ASSEMBLY : 981002				
Item	Part ID	Model(s)	Description	Qty
		981903		
1	981003	V02	AKAROA, UPPER DOOR WELDED SUB-ASSY	1
2	581050	-	GLASS W/F AKAROA CURVED R264 5THK	1
3	522104	-	NUT, HEX STD M4 ZP	10
4	981059	-	GLASS RETAIN CLIP (WITH GLASS TAPE)	10
5	C13MMDR	-	DOOR ROPE 13MM	2 METER
6	581148	-	BADGE CURVED MASPORT HEATING	1
7	526009	-	CLIP, STARLOCK M4	2
8	593598	-	DOOR HANDLE FRONT RH PLASTIC	1
9	593599	-	DOOR HANDLE REAR LH PLASTIC	1
10	521650	-	SCREW, 8GX5/8" S/S TYPE 25 C/S POZI	2
11	981132	-	AKAROA HANDLE SUB-ASSY	1
12	522107	-	NUT, HEX STD M6 BLK	1
13	981059	-	GLASS RETAIN CLIP WITH GLASS TAPE	10
14	C10MMGT	-	GLASS FIBRE TAPE	1.8 METER
15	981169	-	AKAROA LOCK PLATE FERROMOLY	1

When ordering PLEASE QUOTE PART ID, MODEL Number & DESCRIPTIONS, NOT ITEM Number  
determining left hand side from viewing position

NOT ILLUSTRATED				
Item	Part ID	Model(s)	Descriptions	Qty
		981903		
1	593286	-	OWNER MANUAL WOODFIRES 2010	1
2	593287	-	INSTALL MANUAL WOODFIRES 2010	1
3	981195	-	AKAROA, AIRSLIDE TOOL ASSEMBLY	1
4	581120	-	AKAROA & AKAROA WS, SW DATA SHEET	1
5	581119	-	AKAROA, BRICK LAYOUT	1

SURFACE FINISH CODES FOR PANELS				
VHT PAINT(Very High Temp)			POWDER COAT	
V02	P-000022	METALLIC BLACK	P02	MATT BLACK
			P08	MANNEX X5 BLACK

When ordering PLEASE QUOTE PART ID, MODEL Number & DESCRIPTIONS, NOT ITEM Number  
determining left hand side from viewing position