

Masport®

LE 7000 PROVINCIAL (AUST)

Part Number (Firebox) 987930

96/97/98

Part Numbers (Fascia) Matt Black 987932

From Serial Number 3000117

Fan Box & Grill attached to Fascia

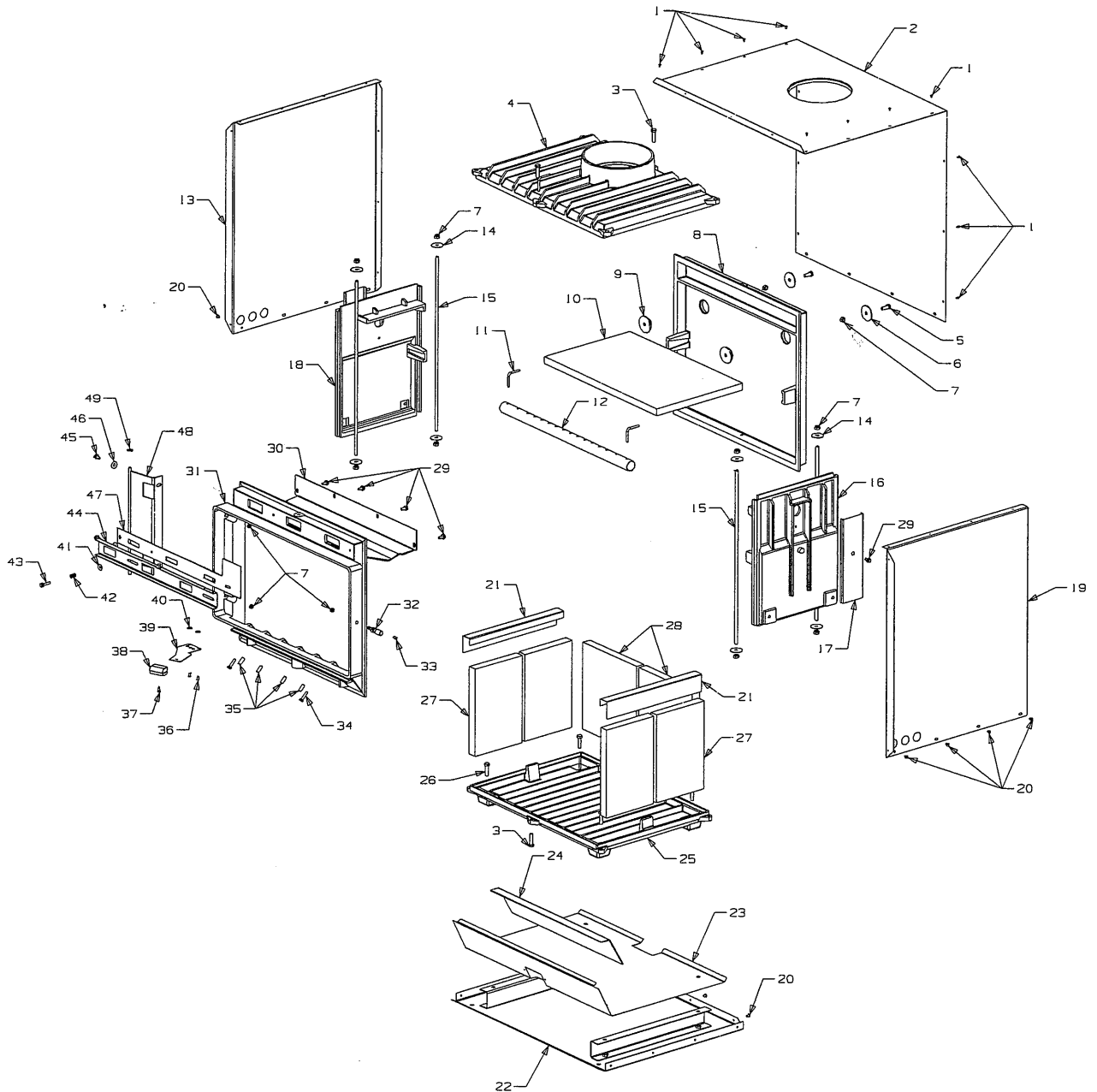
Apr 2004





Masport®

LE 7000
PROVINCIAL
(1997 to _____)



When ordering PLEASE QUOTE PART NUMBER & Description, NOT Illustration No.
Determine right or left hand side from standing in operating position (standing at handle)



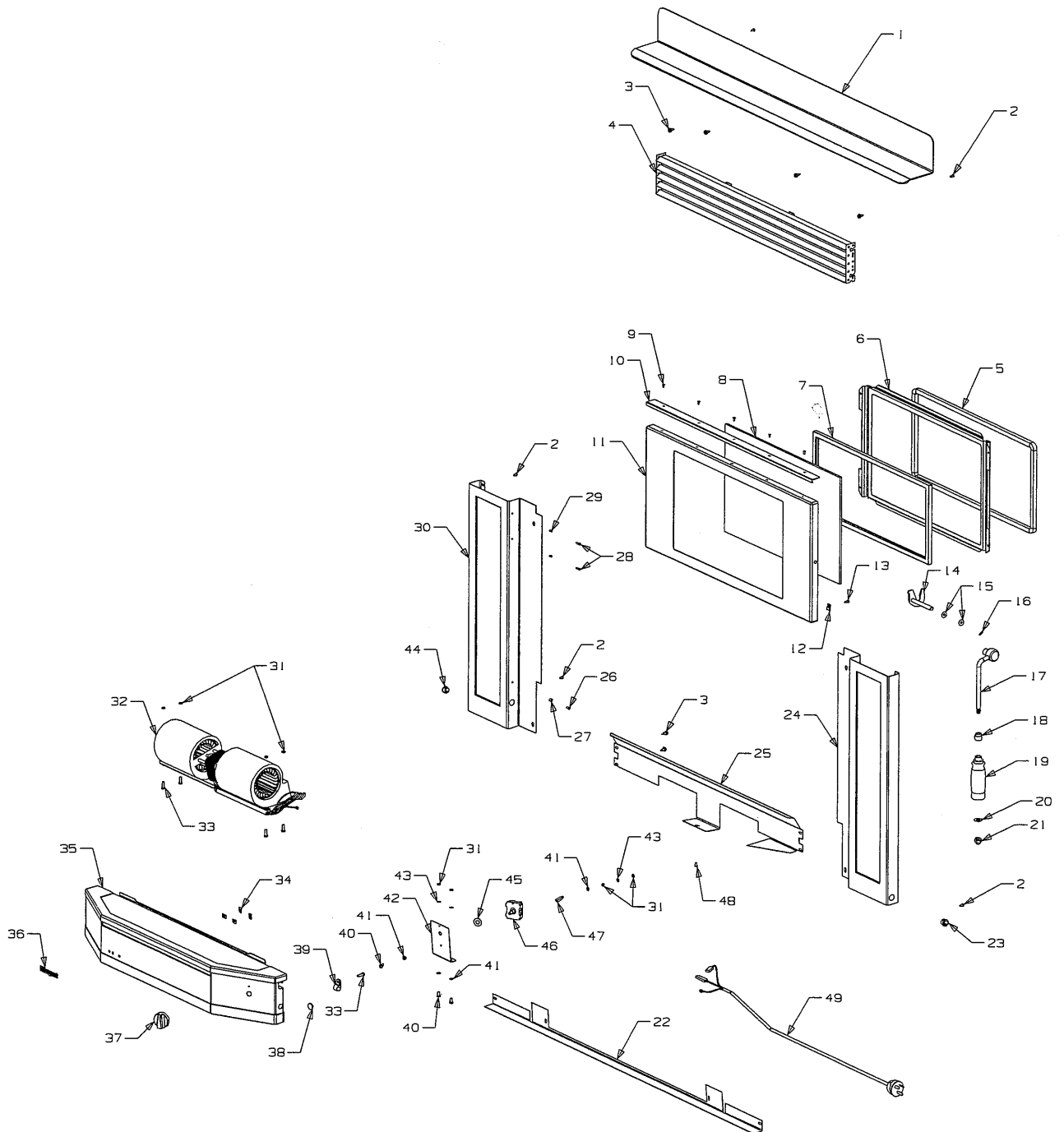
| Item No | Part No | Description | Qty | Item No | Part No | Description | Qty |
|---------|---------|--------------------------------------|-----|---------|---------|----------------------------------|-----|
| 1 | 501767 | Rivet-Pop 3.2 Dia x 3.2 | 14 | 24 | 986720 | Plate-Base Inner | 1 |
| 2 | 986703 | Case-Outer, Top & Rear | 1 | 25 | 987304 | Firebox-Bottom | 1 |
| 3 | 501685 | Screw, Set M8 x 30 Hex | 6 | 26 | 501843 | Screw, Set M8 x 40 Hex | 4 |
| 4 | 987302 | Firebox-Top | 1 | 27 | 987375 | Brick-Fire, Side | |
| | 984090 | Plug Assy - 34mm Dia | | | | - 160 x 250 x 25 | 4 |
| | | (Incl. Items 5-7 (2), 9 (2)) | 2 | 28 | 787112 | Brick-Fire, Back | |
| 5 | 501597 | Screw, Set M8 x 20 Hex | 2 | | | - 223 x 250 x 25 | 2 |
| 6 | 502093 | Washer, Flat 8 x 42 x 3.0 | 2 | 29 | 503003 | Screw; S/T 1/4" x .5 Hex | 6 |
| 7 | 501602 | Nut, M8 Hex | 13 | 30 | 987138 | Deflector-Primary Air | 1 |
| 8 | 987303 | Firebox-Back | 1 | 31 | 986751 | Firebox-Front | 1 |
| 9 | 684089 | Plug - 34mm Dia | 2 | 32 | 586133 | Pin-Door Latch | 1 |
| 10 | 787109 | Board-Firebox, Top (1 Pack) | | 33 | 501682 | Nut, M6 Hex | 2 |
| | | 20 x 2 90 x 470 | 1 | 34 | 501963 | Screw, Set M6 x 25 Hex | 2 |
| | 987373 | Board-Firebox, Top (5 Pack) | | 35 | 503008 | Pin, Tension 8.0 x 20 | 4 |
| | | 20 x 2 90 x 470 | 1 | 36 | 586167 | Rivet-Pop 4.0 Dia x 4.8 | 2 |
| 11 | 586439 | Pin-Retaining, Secondary Air Tube | 2 | 37 | 503004 | Screw; Csk No. 8 x 5/8" | 1 |
| 12 | 986437 | Tube-Secondary Air - 12 x 6.5 S/S | 1 | 38 | 586162 | Knob-Air Control | 1 |
| 13 | 986717 | Case-Outer, LH Side | 1 | 39 | 986712 | Extension-Air Slide | 1 |
| 14 | 501021 | Washer, Flat 5/16" x 1.25 | 4 | 40 | 500848 | Washer, Flat 3/16" | 2 |
| 15 | 587108 | Rod-Tie, M8 | 4 | 41 | 500374 | Washer, Flat 1/4" | 2 |
| 16 | 787107 | Firebox-Side, RH | 1 | 42 | 585223 | Spring-Compression, Air Inlet | 2 |
| 17 | 986146 | Cover-Secondary Air | 2 | 43 | 503336 | Screw, S/T M 6 x 25 | 2 |
| 18 | 787100 | Firebox-Side, LH | 1 | 44 | 987155 | Slide-Air Inlet, 20 x 50 | 1 |
| 19 | 986704 | Case-Outer, RH Side | 1 | 45 | 501597 | Screw; Set M8 x 20 | 2 |
| 20 | 503272 | Rivet-Pop 4.8 Dia x 4.8 | 12 | 46 | 501606 | Washer, Flat 8 x 19 x 1.6 | 2 |
| 21 | 987146 | Channel-Brick Retainer S/S | 2 | 47 | 987178 | Plate-Back, Meter - 5ID Holes | 1 |
| 22 | 986700 | Base Assembly | 1 | 48 | 987139 | Hinge Assy | 1 |
| 23 | 986719 | Heatshield-Bottom | 1 | 49 | 006025 | Washer, Flat 5/16" | 1 |

Bold Text = Assemblies
Bulleted Text = Items included in Assemblies

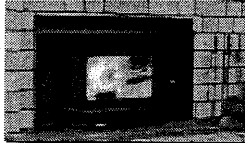


Masport®

**LE 7000
PROVINCIAL**
(1997 to _____)



When ordering PLEASE QUOTE PART NUMBER & Description, NOT Illustration No.
Determine right or left hand side from standing in operating position (standing at handle)



Masport[®]

LE 7000
PROVINCIAL
 (1997 to _____)

286813

| Item No | Part No | Description | Qty | Item No | Part No | Description | Qty |
|---------|---------|-------------------------------------|-----|---------|---------|--|-----|
| 1 | 986758 | Fascia-Top - Matt Black | 1 | 26 | 503588 | Rivet-Pop 4.0 Dia x 16 | 2 |
| 2 | 586737 | Screw, S/T 8 x 10 | 4 | 27 | 988088 | Spacer-Control Panel | 2 |
| 3 | 503259 | Screw, S/T 10 x .5 | 10 | 28 | 503165 | Rivet-Pop 3.2 Dia x 6.4 | 4 |
| 4 | 986632 | Grille-5 Louvre - Metallic Black | 1 | 29 | 985310 | Bush | 4 |
| 5 | 793042 | Rope-Door | 1 | 30 | 786811 | Panel-Side, LH - Matt Black | 1 |
| 6 | 987124 | Retainer-Glass | 1 | 31 | 501856 | Nut, M5 Hex | 9 |
| 7 | 793043 | Tape-Door | 1 | 32 | 786732 | Fan-3 Speed, Double End -Without Switch | 1 |
| 8 | 787111 | Glass - 5 x 458 x 293 | 1 | 33 | 501580 | Screw, Pan M5 x 16 | 5 |
| 9 | 503429 | Rivet-Pop 3.2 Dia x 4.8 | 5 | 34 | 503381 | Push Fix, Spire | 4 |
| 10 | 986212 | Trim-Door - Gold | 1 | 35 | 786814 | Shelf-Ash - Matt Black | 1 |
| 11 | 787018 | Panel-Door - Matt Black | 1 | 36 | 584581 | Badge | 1 |
| 12 | 503001 | Nut-Spire | 8 | 37 | 585625 | Knob-Fan Switch | 1 |
| 13 | 501480 | Screw, S/T 8 x .5 | 4 | 38 | 586736 | Bumpon - 3M | 2 |
| 14 | 986630 | Latch, Door Assy - 10mm | 1 | 39 | 586733 | Clamp-Cable | 1 |
| 15 | 500374 | Washer, Flat 1/4" | 2 | 40 | 501857 | Screw, Pan M5 x 10 | 3 |
| 16 | 503006 | Pin, Tension 4.0 x 16 | 1 | 41 | 503371 | Washer, Fan Disc - 5ID x 10OD Ext | 3 |
| 17 | 586714 | Handle Assy | 1 | 42 | 986727 | Plate-Switch | 1 |
| 18 | 586724 | Ferrule Brs | 1 | 43 | 503106 | Washer, Flat 5 Brs | 3 |
| 19 | 586722 | Handle-Door | 1 | 44 | 586735 | Plug-Plastic | 1 |
| 20 | 586725 | Washer, Flat M10 x 21 | 1 | 45 | 501704 | Washer, Flat 10 x 21 x 1.6 | 3 |
| 21 | 586726 | Nut, M10 Hex Dome | 1 | 46 | 585624 | Switch-4 Position | 1 |
| 22 | 986716 | Mounting-Bracket, Fascia | 1 | 47 | 586738 | Cover-Terminal | 1 |
| 23 | 586734 | Bush-Plastic | 2 | 48 | 503009 | Screw, S/T 8 x .312 | 1 |
| 24 | 786812 | Panel-Side, RH - Matt Black | 1 | 49 | 588068 | Loom-3 Pin, Fan | 1 |
| 25 | 986711 | Heatshield-Fan | 1 | | | | |

Bold Text = Assemblies
Bulleted Text = Items included in Assemblies



Masport®

LE 7000
PROVINCIAL
(1997 to _____)

| Item No | Part No | Description | Qty |
|----------------|----------------|---|------------|
| | | NOT ILLUSTRATED | |
| | 585416 | Bag-Fire Bedding Sand (Firebox) | 2 |
| | 588507 | Terminal-Utilux, 6.3mm | 1 |
| | 584048 | Tube-Maniseal (Firebox) | 1 |
| | 993048 | Channel-Baffle, Reinforcer (Top Fire Board) | 1 |
| | 593000 | Manual | 1 |
| | | ASSEMBLYS | |
| | 987300 | Firebox Assembly | 1 |
| | 987320 | Door Assy - No Glass - Black | 1 |
| | 987329 | Door Assy, Complete - Black | |
| | | ACCESSORIES | |
| | 586202 | Paint, Touch Up - Matt Black | 1 |

HEAD OFFICE - NEW ZEALAND

1 - 37 Mt Wellington Hwy
Panmure, Auckland 6
Phone: (64 9) 571 1200
Fax: (64 9) 571 5864

HEAD OFFICE - AUSTRALIA

P.O. Box 533 Mordialloc
Braeside 3195
Phone: 1300 366 225
Fax: 1800 035 594