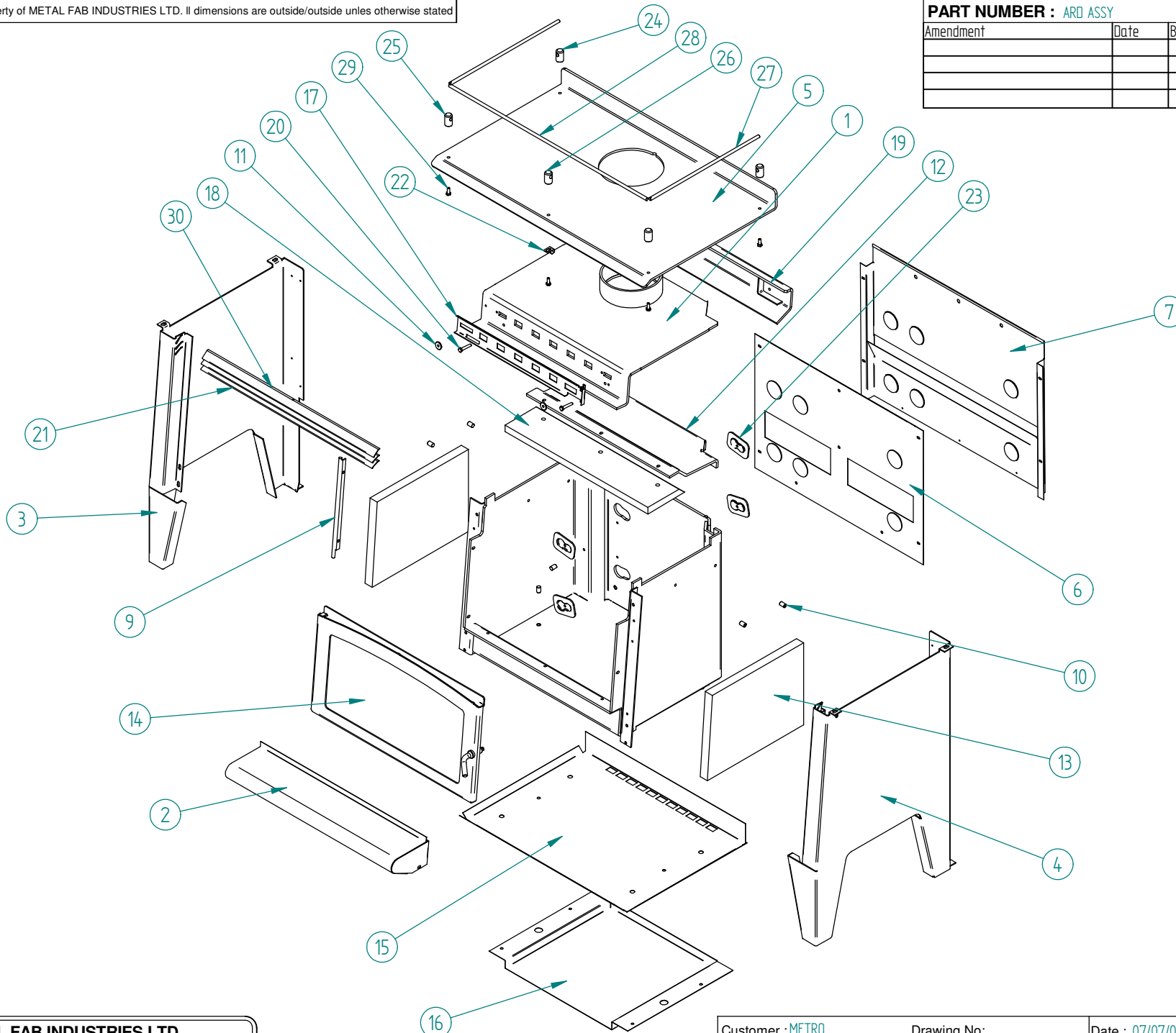


**PART NUMBER : ARD ASSY**

**REVISION LEVEL :**

Amendment	Date	By

Tolerances Unless Specified		
Decimal Places	0	+/- 0.5
	0.0	+/- 0.1
	0.00	+/- 0.05



Weight = 0.000 kg

**METAL FAB INDUSTRIES LTD**  
 38 HARRIS ROAD, EAST TAMAKI, AUCKLAND, NEW ZEALAND  
 Ph 09 274 8265, Fax 09 274 8472, Email : engdept@metalfab.co.nz

Customer : METRO	Drawing No:	Date : 07/07/05	Drawn By: DL	Checked By :
Part Name : ARD ASSEMBLY	Material :	Finish : Natural		

This drawing is the Property of METAL FAB INDUSTRIES LTD. If dimensions are outside/outside unless otherwise stated

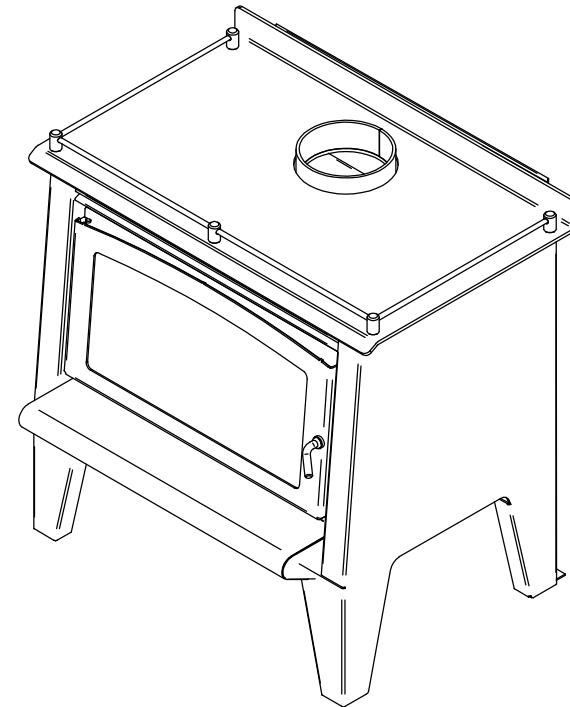
**PART NUMBER : ARD ASSY**

**REVISION LEVEL :**

Item Number	Document Number	Title	Material	Quantity
1*	ARDAC004	ARD FIREBOX		1
2*	ARDAC011	ARD ASHSHELF		1
3*	ARD00006	ARD SIDE PANEL L/H	Cold Roll 2.5mm	1
4*	ARD00007	ARD SIDE PANEL R/H	COLD ROLL 2.5mm	1
5*	ARD00001	ARD COOK TOP PLATE	HOT ROLL 6.0mm	1
6*	ARD00038	ARD HEAT SHIELD	Zintec 1.0 mm	1
7*	ARD00012	ARD BACK PANEL	Zintec 1.0 mm	1
8*	FSFLATWSHR5MM	FLAT WASHER 5 MM	Purchased	2
9*	MSPAC190	MSP HINGE COMPLETE		1
10*	MET00075	MET BRICK RETAINER PIN	10MM BMS FREE MACHINING	8
11*	MIC00083	LOGAIRE METRO AIR SLIDE SPACER	7/8" BMS FREE MACHINING	2
12	MSP00109	MSP BAFFLE	Hot Rolled 6.0mm	1
13*	MET00354	METRO CONCRETE BRICK	CONCRETE BRICK	2
14*	ARDAC730	ARD FINISHED DOOR ASSEMBLY		1
15*	MSP00176	MSP BASE HEAT SHIELD	Zintec 1.0mm	1
16*	MSP00175	MSP PEDESTAL HEAT SHIELD	Zintec 1.0mm	1
17*	ARD00036	ARD AIRSLIDE	COLD ROLL 1.6mm	1
18*	MSP00741	MSP PROMATE PANEL	PROMATE	1
19	MEXAC102	XTREME AIR DEFLECTOR SUBASSEMBLY		1
20*	FSBOLTM6X35ZP	bolt m6 x 35 zinc plated	Purchased	2
21*	ARD00017	ARD ALUMINIUM LOUVRE(SUPPLIED BY PIONEER)	ALUMINIUM	3
22*	ARD00014	ARD LOUVRE BRACKET	Zintec 1.0mm	1
23*	MET00135	MET WETBACK COVER PLATE	Hot Rolled 3.0 mm	4
24*	ARD00700	ARD RAIL END BUSH	steel	2
25*	ARD00701	ARD RAIL CORNER BUSH	steel	2
26*	ARD00702	ARD RAIL THROUGH BUSH	steel	1

Amendment	Date	By

Tolerances Unless Specified  
 Decimal Places 0 +/- 0.5  
 0.0 +/- 0.1  
 0.00 +/- 0.05



Item Number	Document Number	Title	Material	Quantity
27*	RAIL MMR00703	MMR00703	MILD STEEL	2
28*	ARD00704	ARD00704 RAIL	MILD STEEL	1
29*	F-M6X16-HB-SC-ZP	BOLT M6 X 16 ZINC PLATED	Purchased	5
30*	ARD00344	LOUVRE SPACER - LONG	Steel	1
31*	MSP00344	LOUVRE SPACER - LONG	steel	1

Weight = 0.000 kg

**METAL FAB INDUSTRIES LTD**  
 38 HARRIS ROAD, EAST TAMAKI, AUCKLAND, NEW ZEALAND  
 Ph 09 274 8265, Fax 09 274 8472, Email : engdept@metalfab.co.nz

Customer : METRO	Drawing No:	Date : 07/07/05	Drawn By: DL	Checked By :
Part Name : ARD ASSEMBLY		Material :	Finish : Natural	