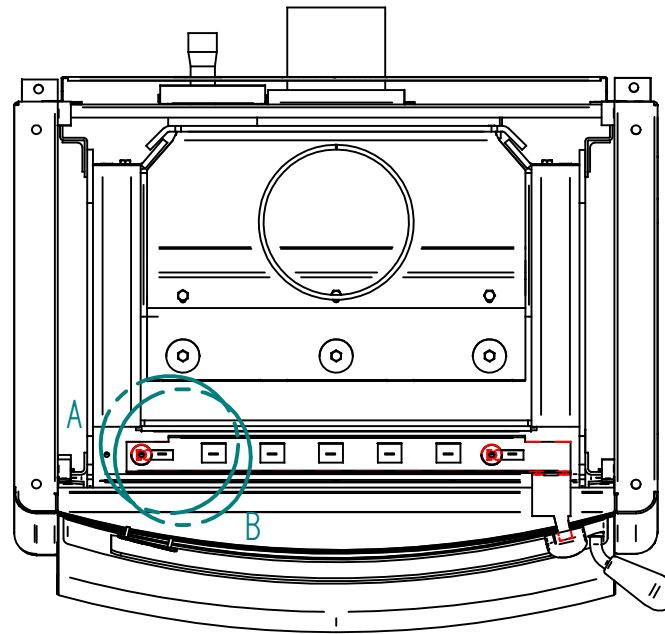


This drawing is the Property of METAL FAB INDUSTRIES LTD. All dimensions are outside/outside unless otherwise stated.

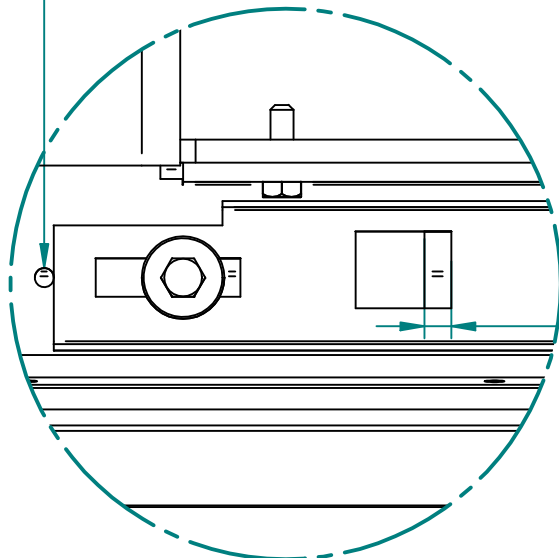
ATRE - ECO ASPIRE TRAD
HI-LOW AIRSLIDE OPENINGS

PART NUMBER : ATRE ASSEMBLY		
Amendment	Date	By

REVISION LEVEL :	
Tolerances Unless Specified	
Decimal Places 0	+/- 0.5
	0.0 +/- 0.1
	0.00 +/- 0.05

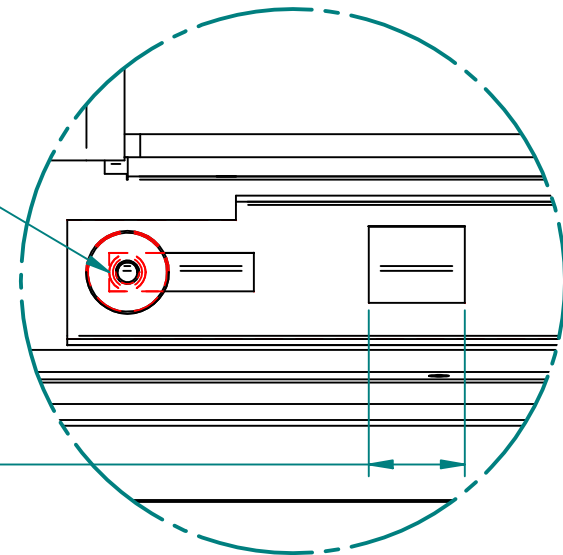


LOW SETTING STOP POSITION



DETAIL A

HIGH SETTING STOP POSITION



DETAIL B

7,0 TYP OPENING

25,0 TYP OPENING

Weight = 0.000 kg

METAL FAB INDUSTRIES LTD
38 HARRIS ROAD, EAST TAMAKI, AUCKLAND, NEW ZEALAND
Ph 09 274 8265, Fax 09 274 8472, Email : engdept@metalfab.co.nz

Customer : PIONEER/METRO Drawing No:	Drawn : MR/LK Date : 09-Jun-06	Chk'd By :
Part Name: ATRE - ECO METRO ASPIRE TRAD	Modified : leonk Date : 27-Oct-06	Material :
		Finish : Natural