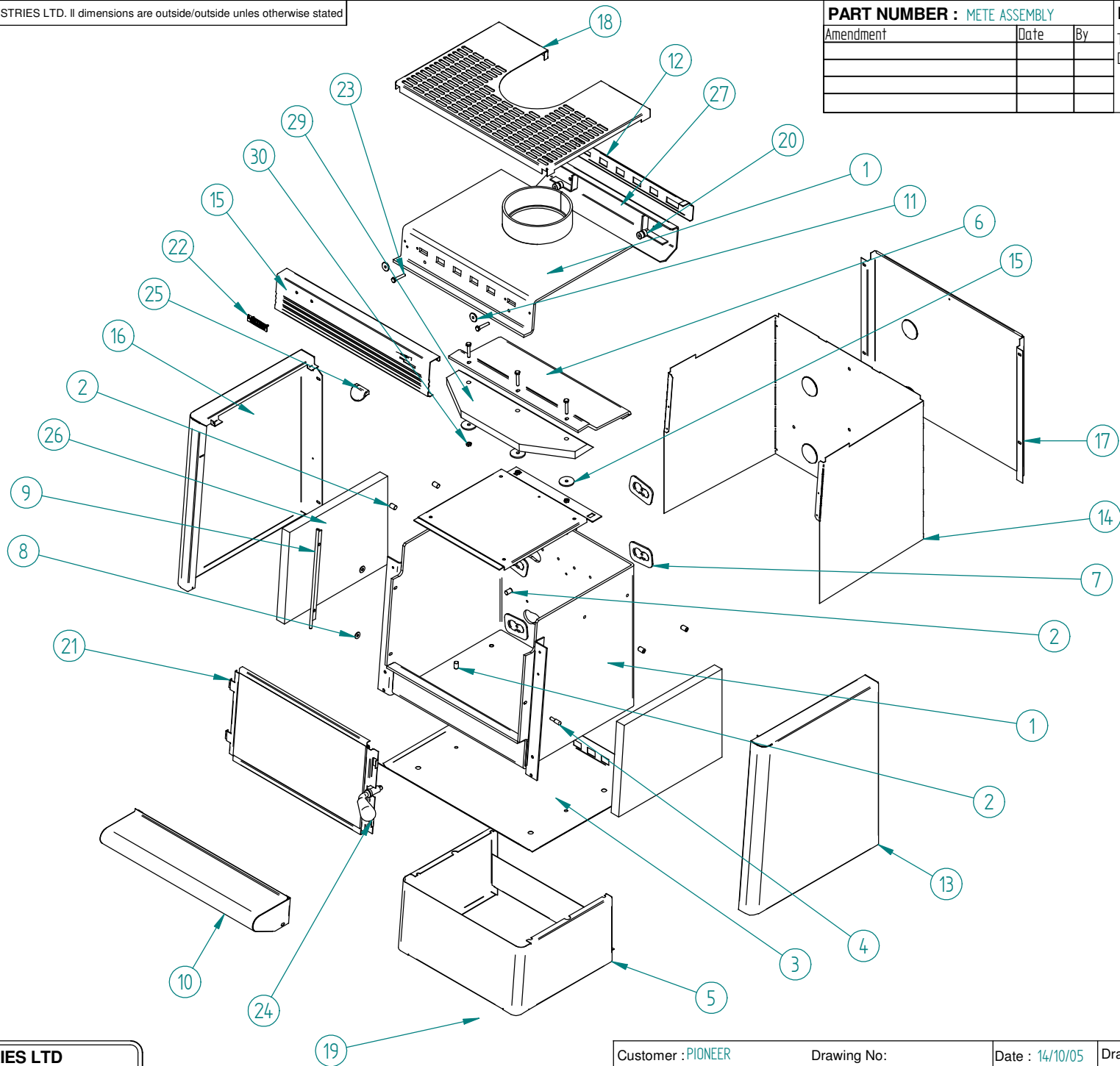


PART NUMBER : METE ASSEMBLY

REVISION LEVEL :

Amendment	Date	By

Tolerances Unless Specified
 Decimal Places 0 +/- 0.5
 0.0 +/- 0.1
 0.00 +/- 0.05



This drawing is the Property of METAL FAB INDUSTRIES LTD. If dimensions are outside/outside unless otherwise stated

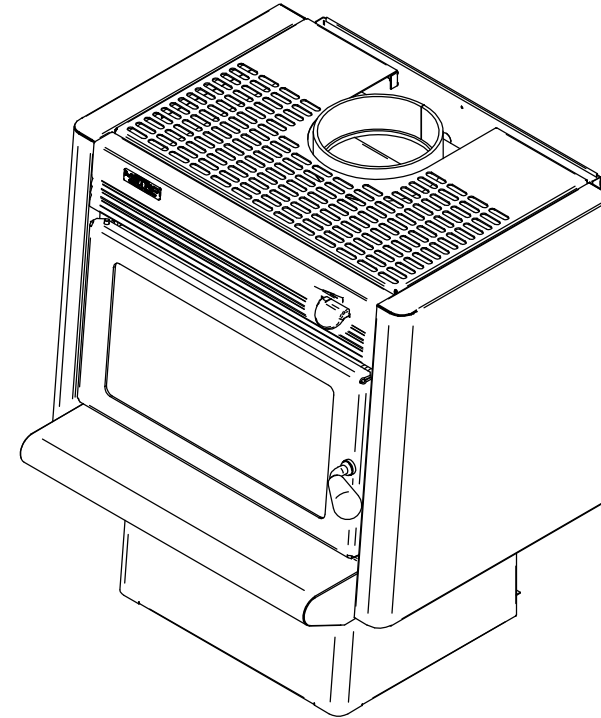
PART NUMBER : METE ASSEMBLY

REVISION LEVEL :

Amendment	Date	By

Tolerances Unless Specified
 Decimal Places 0 +/- 0.5
 0.0 +/- 0.1
 0.00 +/- 0.05

Item Number	Document Number	Title	Material	Quantity
1*	METEAC004	MEC FIRE BOX SUB ASSY.		1
2*	MET00075	MET BRICK RETAINER PIN	10MM BMS FREE MACHINING	8
3*	MET00176	MET BASE HEAT SHIELD	Zintec 0.8mm	1
4*	MET00079	MET CATCH PIN	8MM BMS FREE MACHINING	1
5*	METAC020	MET PEDESTAL SUB ASSY.		1
6*	MET00109	MET BAFFLE	HOT ROLL 6.0mm	1
7*	MET00135	MET WETBACK COVER PLATE	Hot Rolled 3.0 mm	4
8*	F-1_4X5_8-FW-BLK	FLAT WASHER 5 MM	Purchased	2
9	METAC190	MET DOOR HINGE SUB ASSY.		1
10*	METAC011	ASH SHELF SUB ASSY.		1
11*	MIC00083	LOGAIRE METRO AIR SLIDE SPACER	7/8" BMS FREE MACHINING	2
12*	MET00036	METRO-2 AIR SLIDE	Cold Rolled 1.6mm	1
13*	MET00007	METR/H SIDE PANEL	Enamel 1.2mm	1
14*	MET00038	MET REAR HEAT SHIELD	Zintec 0.8mm	1
15*	MET00016	MET AIR SLIDE COVER	ENAMEL 1.2mm	1
16*	MET00006	MET L/H SIDE PANEL	Enamel 1.2mm	1
17*	MET00012	MET REAR PANEL	Zintec 0.8mm	1
18*	MET00003	MET TOP GRILL	Enamel 1.6mm	1
19*	METAC125	METRO MOUNT PLATE		1
20*	HBA00129	HBA AIR DEFLECTOR SPACER	16MM BMS FREE MACHINING	2
21*	METAC730	MET DOOR ASSEMBLY		1
22*	METE00740	METRO ECO BADGE	Purchased	1
23*	F-M6X35-HB-SC-ZP	BOLT M6 x 35 ZP	Purchased	5
24*	MET00376	MET DOOR HANDLE - WOODEN	Wood	1
25*	MET00375	MET AIR CONTROL KNOB	PLASTIC	1
26*	MET00354	METRO CONCRETE BRICK	CONCRETE BRICK	2
27*	METAC102	MET AIR DEFLECTOR ASSEMBLY		1
28*	MET00035	MET BAFFLE WASHER	Cold Rolled 3.0 mm	3



Item Number	Document Number	Title	Material	Quantity
29*	MET00741	MET PROMATE BAFFLE	Promate	1
30*	F-M6-HN-ZP	HEX NUT M6 ZP	Purchased	3

METAL FAB INDUSTRIES LTD
 38 HARRIS ROAD, EAST TAMAKI, AUCKLAND, NEW ZEALAND
 Ph 09 274 8265, Fax 09 274 8472, Email : engdept@metalfab.co.nz

Customer : PIONEER	Drawing No:	Date : 14/10/05	Drawn By:MR	Checked By :
Part Name : MEC ASSEMBLY			Material :	Finish :Natural