

This drawing is the Property of METAL FAB INDUSTRIES LTD. All dimensions are outside/outside unless otherwise stated.

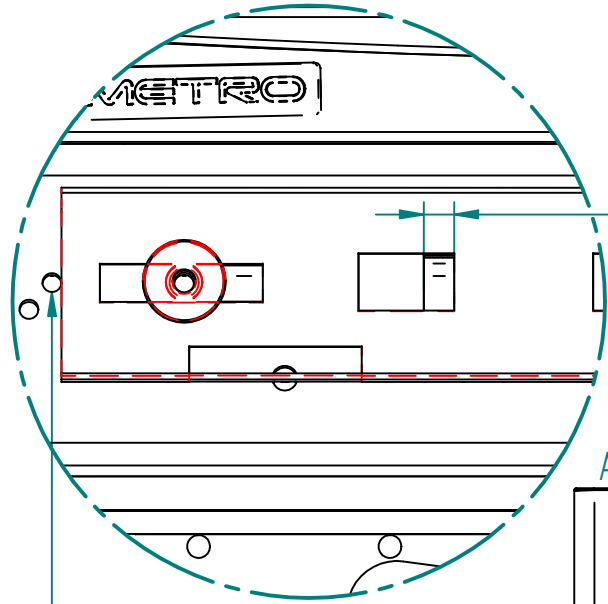
PART NUMBER :

Amendment	Date	By

REVISION LEVEL :

Tolerances Unless Specified	
Decimal Places	0 +/- 0.5
	0.0 +/- 0.1
	0.00 +/- 0.05

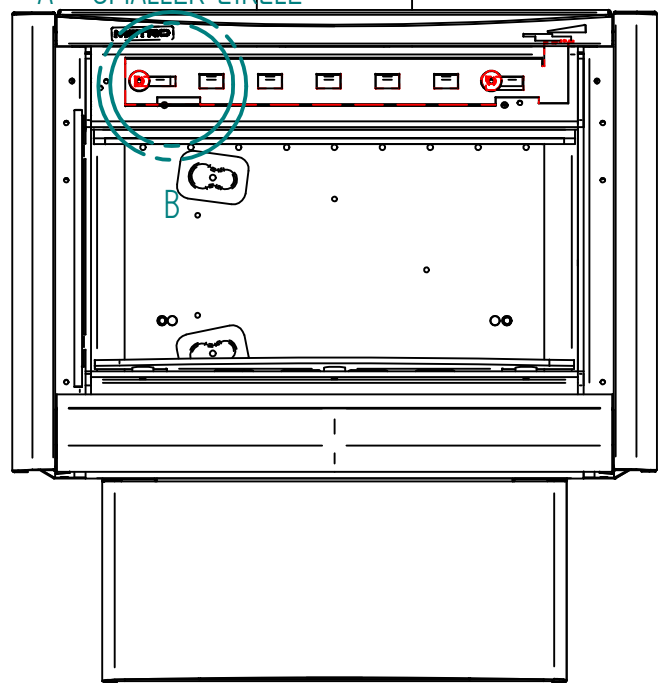
**MMP - LTD MEGA PED
HI-LOW AIRSLIDE SETTINGS**



DETAIL B

LOW SETTING STOP POSITION

8,0 TYP OPENING

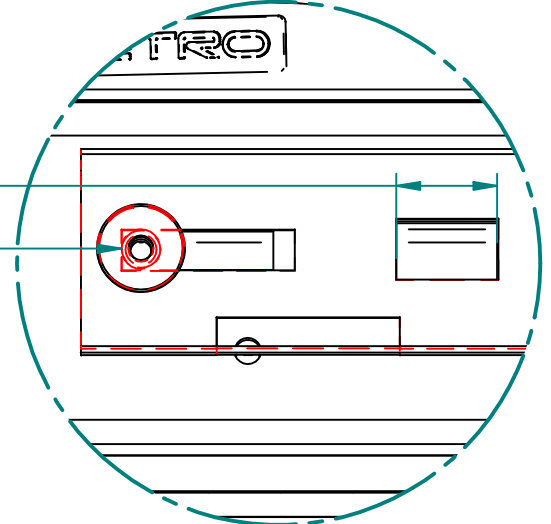


A = SMALLER CIRCLE

B

24,8 TYP OPENING

HIGH SETTING STOP POSITION



DETAIL A = SMALLER CIRCLE

Weight = 0.000 kg

METAL FAB INDUSTRIES LTD
38 HARRIS ROAD, EAST TAMAKI, AUCKLAND, NEW ZEALAND
Ph 09 274 8265, Fax 09 274 8472, Email : engdept@metalfab.co.nz

Customer :	Drawing No:	Drawn : Draw4	Date : 09-Jun-06	Chk'd By :
		Modified : leonk	Date : 30-Oct-06	
Part Name:		Material :		Finish : Name?;Finish