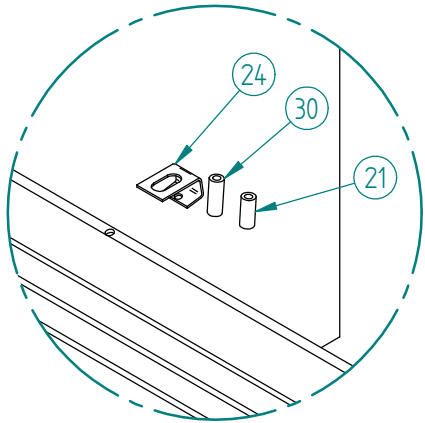
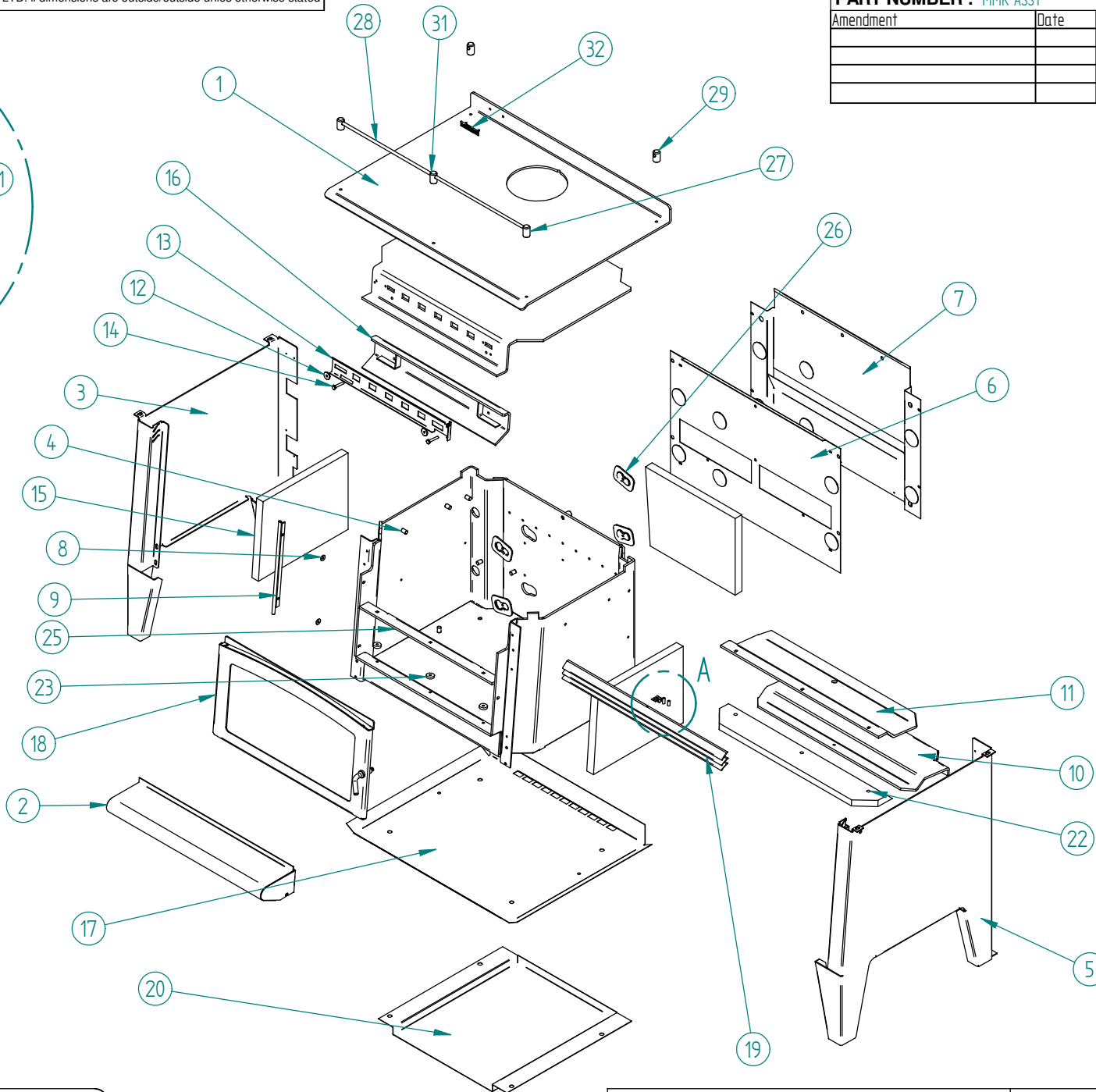


Amendment	Date	By

Tolerances Unless Specified	
Decimal Places 0	+/- 0.5
0.0	+/- 0.1
0.00	+/- 0.05



DETAIL A



Weight = 0.000 kg

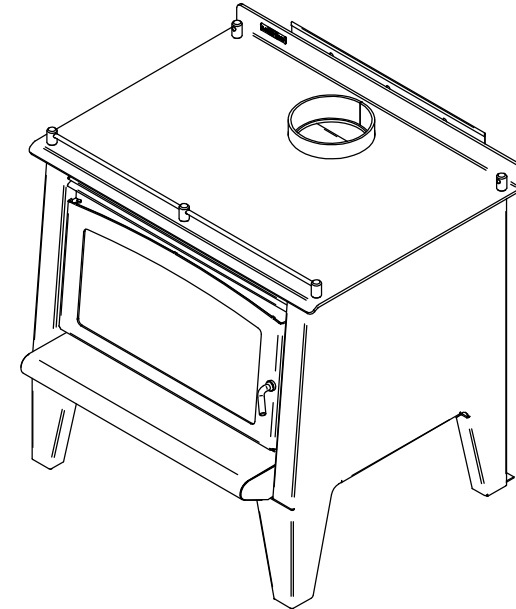
**METAL FAB INDUSTRIES LTD**  
 38 HARRIS ROAD, EAST TAMAKI, AUCKLAND, NEW ZEALAND  
 Ph 09 274 8265, Fax 09 274 8472, Email : engdept@metalfab.co.nz

Customer : METRO	Drawing No:	Date : 12/07/05	Drawn By: DL	Checked By :
Part Name : MMR ASSEMBLY	Material :	Finish : Natural		

Amendment	Date	By

Tolerances Unless Specified  
 Decimal Places 0 +/- 0.5  
 0.0 +/- 0.1  
 0.00 +/- 0.05

Item Number	Document Number	Title	Material	Quantity
1*	MMRAC004	MMR FIREBOX ASSEMBLY		1
2	ARDAC011	ARD ASHSHELF		1
3*	MMR00006	MMR SIDE PANEL L/H	COLD ROLL 2.5mm	1
4	MET00075	MET BRICK RETAINER PIN	10MM BMS FREE MACHINING	12
5*	MMR00007	MMR SIDE PANEL R/H	COLD ROLL 2.5mm	1
6*	MMR00038	MMR REAR HEAT SHIELD	ZINTEC 1.0MM	1
7*	MMR00012	MMR REAR HEAT SHIELD	ZINTEC 1.0MM	1
8	F-1_4X5_8-FW-BLK	FLAT WASHER 5 MM	Purchased	2
9*	MSPAC190	MSP HINGE COMPLETE		1
10*	MMR00114	MMR BAFFLE REAR	Hot Rolled 6.0mm	1
11*	MMR00109	MMR BAFFLE FRONT	Hot Rolled 6.0mm	1
12	MIC00083	LOGAIRE METRO AIR SLIDE SPACER	7/8" BMS FREE MACHINING	2
13	ARD00036	ARD AIRSLIDE	COLD ROLL 1.6mm	1
14	F-M6X35-HB-SC-ZP	BOLT M6 x 35 ZP	Purchased	2
15	MET00354	METRO CONCRETE BRICK	CONCRETE BRICK	3
16	MEXAC102	XTREME AIR DEFLECTOR SUBASSEMBLY		1
17*	MMR00176	MMR BASE HEAT SHIELD	Zintec 1.0 mm	1
18	ARDAC730	ARD FINISHED DOOR ASSEMBLY		1
19*	ARD00017	ARD ALUMINIUM LOUVRE(SUPPLIED BY PIONEER)	ALUMINIUM	3
20*	MMR00175	MMP INNER BASE HEATSHIELD	Zintec 1.0 mm	1
21*	MSP00344	LOUVRE SPACER - LONG	steel	1
22*	MMR00741	MMR PROMATE PANEL	Promate	1
23*	MSP00194	MSP ASH DEFLECTOR SPACER	Hot Rolled 6.0mm	3
24*	ARD00014	ARD LOUVRE BRACKET	Zintec 1.0mm	1
25*	MMR00101	MMR ASH DEFLECTOR	Hot Rolled 6.0mm	1
26	MET00135	MET WETBACK COVER PLATE	Hot Rolled 3.0 mm	4
27*	ARD00701	ARD RAIL CORNER BUSH	steel	2



Item Number	Document Number	Title	Material	Quantity
28	ARD00704	ARD00704 RAIL	MILD STEEL	1
29	ARD00700	ARD RAIL END BUSH	steel	2
30*	ARD00344	LOUVRE SPACER - LONG	Steel	1
31	ARD00702	ARD RAIL THROUGH BUSH	steel	1
32*	MET00740	METRO BADGE	Purchased	1

Weight = 0.000 kg

**METAL FAB INDUSTRIES LTD**  
 38 HARRIS ROAD, EAST TAMAKI, AUCKLAND, NEW ZEALAND  
 Ph 09 274 8265, Fax 09 274 8472, Email : engdept@metalfab.co.nz

Customer : METRO	Drawing No:	Date : 12/07/05	Drawn By: DL	Checked By :
Part Name : MMR ASSEMBLY		Material :	Finish : Natural	