

This drawing is the Property of METAL FAB INDUSTRIES LTD. If dimensions are outside/outside unless otherwise stated

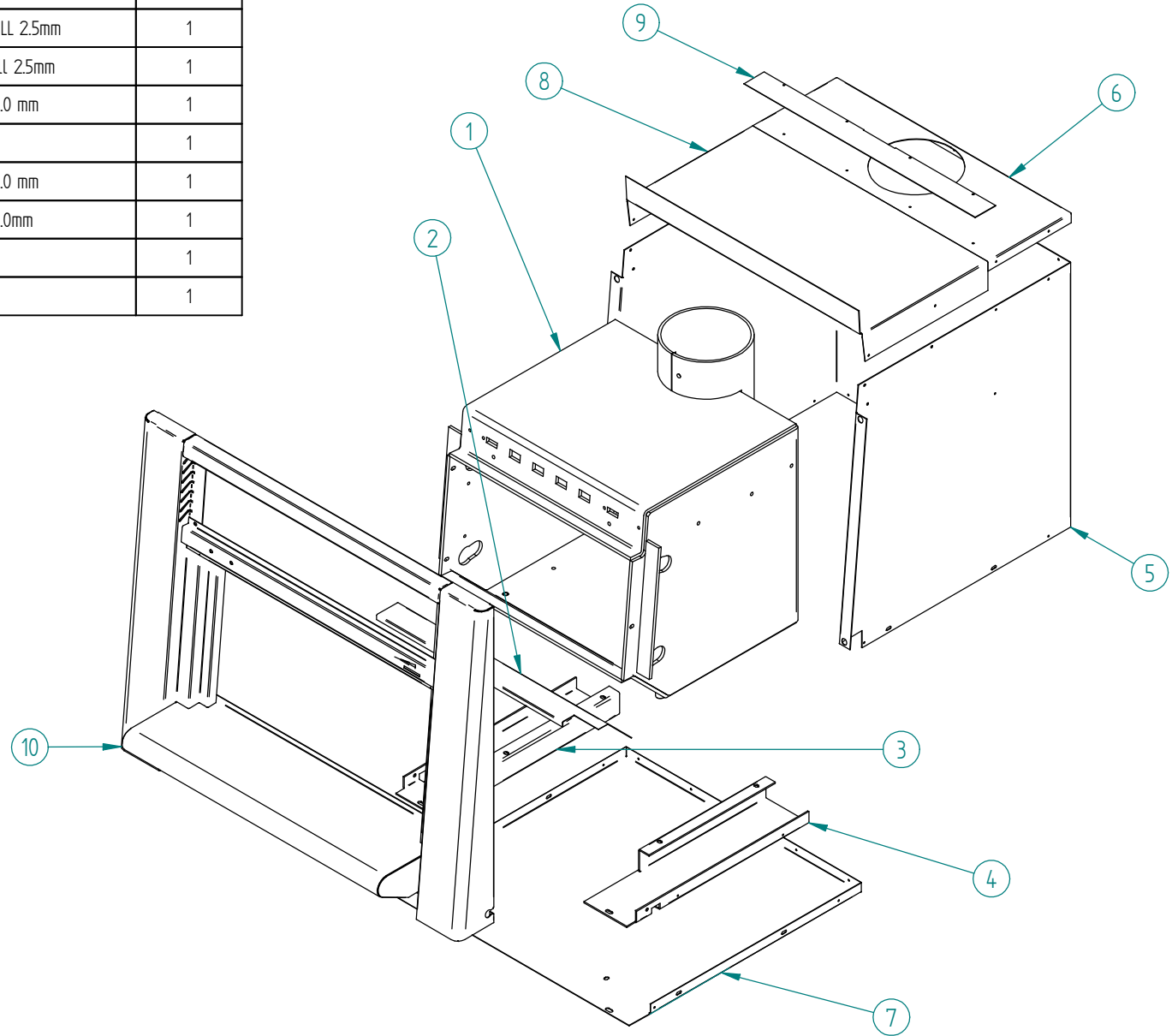
Item Number	Document Number	Title	Material	Quantity
1	MMIBAC004	MMIB FIRE BOX ASSY		1
2*	MMIB00176	BASE HEAT SHIELD	Zintec 0.8mm	1
3*	MMIB00132	MMIB MOUNT BRACKET L/H	COLD ROLL 2.5mm	1
4	MMIB00131	MMIB MOUNT BRACKET R/H	Cold Roll 2.5mm	1
5	MMIB00066	MMIB CABINET	Zintec 1.0 mm	1
6*	MIB00044	MIB TOP BACK HEATSHIELD	ZINTEC	1
7	MMIB00043	MMIB CABINET BASE	Zintec 1.0 mm	1
8*	MDH00045	MDH CAB FRONT TOP PANEL	Zintec 1.0mm	1
9	MIB00046	MIB JOINER PLATE	ZINTEC	1
10	FASCIA ASSY	MMVE FASCIA ASSEMBLY		1

PART NUMBER : MMVE ASSY

REVISION LEVEL :

Amendment	Date	By

Tolerances Unless Specified
 Decimal Places 0 +/- 0.5
 0.0 +/- 0.1
 0.00 +/- 0.05



Weight = 65.396 kg

METAL FAB INDUSTRIES LTD
 38 HARRIS ROAD, EAST TAMAKI, AUCKLAND, NEW ZEALAND
 Ph 09 274 8265, Fax 09 274 8472, Email : engdept@metalfab.co.nz

Customer : METRO	Drawing No:	Date : 14/07/05	Drawn By:moham	Checked By :
Part Name : MMVE ASSEMBLY	Material :	Finish :Natural		