

This drawing is the Property of METAL FAB INDUSTRIES LTD. All dimensions are outside/outside unless otherwise stated

Item Number	Document Number	Title	Material	Quantity
1	MSPAC004			1
2	MSPAC011	MSP ASH SHELF		1
3*	MSP00017	MSP LOUVRE	COLD ROLL	4
4	MSP00006	MSP L/H SIDE PANEL	ENAMEL	1
5	MIC00083	LOGAIRE METRO AIR SLIDE SPACER	7/8" BMS FREE MACHINING	2
6	MSP00039	MSP HEAT SHIELD LEFT	Zintec 1.0mm	1
7	MSP00040	MSP HEAT SHIELD LEFT	Zintec 1.0mm	1
8	MSP00007	MSP R/H SIDE PANEL	Enamel	1
9	MSPAC020	MSP PEDASTAL		1
10	MSP00175	MSP PEDESTAL HEAT SHIELD	Zintec 1.0mm	1
11	MSP00176	MSP BASE HEAT SHIELD	Zintec 1.0mm	1
12*	MSP00036	MSP AIR SLIDE	COLD ROLL	1
13*	MSP00003	MSP TOP GRILL	Enamel Q 1.2 mm	1
14	MSPAC016	MSP AIR SLIDE COVER		1
15	MSP00012	MSP REAR PANEL	Zintec 1.0mm	1
16*	MSP00194	MSP ASH DEFLECTOR SPACER	Hot Rolled 6.0mm	3
17*	MSP00101	MSP ASH DEFLECTOR	HOT ROLL 6.0mm	1
18	MSP00741	MSP PROMATE PANEL	PROMATE	1
19*	MSPAC102	MSP AIR DEFLECTOR		1
20*	FSFLATWSHR5MM	FLAT WASHER 5 MM	Purchased	2
21	MET00075	MET BRICK RETAINER PIN	10MM BMS FREE MACHINING	8
22	MSPAC190	MSP HINGE COMPLETE		1
23	MET00354	METRO CONCRETE BRICK	CONCRETE BRICK	2
24	HBA00129	HBA AIR DEFLECTOR SPACER	16MM BMS FREE MACHINING	2
25	FSBOLTM6X35ZP	bolt m6 x 35 zinc plated	Purchased	2
26*	MSP00109	MSP BAFFLE	Hot Rolled 6.0mm	1
27	MET00135	MET WETBACK COVER PLATE	Hot Rolled 3.0 mm	4
28*	METAC125	METRO MOUNT PLATE		1
29	MSPAC030	MSP RAD DOOR ASSEMBLY		1

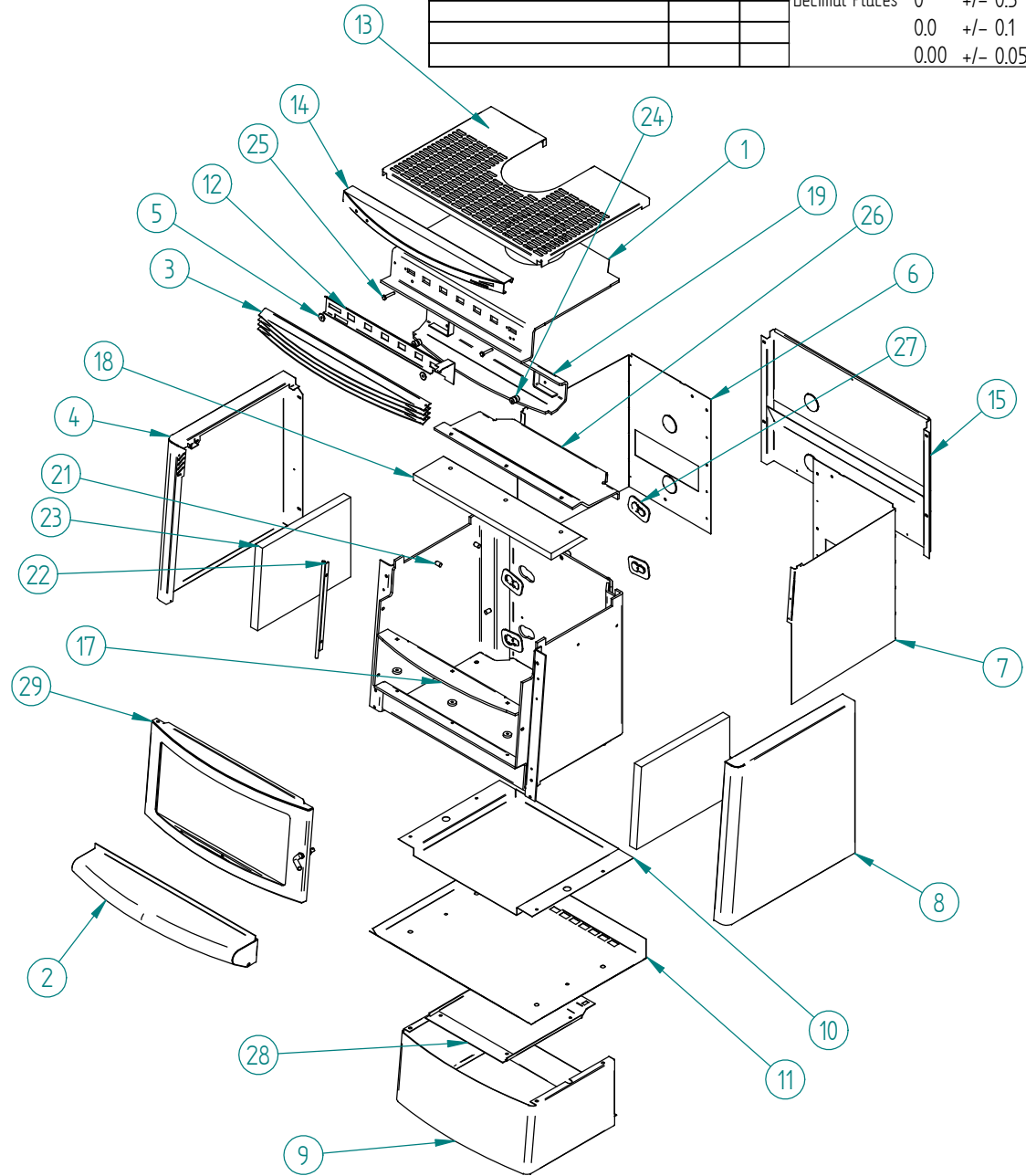
Weight = 0.000 kg

PART NUMBER : MSP ASSY

REVISION LEVEL :

Amendment	Date	By

Tolerances Unless Specified  
 Decimal Places 0 +/- 0.5  
 0.0 +/- 0.1  
 0.00 +/- 0.05



**METAL FAB INDUSTRIES LTD**  
 38 HARRIS ROAD, EAST TAMAKI, AUCKLAND, NEW ZEALAND  
 Ph 09 274 8265, Fax 09 274 8472, Email : engdept@metalfab.co.nz

Customer : METRO	Drawing No:	Date : 22/07/05	Drawn By: MR	Checked By :
Part Name : MSP ASSEMBLY		Material :	Finish : Natural	